

SC-F10000H Series

SC-F10000 Series

User's Guide

Copyrights and Trademarks

Copyrights and Trademarks

No part of this publication may be reproduced, stored in a retrieval system, or transmitted in any form or by any means, electronic, mechanical, photocopying, recording, or otherwise, without the prior written permission of Seiko Epson Corporation. The information contained herein is designed only for use with this Epson printer. Epson is not responsible for any use of this information as applied to other printers.

Neither Seiko Epson Corporation nor its affiliates shall be liable to the purchaser of this product or third parties for damages, losses, costs, or expenses incurred by the purchaser or third parties as a result of accident, misuse, or abuse of this product or unauthorized modifications, repairs, or alterations to this product, or (excluding the U.S.) failure to strictly comply with Seiko Epson Corporation's operating and maintenance instructions.

Seiko Epson Corporation shall not be liable for any damages or problems arising from the use of any options or any consumable products other than those designated as Original Epson Products or Epson Approved Products by Seiko Epson Corporation.

Seiko Epson Corporation shall not be held liable for any damage resulting from electromagnetic interference that occurs from the use of any interface cables other than those designated as Epson Approved Products by Seiko Epson Corporation.

EPSON and EPSON EXCEED YOUR VISION or EXCEED YOUR VISION and their logos are registered trademarks or trademarks of Seiko Epson Corporation.

Microsoft® and Windows® are registered trademarks of Microsoft Corporation.

Apple, Mac, and OS X are registered trademarks of Apple Inc.

Intel and Intel Core are trademarks of Intel Corporation or its subsidiaries.

Adobe, Illustrator, Acrobat, and Reader are either registered trademarks or trademarks of Adobe in the United States and/or other countries.

YouTube® and the YouTube logo are registered trademarks or trademarks of YouTube, LLC.

Firefox is a trademark of the Mozilla Foundation in the U.S. and other countries.

Chrome™ is trademarks of Google LLC.

General Notice: Other product names used herein are for identification purposes only and may be trademarks of their respective owners. Epson disclaims any and all rights in those marks.

© 2021 Seiko Epson Corporation.

Copyrights and Trademarks

Note for North American and Latin American Users

IMPORTANT: Before using this product, make sure you read the safety instructions in the online *Notices*.

Contents

Contents

Copyrights and Trademarks

Note for North American and Latin American Users.	3
---	---

Notes on Manuals

Meaning of Symbols.	6
Screenshots in This Manual.	6
Illustrations.	6
Manual Organization.	6
Viewing Video Manuals.	7
Viewing PDF Manuals.	7

Introduction

Printer Parts.	9
Front Section.	9
Ink supply unit.	12
Right view.	14
Inside.	16
Back.	18
Control panel.	20
Understanding and Operating the Display.	22
Home screen.	22
Menu screen.	30
Instructions screen.	31
Types of Buttons.	31
Notes on Usage and Storage.	33
Installation space.	33
Notes when using the printer.	33
Notes when not using the printer.	34
Notes on handling ink cartridges.	34
Handling Media.	35
Introducing the Supplied Software.	36
Using Epson Edge Dashboard.	39
Instructions for Starting.	39
Registering the Printer.	39
Checking and Managing the Printer's Status.	40
Downloading and Copying Media Settings of EMX File.	42
Editing Media Settings.	47
Exiting procedure.	48
Using Epson Edge Print.	49
Configuration of main screen.	49
Printing procedure.	52
Using media efficiently without waste (nested printing).	53

Printing repeating pattern (Step and Repeat)	56
Using LFP Accounting Tool.	59
Basic Settings.	59
Screen Layout.	63
Using EPSON Software Updater.	66
Checking software update availability.	66
Receiving update notifications.	66
How to Use Web Config.	66
Instructions for Starting.	66
Exiting procedure.	67
Uninstalling Software.	67

Basic Operations

Workflow for Optimal Printing.	68
Precautions When Handling Media.	68
Notes on Loading Media.	69
Loading media.	70
Using the Auto Take-up Reel Unit.	77
Important points for correct take-up.	77
Attaching the Roll Core.	78
Take-up with the Normal Feeding Procedure	81
Take-up with the Take-Up Feeding Procedure	83
Removing the Take-up Roll.	87
Setting Information Printing at Media Cut.	88
Cutting Media.	88
Removing Media.	89
Removing the Loaded Media.	89
When the Remaining Media Runs Out.	91
Before Printing.	92
Print Adjustments.	93
Automatic Adjustment.	93
Print Head Alignment.	93
Media Feed Adjustment.	94
Printable area.	97
Left and Right Edge Positions of Media.	97
Printable Area and Image Print Area.	98

Maintenance

When to Perform Various Maintenance Operations.	102
Cleaning.	102

Contents

Replacing Consumables.	104
Other maintenance.	104
What You'll Need.	106
Precautions regarding maintenance.	106
Cleaning.	107
Daily Cleaning.	107
Using Cleaning liquid.	110
Cleaning the media cleaners.	111
Cleaning anti-drying caps.	112
Cleaning suction caps.	115
Cleaning Around the Print Head.	116
Cleaning the inside light.	117
Cleaning the front cover.	118
Replacing Consumables.	119
Replacing Ink Cartridges.	119
Replace the wiper roll.	125
Disposing of Waste Ink.	127
Replacing the media holder.	128
Other maintenance.	133
Periodic shaking of ink cartridges.	133
Checking for clogged nozzles.	137
Print Head Cleaning.	138
Checking the circuit breaker's performance.	139
Disposal of used consumables.	141
Disposal.	141

Control Panel Menu

Menu List.	142
Details of the Menu.	152
General Settings menu.	152
Media Settings menu.	160
Maintenance menu.	167
Supply Status menu.	169
Replacement Part Information menu.	169
Printer Status menu.	169

Problem Solver

When a Message is Displayed.	170
When an Error Message is Displayed.	171
Troubleshooting.	173
You cannot print (because the printer does not work).	173
The printer sounds like it is printing, but nothing prints.	174
The prints are not what you expected.	174
Media.	176
Others.	178

Appendix

Options and Consumable Products.	179
Ink cartridges.	179
Others.	184
Supported Media.	185
Moving and Transporting the Printer.	185
Moving the Printer.	185
Transport.	195
How to use pressure roller spacers.	196
How to install spacers.	196
How to remove spacers.	197
Parallel Adjustments for the Auto Take-up Reel Unit.	198
Preparations for Parallel Adjustment.	198
How to Adjust.	198
Media Settings List for Each Media Type.	206
How to read the signal lamps.	209
System Requirements.	211
Epson Edge Dashboard.	211
Epson Edge Print.	212
Web Config.	213
Specifications Table.	214

Where To Get Help


Technical Support Web Site.	218
Contacting Epson Support.	218
Before Contacting Epson.	218
Help for Users in North America.	219
Help for Users in Latin America.	219
Help for Users in Europe.	220
Help for Users in Taiwan.	220
Help for Users in Australia/New Zealand.	221
Help for Users in Singapore.	221
Help for Users in Thailand.	221
Help for Users in Vietnam.	222
Help for Users in Indonesia.	222
Help for Users in Hong Kong.	222
Help for Users in Malaysia.	223
Help for Users in India.	223
Help for Users in the Philippines.	223


Notes on Manuals

Notes on Manuals


Meaning of Symbols

 Warning:	Warnings must be followed to avoid serious bodily injury.
---	---

 Caution:	Cautions must be followed to avoid bodily injury.
---	---

 Important:	Important must be followed to avoid damage to this product.
---	---

Note:	Notes contain useful or additional information on the operation of this product.
--------------	--

	Indicates related reference content.
---	--------------------------------------

Screenshots in This Manual

- The screenshots in this manual may differ slightly from the real screens.
- The screenshots of the control panel in this manual are set to have **Black** backgrounds.

Illustrations

- The illustrations in this manual are of the SC-F10000 Series, unless otherwise specified.
- The illustrations in this manual may differ slightly from the model you are using.

Manual Organization

North America

To view user manuals, visit:

SC-F10070H:

- www.epson.com/support/f10070h (U.S.)
- www.epson.ca/support/f10070h (Canada)

SC-F10070:

- www.epson.com/support/f10070 (U.S.)
- www.epson.ca/support/f10070 (Canada)

Latin America

To view user manuals, visit:

SC-F10070H:

- www.latin.epson.com/support/f10070h (Caribbean)
- www.epson.com.br/suporte/f10070h (Brazil)
- www.latin.epson.com/soporte/f10070h (other regions)

SC-F10070:

- www.latin.epson.com/support/f10070 (Caribbean)
- www.epson.com.br/suporte/f10070 (Brazil)
- www.latin.epson.com/soporte/f10070 (other regions)

Other Regions

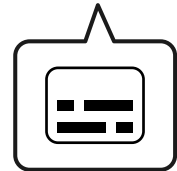
The manuals for the product are organized as shown below.

You can view the PDF manuals using Adobe Acrobat Reader or Preview (Mac).

Notes on Manuals

Start-Up Guide (booklet)	This manual explains the safety precautions and the work involved with connecting the printer and the computer and installing software. Make sure you read this manual to perform operations safely.
User's Guide (Excerpt) (PDF)	This manual explains the necessary basic operations and maintenance for daily use.
Online Manuals	
User's Guide (PDF)	This manual explains how to use the printer.
Troubleshooting & Tips	This manual provides frequently asked questions and tips on using the printer.
Epson Video Manuals	These videos show you how to load media and perform maintenance.
Network Guide (PDF)	This manual provides information on using the printer over a network.

If the subtitles are not displayed when you play the video, click the subtitles icon shown in the image below.



Viewing Video Manuals

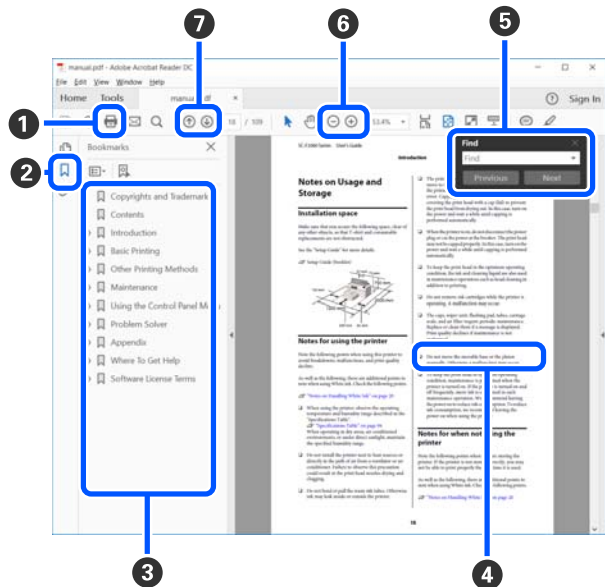
The video manuals have been uploaded to YouTube.

Click [Epson Video Manuals (video)] on the top page of the *Online Manual*, or click the following blue text to view the manuals.

[Video Manual](#)

Viewing PDF Manuals

This section uses the Adobe Acrobat Reader DC as an example to explain the basic operations for viewing the PDF in Adobe Acrobat Reader.



- 1 Click to print the PDF manual.
- 2 Each time it is clicked the bookmarks are hidden or shown.

Notes on Manuals

- ③ Click the title to open the relevant page.

Click [+] to open the titles lower in the hierarchy.

- ④ If the reference is in blue text, click the blue text to open the relevant page.

To return to the original page, do the following.

For Windows

While pressing the Alt key press the ← key.

For Mac

While pressing the command key press the ← key.

- ⑤ You can input and search for keywords, such as the names of items you want to confirm.

For Windows

Right click on a page in the PDF manual and select **Find** in the menu that is displayed to open the search toolbar.

For Mac

Select **Find** in the **Edit** menu to open the search toolbar.

- ⑥ To enlarge the text in the display that is too small to see well, click ⊕ . Click ⊖ to reduce the size. To specify a part of an illustration or screenshot to enlarge, do the following.

For Windows

Right click on the page in the PDF manual and select **Marquee Zoom** in the menu that is displayed. The pointer changes to a magnifying glass, use it to specify the range of the place you want to enlarge.

For Mac

Click **View** menu - **Zoom** - **Marquee Zoom** in this order to change the pointer to a magnifying glass. Use the pointer as a magnifying glass to specify the range of the place you want to enlarge.

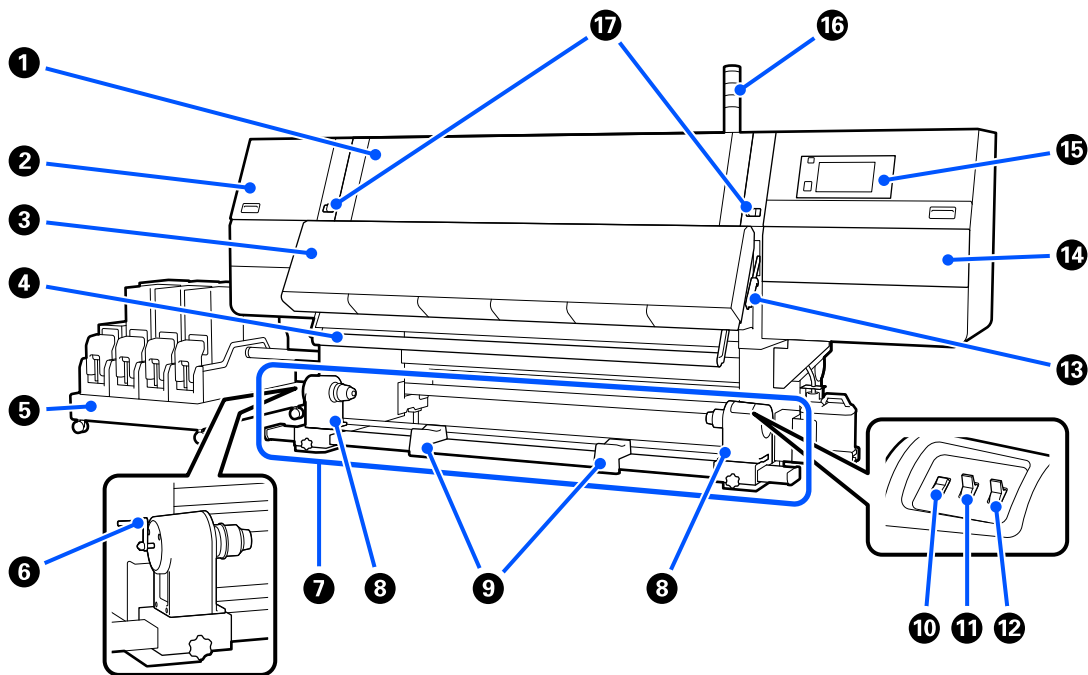
- ⑦ Opens the previous page or next page.

Introduction

Printer Parts

Illustrations of the SC-F10000 Series are used for these explanations.

Front Section



1 Front cover

Open when loading media, cleaning the inside of the printer, or removing jammed media. This is normally closed and locked when using the printer.

2 Maintenance cover (left)

Open this cover to clean the area around the caps. This is normally closed when using the printer.

 [“Cleaning anti-drying caps” on page 112](#)

3 Dryer

The built-in heater and fan quickly dry the ink after printing while circulating the air and maintaining the set temperature.

It is also possible to turn off the heater and operate only the fan. (Fan)

 [“Media Settings screen” on page 27](#)

Introduction

4 Media guide bar

The bar maintains tension to prevent the media sagging as it is taken up.

5 Ink supply unit

Supplies the printer with ink from the ink cartridges. Holds two ink cartridges for each color.

6 Handle

After placing the roll core on the left media holder, rotate the handle and press the media holder into the roll core.

7 Auto Take-up Reel Unit

Automatically takes up printed media.

8 Media holder

Place the roll core for media take-up on these holders. The same parts are on both the left and the right sides.

 [“Using the Auto Take-up Reel Unit” on page 77](#)

9 Roll support

Rest media temporarily on these supports when removing the take-up roll. The same parts are on both the left and the right sides.

10 Media feed switch

Feeds/rewinds the media. Because the media feed switch has the same function as the media feed button in the control panel, you can operate whichever is the easiest to use in your situation. See the explanation for the media feed button for details about functions.

11 Auto switch

Use this switch to select the auto take-up direction. Choose Off to disable auto take-up.

12 Manual switch

Use this switch for manual take up. The selected option takes effect when the Auto switch is in the Off position.

13 Media loading lever


After loading media, lower the media loading lever to keep the media in place. Raise the lever to release the media prior to removal.

Since there is also a media loading lever on the back, you can operate whichever is the easiest to use in your situation.

14 Maintenance cover (right)

Open this cover to clean the area around the print head and the replacement for the wiper roll. This is normally closed when using the printer.

 [“Replace the wiper roll” on page 125](#)

 [“Cleaning Around the Print Head” on page 116](#)

Introduction

15 Control panel

 [“Control panel” on page 20](#)

16 Signal lamps

Lamps light or flash in 3 colors to notify you of the status of the printer. Basically, the meaning of the lamps' colors are as follows.

The color of the lamps, in order from top to bottom, are red, yellow, and green.



Red : Printing is not possible due to an error.

Yellow : Printer is operating, such as when there is a notification message or the printer is paused or doing maintenance.

Green : Printing is possible and the printer is either printing or ready to print.

The printer notifies you about its status in detail with a combination of the lamps' colors and lighting/flashing.

See the following for an explanation of the signal lamp.

 [“How to read the signal lamps” on page 209](#)

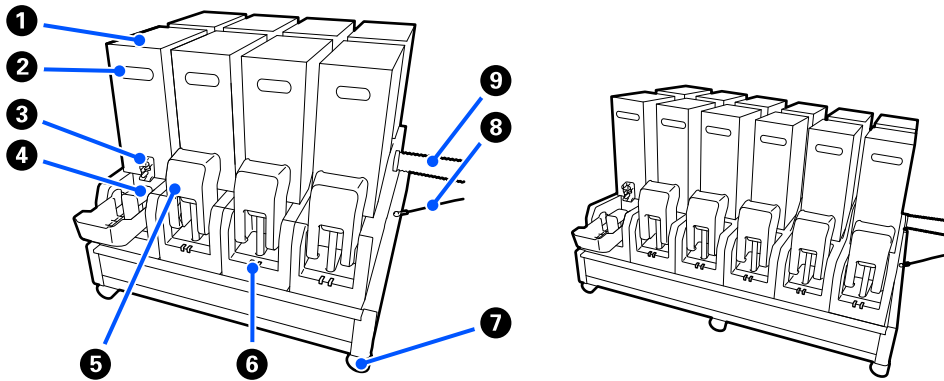
17 Lock levers

The same parts are on both the left and the right sides. When the front cover is open, the left and right levers move outwards to release the lock. After the front cover is closed, the levers move inward to lock the front cover.

Introduction

Ink supply unit

The SC-F10000H Series holds a total of 12 ink cartridges.



1 Ink cartridges

Two ink cartridges for each color are inserted. Normally, one ink cartridge continues to be used. Once the ink cartridge is expended, the printer automatically switches to the other ink cartridge. As a result, even if ink is expended during printing, the ink cartridge can be replaced without interrupting printing. You can also manually switch ink cartridges when you want to switch and use them depending on the intended use. The switching operation is done from the Home screen.

 [“Home screen” on page 22](#)

Ink cartridges are available in 2 volumes, 10 L and 3 L, so use them accordingly depending on the intended use. You can also mix different volumes and install them.

2 Handle

Grasp this with your hand to hold the ink cartridge. With new products, the holes are shut, so open the holes by pressing them with your hand. There are 4 places on the sides of 10 L ink cartridges, and 2 places on the top of 3 L ink cartridges.

3 Ink supply outlet

Ink from the ink cartridge comes out of here. Pull this out from inside the new ink cartridge, and then insert the ink cartridge.

4 Connector

Attach this to the ink supply outlet, and then connect the ink supply unit and the ink cartridge.

5 Cartridge cover

Prevents accidental contact with the ink cartridge's connector. Normally, this is raised when using the printer.

6 Cartridge check lamp

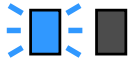
Lights or flashes in 2 colors to notify you of the status of the ink cartridge that is inserted. The color of the lamp on the left side is blue and the color of the lamp on the right side is orange.

Introduction



Left side (blue) is lit

Ink is being supplied to the printer. Do not remove the ink cartridges.



Left side (blue) is flashing

It is time to shake the ink cartridges. Remove the ink cartridges and shake them.

 [“Periodic shaking of ink cartridges” on page 133](#)



Right side (orange) is lit

An error or warning occurred. Check the details of the error or warning on the control panel's screen.



Entire right side (orange) is flashing

An error that cannot be cleared has occurred. Check the details of the error on the control panel's screen. Turn the power for the printer off, and then turn it back on.

If the error persists even after turning the power off and on, call for service.



Off

No error. The ink cartridge can be removed, if necessary.

7 Casters

There are 6 (SC-F10000H Series) or 4 (SC-F10000 Series) casters on the legs. Always lock these when using the printer.

8 Ink supply unit wire

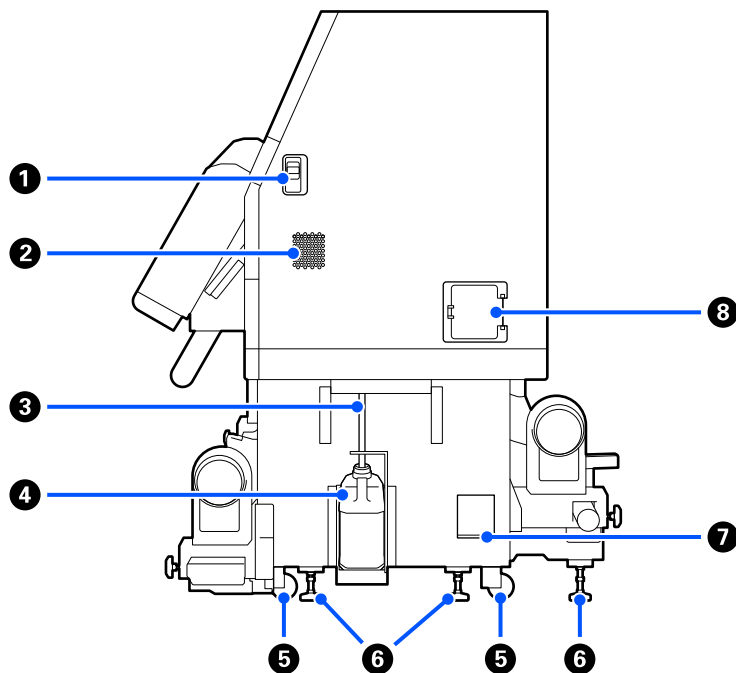
Use with the wire as connected. If you move the ink supply unit while connected to the printer, without connecting them with the wire, the ink supply tube may be damaged.

9 Ink supply tube

Supplies the printer with ink from the ink cartridges.

Introduction

Right view

**1 Lock release levers**

Releases the maintenance cover's locks. The same parts are on both the left and the right sides. When opening the maintenance cover, open it while lowering the levers. The maintenance cover will automatically lock when shut.

2 Airflow vents

Allows air to flow into the printer. There are multiple airflow vents. Do not obstruct any of the airflow vents.

3 Waste ink tube

Tubes for ejecting waste ink. Be sure the end of this tube is in the Waste Ink Bottle while the printer is in use.

4 Waste Ink Bottle

Waste ink collects in this bottle.

Replace it with a new Waste Ink Bottle when a message is displayed on the control panel prompting you to do so.

 [“Disposing of Waste Ink” on page 127](#)

5 Casters

There are two casters on each leg.

Introduction

6 Levelers

When installing, check the level gauge, use the levelers to adjust the printer to be level, and then fix the printer in place. Install metallic plates on the bottom to distribute the load.

Keep the printer level after moving it.

 [“Moving and Transporting the Printer” on page 185](#)

7 Level gauge

Check the horizontal level of the printer.

8 Circuit breaker

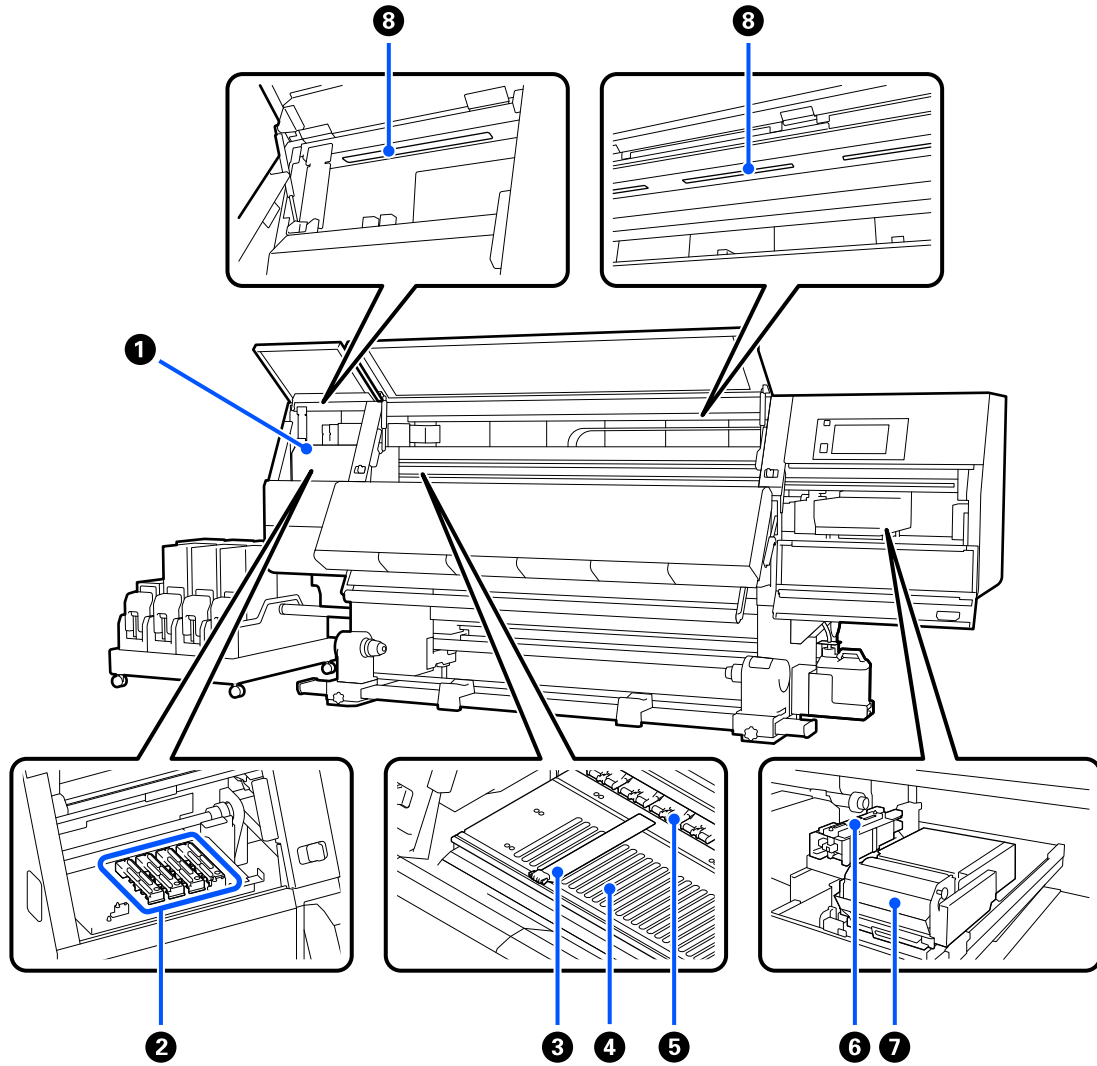
If an electric current caused by a short circuit is detected, the circuit is automatically cut off to prevent electric shock. Always keep the breaker switch ON while using the printer. Check the circuit breaker's performance about once a month.

 [“Checking the circuit breaker's performance” on page 139](#)

Introduction


Inside

When the following parts become dirty, they may cause problems with the print results. Regularly clean or exchange these parts as described in the chapters listed in the reference sections below or by following the messages on the screen.



1 Print head

The print head prints by moving left and right while emitting ink. When print results are dirty, check for dirt stuck to the print head and clean it, if necessary.

 [“Cleaning Around the Print Head” on page 116](#)

Introduction

2 Anti-drying caps

There is a row of 6 on the SC-F10000H Series and 4 on the SC-F10000 Series.

Except during printing, these caps cover the print head nozzles to prevent them drying out. Depending on the dirtiness, a message about cleaning appears on the control panel's screen. Clean according to the message.

 [“Cleaning anti-drying caps” on page 112](#)

3 Media edge plates

The media edge plates prevent the media riding up and keeps fibers on the cut edge of the media from touching the print head. Position the plates at either side of the media before printing.

 [“Loading media” on page 70](#)

4 Platen

This suction and fixes the media for smooth printing and media feeding.

 [“Daily Cleaning” on page 107](#)

5 Pressure rollers

These rollers press down on the media during printing.

6 Suction cap

Ink is drawn out from the print head's nozzle with this cap.

Clean the suction caps before doing Print Head Refresh.

 [“Cleaning suction caps” on page 115](#)

7 Wiper unit

The wiper removes ink from the surface of the print head nozzles. The wiper roll that is loaded on the wiper unit is a consumable item. Replace when a message is displayed on the control panel prompting you to do so.

 [“Replace the wiper roll” on page 125](#)

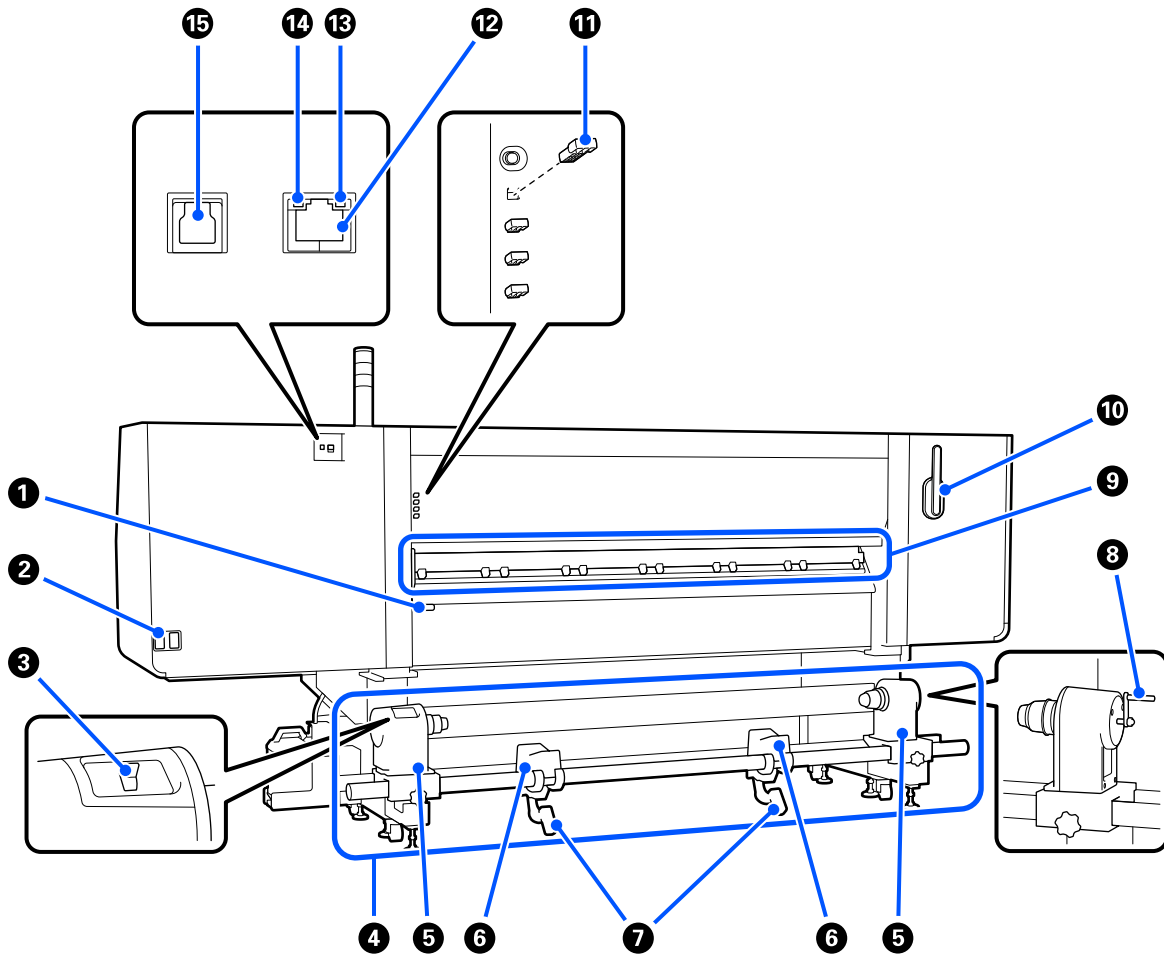
8 Internal lamp

Illuminates the inside of the printer to make it easy to check print results and areas for maintenance. If the surface becomes dirty due to ink mist, clean it.

 [“Cleaning the inside light” on page 117](#)

Introduction

Back



1 Media loading lever

After loading media, lower the media loading lever to keep the media in place. Raise the lever to release the media prior to removal.

Because this media loading lever has the same function as the media loading lever on the front of the printer, you can operate whichever is the easiest to use in your situation.

2 AC inlet #1/AC inlet #2

Connects the power cable. Be sure to connect both cables.

3 Drive switch

The drive switch can be used to slacken media while loading it and to take up cut media while replacing it.

4 Media Feeding Unit

Loads media to be used for printing.

See the following for supported media.

[“Supported Media” on page 185](#)

Introduction

5 Media holder

Place media on these holders. The same parts are on both the left and the right sides.

6 Roll support

Rest media on these supports before placing it on the media holders. The same parts are on both the left and the right sides.

7 Lift lever

If the media to be mounted on the media holders seems heavy, use these levers to raise the media easily to the level of the media holders. The same parts are on both the left and the right sides.

8 Handle

After placing media on the right media holder, rotate the handle and press the media holder into the roll core.

9 Media cleaner

Wipes off any lint or dust on the media when the media is being fed. If a message appears on the control panel's screen, use the supplied media cleaner brush for cleaning.

 [“Cleaning the media cleaners” on page 111](#)

10 Media cleaner brush

Dusts off the dirt on the surface of the media cleaner.

Since the brush's surface has a direction in which to wipe, move it in the direction that wipes off the dirt. You can switch the direction in which to wipe. If you are not using the media cleaner brush, store it by hanging it on the hooks on the back of the printer.

11 Presser roller spacer

This part fixes the pressure rollers in the open position. Pressure rollers that have spacers inserted do not apply pressure to the media, even when the media loading lever is lowered. If you use the presser roller spacer when wrinkles occur on the media end, the wrinkles may be improved.

If you are not using the presser roller spacer, store it by inserting it into its original place.

 [“How to use pressure roller spacers” on page 196](#)

12 LAN port

Connects the LAN cable. Use a shielded twisted pair cable (category 5e or higher).

13 Data lamp

The data lamp lights or flashes to indicate the network connection status and whether the printer is receiving data.

On : Connected.

Flashing : Connected. Receiving data.

Introduction

14 Status lamp

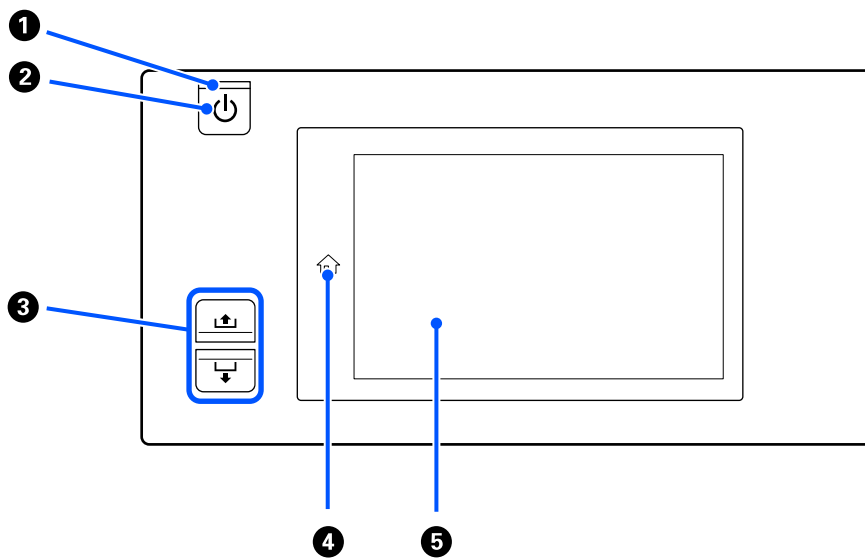
The color indicates the network's communication speed.

Green : 1000Base-T

15 USB port

Connects the USB cable.

Control panel



1 ⏻ light (power light)

The printer's operational status is indicated by a lit or flashing light.

On : The power is on.

Flashing : The printer is receiving data or performing head cleaning or other operations during shut-down.

Off : The power is off.

2 ⏻ button (power button)

Turns the power on and off.


3 Media feed button

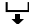
The operations when the button is pressed differ depending on the media loading lever's status.


- Lever is lowered

The following operations are done, regardless of the loaded media's winding specifications.

Introduction

 button: Rewinds the media.


 button: Feeds the media.


When the  button is used to rewind, the media will stop when its edge reaches the print start position.

Rewind can be resumed by releasing the button and then pressing it again.

- Lever is raised

The loaded media is rotated in the following directions.

 button: For printable side out, the rewind direction; for printable side in, the feed direction

 button: For printable side out, the feed direction; for printable side in, rewind direction

If you take up media with the lever raised, it may rotate in the feed direction.

 [“Loading media” on page 70](#)

You can also do the same operation with the Auto Take-up Reel Unit's media feed switch. Operate whichever is the easiest to use in your situation.

4 **button (Home button)**

Press this while it is lit when the settings menu, or other such screens, is displayed to return to the Home screen.

If the Home button cannot be used during operation, the lamp turns off.

5 **Display**

This is a touch panel that displays the printer's status, menus, and error messages. You can use your fingers to lightly press and select menu items and options shown on the screen, or to move your finger while still touching the screen to scroll the screen.

 [“Understanding and Operating the Display” on page 22](#)

Introduction

Understanding and Operating the Display

Screenshots for the SC-F10000 Series are used for these explanations.

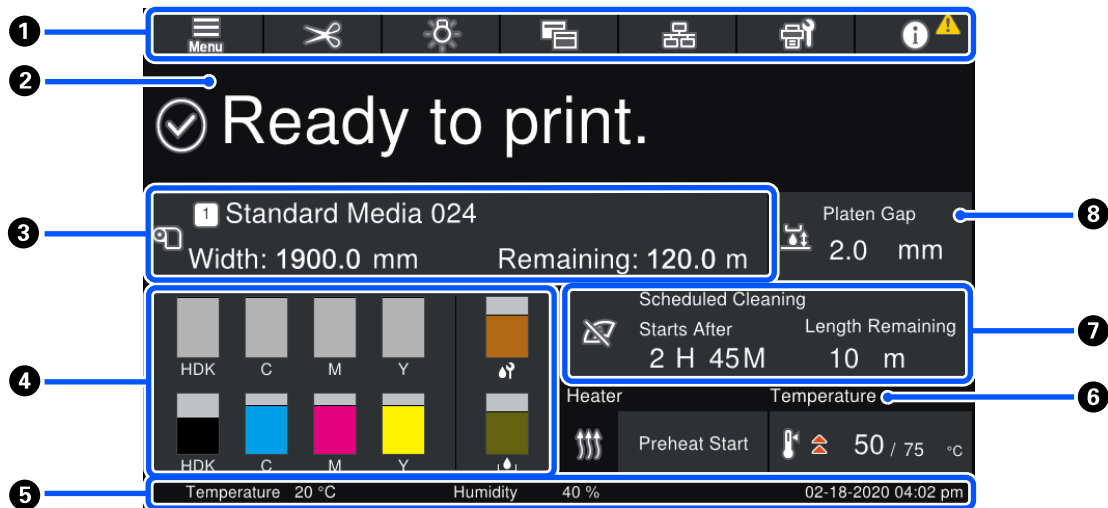
This chapter describes how to understand and operate the screen layout, using the Home screen, Menu screen, and the display for operating procedures screen as an example.

Home screen

On the Home screen, you can switch between the Status Display screen and the Media Settings screen by pressing the display switching button.

Status Indicator screen

The printer's status can be listed.



1 Header

Displays the buttons for frequently-used functions. The functions of the buttons are shown below. The header also appears similarly on other screens.



Menu

Displays the Settings menu.

[“Control Panel Menu” on page 142](#)



Cutting Media

Feeds the media to the cut position when printing is complete and when media has been replaced.

[“Cutting Media” on page 88](#)

Introduction



Internal lamp

Switches the internal lamp on or off. The display changes as follows, depending on the status.



On



Off

Setting **Auto** for **Inside Light** in the Printer Settings, turns the light on automatically when operations that need light are done, such as while printing, and turns it off when the operation is complete.

However, it may not come on, depending on the condition of the printer. In these cases, the button changes to gray.

 [“General Settings menu” on page 152](#)



Switch View

Switches the Status Indicator screen and Media Settings screen.




Switch Connection Status

Changes the Online/Offline state of the computer connected to the printer. Change this when necessary, such as changing it to Offline so print jobs are not received while doing printer maintenance.





Maintenance

The Maintenance menu appears on this screen and you can do such maintenance as print head maintenance and replacement of consumables.

 [“Maintenance menu” on page 167](#)



Information

Displays the Printer Status. If there are any notifications, such as about running low on consumables, the  icon appears at the top right of the screen. The display that appears when you press the button displays a **Message List** for matters not yet handled. Instructions appear if you press the items, so follow the directions to resolve any issues. Once everything is resolved, the  icon disappears.

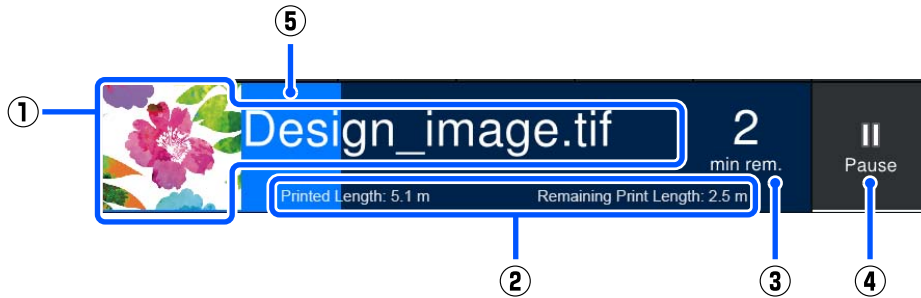
2 Messages

Displays the printer's status and messages that give instructions.

 [“When a Message is Displayed” on page 170](#)

Introduction

During printing, the display switches, as seen in the illustration, and shows the following information and buttons.



- (1) File name and thumbnail of image being printed

A thumbnail image may not be shown, depending on the type of RIP being used.

- (2) The media's Printed Length, the media's Remaining Print Length, Time until media replacement, and Pass Mode

Pressing the display area while printing displays the screen to set the display details for (2). Select up to 2 items that you want to display.

The Time until media replacement shows an estimated time.

- (3) Estimate of remaining printing time

- (4) Pause (Suspend) button

Appears as the Start button while warming up, until the heater reaches the set temperature. Pressing this button starts printing, even if the heater temperature is low.

- (5) Progress bar

Pausing printing and canceling print jobs


Pressing the Pause button while printing displays a screen for selecting the timing to suspend, press one to select it.

- Immediate pause:** Stops printing immediately. When printing is stopped during a print job, printing may be disturbed when printing is resumed.
- Pause between pages:** Stops at the end of the page currently printing.

Pressing **Resume** in the screen during a pause cancels the pause status. Pressing **Cancel** cancels the print job in progress and stops printing.

3 Media info

Introduction

Displays information about the media that is loaded. The number indicates the media setting number. When the remaining amount of media goes below the value set in the **Remaining Alert** in the Media Settings menu,  appears. Press the display area to show the Media Settings menu.

 [“Media Settings menu” on page 160](#)

4 Information on consumables

Information regarding consumables, such as ink cartridges, are displayed using the following icons and bar lengths.



Ink cartridge status

Displays the approximate level of remaining ink and the current status. If the amount of ink runs low, the bar becomes shorter.

The code at the bottom of the bar display indicates the ink color. The bar at the bottom indicates the front ink cartridge, while the bar at the top indicates the back ink cartridge.

SC-F10000H Series

FP : Fluorescent Pink

FY : Fluorescent Yellow

LC : Light Cyan

LM : Light Magenta

HDK : High Density Black

C : Cyan

M : Magenta

Y : Yellow

SC-F10000 Series

HDK : High Density Black

C : Cyan

M : Magenta

Y : Yellow

The display changes, as shown below, if a warning or error occurs.



The amount of ink is estimated to be low. Once the ink cartridge is expended, the printer automatically switches to the other ink cartridge.

Confirm that a new ink cartridge is installed on the other side.

Introduction



- ❑ Ink is expended. Replace the old ink cartridge with a new one.
- ❑ More than 30 minutes has elapsed since the ink cartridge connector was disconnected. Immediately connect the connector, if it is left the way it is, the ink will dry out and the printer may not function normally.



It is time to shake the ink cartridges. Remove the ink cartridges and shake them.



An ink cartridge's connector is disconnected. Insert the ink cartridge and connect the connector correctly.



Confirm that all of the cartridge covers are upright, and then follow the on-screen instructions.



Waste Ink Bottle status

Displays the approximate amount of space available in the Waste Ink Bottle. If the amount of space decreases, the bar becomes shorter.

The display changes, as shown below, if a warning occurs.



The Waste Ink Bottle is almost full. Ready a new Waste Ink Bottle.



Wiper Roll status

Displays the guideline for replacement of the wiper roll. As the time for replacement gets closer, the bar becomes shorter.

The display changes, as shown below, if a warning occurs.



The wiper roll will need to be replaced soon. A new wiper roll needs to be prepared.

Pressing the display area shows the Supply Status screen and you can check the part numbers for consumables. You can also switch the ink cartridges to be used. (Changing the active slot)

To change the ink cartridge, press the bar display of the one you are not using, confirm the on-screen message, and then press **Start**.

5 Footer

Displays the current date and time and the temperature and humidity around the printer. If the temperature and humidity are out of range for the printer's operating environment,  appears. For high-quality printing, use the printer within the range of the printer's operating environment. The footer also appears similarly on other screens.

6 Dryer information

Introduction

Displays the dryer's Preheat Start button and temperature. Press the Preheat Start button when you want to start preheating before receiving a print job after the printer returns from sleep mode. Pressing the display area for temperature displays the Settings screen.

The value on the right indicates Set, and the value on the left indicates Current. If the current temperature does not reach the set value, the following icons are displayed depending on the situation.



Heating



Cooling

7 Notice on when to do maintenance or periodic cleaning

Displays a notice, in the following situations, about when to do Maintenance Cleaning* on the left and when to do Periodic Cleaning on the right. For Periodic Cleaning, either Print Duration, Print Page, or Print Length appears, according to the settings.

- Maintenance Cleaning: 24 hours in advance
- Periodic Cleaning (Print Duration): 1 hour in advance
- Periodic Cleaning (Print Length): 20 m in advance
- Periodic Cleaning (Print Page): 20 pages in advance

The times these are done change greatly depending on the ambient temperature of the print heads. In addition, Maintenance Cleaning may be done regardless of the notice display when the power is turned back on.

Pressing the display area shows the screen for cleaning in advance. If you want to print when it is almost time to implement cleaning, implementing cleaning in advance is effective at preventing printing from being interrupted midway.

* Maintenance Cleaning is head cleaning that the printer automatically does, after a set period of time has passed, to keep the print heads in good condition. Set Maintenance Cleaning from the Maintenance Setting menu.

 [“General Settings menu” on page 152](#)

8 Platen Gap

Displays the setting value for the platen gap. Pressing the display area shows the Settings screen.

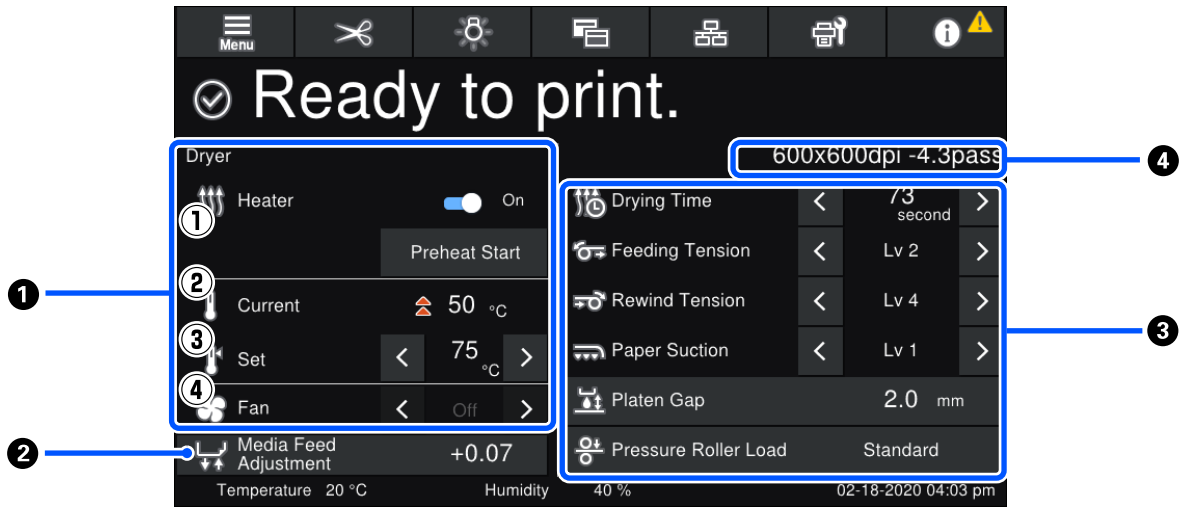
Media Settings screen

List of main media settings that you can operate.

The Media Settings can also be changed from the Settings menu. Change to whichever is the easiest to use in your situation.

Introduction

[“Control Panel Menu” on page 142](#)



1 Dryer information

You can check the following operations and statuses regarding the dryer.

(1) Heater operations

You can change it On/Off and start preheating.

(2) Current

Displays icons and the Status Indicator screen at the same time, depending on the situation.

(3) Set

Pressing allows you to change the values.

(4) Strength of the Fan mode

The Fan mode is enabled when the heater is Off. Pressing allows you to change the fan's strength.

2 Media Feed Adjustment information during printing

If you do Media Feed Adjustment while printing, the adjusted values appear. Pressing the display area shows the Settings screen.

[“Changing settings while printing” on page 29](#)

3 Media Settings information

Displays the currently set values for each setting item. You can change the values for items other than Platen Gap and Pressure Roller Load by pressing . Doing so changes the setting values for each item of the settings for the currently selected media settings. Pressing the buttons for the Platen Gap and Pressure Roller Load displays the Settings screen.

Introduction

4 Pass Mode

Displays the current Pass Mode.

 [“Media Settings menu” on page 160](#)

Changing settings while printing




During printing, you can change the settings in the Media Settings displayed in the Home screen. If a problem, such as banding or wrinkles, occurs, change the Media Settings to fix it. During printing, you can easily solve problems because you can check the results you see as you make changes. In addition, you can make quick fixes, without stopping printing, when problems occur shortly after printing starts.

Changing the settings in the Home screen changes the content of the current Media Settings.

For methods to fix problems in print results, see the "Problem Solver" in this manual and "Troubleshooting & Tips" in the *Online Manual*.


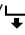
 [“Problem Solver” on page 170](#)


This section explains an example of how to do Media Feed Adjustment to compensate for banding.

- 1 Press  to access the Media Settings screen.
- 2 Press the Media Feed Adjustment information area.
The settings screen is displayed.
- 3 Press  /  to change the values.
If the feed amount is too small, black bands (dark stripes) will appear; adjust the feed amount upwards.

If, in contrast, the feed amount is too large, white bands (pale stripes) will appear; adjust the feed amount downwards.


Note:

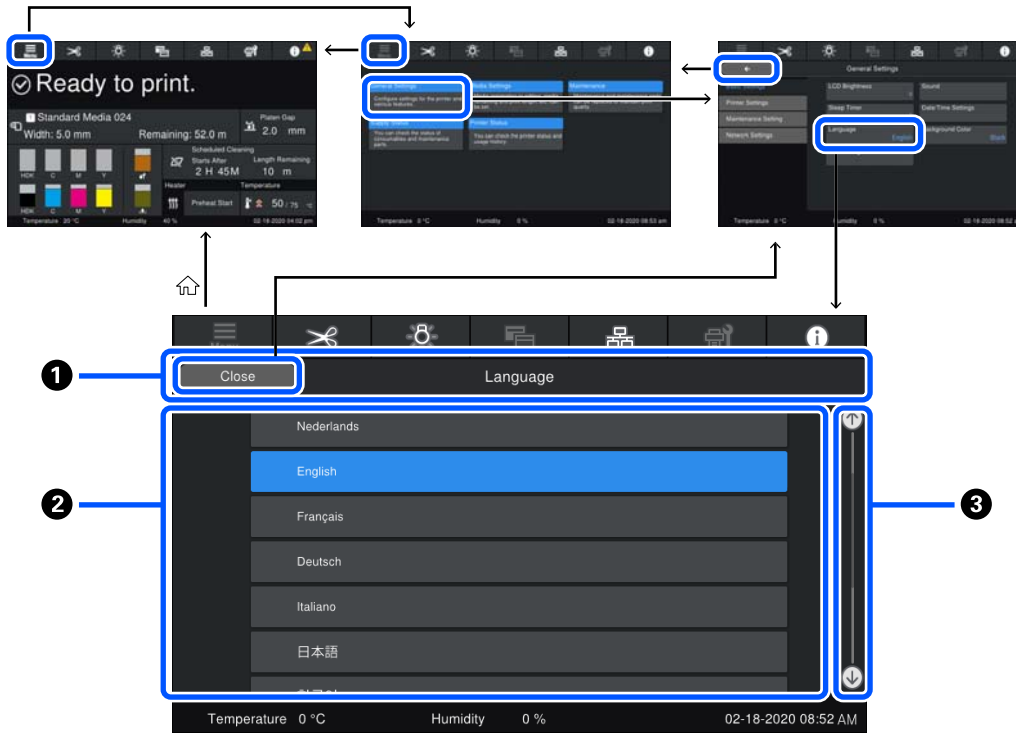
When the settings screen for Media Feed Adjustment is displayed, you can change the values by pressing the  /  buttons on the left side of the screen.

- 4 Change the values as you check the printing results until the problem is completely fixed.
This updates the setting value of Media Feed Adjustment in the currently selected media settings.
- 5 When adjustments are complete, press  to return to the Home screen.

Introduction

Menu screen

Pressing  on the Home screen displays the Menu screen.



1 Screen name display area



Displays the screen's name. Pressing **Close** or  returns you to the previous screen.

2 Operation area

Displays buttons and other items. The displayed contents vary according to the screen.

3 Scroll bar

Appears when all of the buttons, etc., do not fit in the operation area. If the scroll bar is shown, check the buttons, etc., by scrolling up and down.

You can scroll by pressing and holding the item you want to scroll and moving it up and down (slide), or by pressing / to scroll, as shown in the illustrations below.



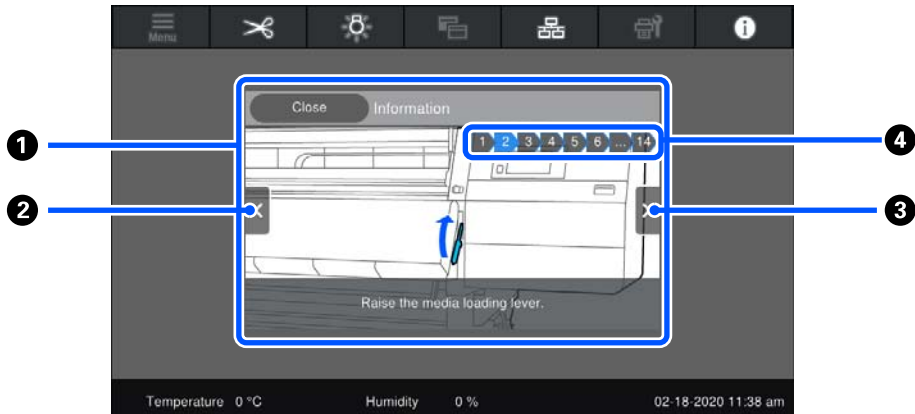
Introduction

Instructions screen

The following buttons may appear on screens on which a series of operations starts.



The instructions are explained using illustrations for each step to make them easy to understand. Even if you do not remember the instructions, you can work while looking at the screen.



1 Instructions display area

Displays the instructions. Depending on the step, the Instructions screen may display and cycle through multiple illustrations.

2 Previous step button

Displays the previous step.

3 Next step button

Displays the next step.

4 Step number

Displays the total number of steps. The color of the step that is currently shown changes to blue.

Types of Buttons

Depending on the screen, the following types of buttons appear. Even if they are the same buttons, how they look may change, depending on the situation.

Standard buttons

These buttons appear the most.

Example:



Introduction

In a list of buttons of selectable items, when a button's text and background colors turn blue, it indicates that it is selected.

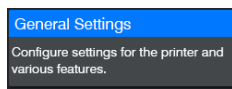
Example:



Buttons that show descriptions

These are buttons that display an item name on top and an explanation of the item on bottom.

Example:



Buttons that show setting values

These are buttons for setting items. The current setting value appears at the bottom-right in blue text.

Example:



Select/change combination button

Pressing the button anywhere except the right end selects an item as normal, but pressing the right end changes the screen to that items settings.

Example:



Buttons that can be switched on/off

These are buttons for switching settings on and off. Pressing the button switches the setting.

Example:



Buttons that turn gray (gray-out)

This indicates that the button cannot be used. These buttons turn gray only when they cannot be operated for reasons, such as items not being selectable because of unmet conditions. The conditions for being operable change depending on the button.

Example:



Notes on Usage and Storage

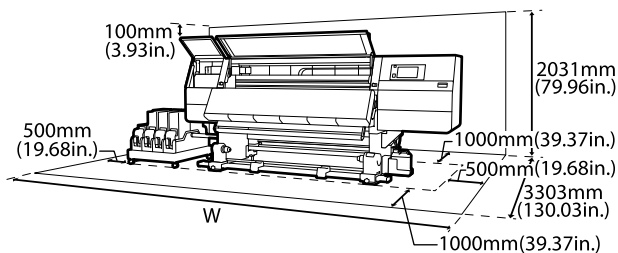
Installation space

North American and Latin American users: Contact your dealer for product installation. The product must be installed by an authorized dealer. Damage to the product from unauthorized installation will not be covered by your Epson warranty.

Make sure that you secure the following space, clear of any other objects, so that paper ejection and consumable replacement are not obstructed.

See the “Specifications Table” for the external dimensions of the printer.

 [“Specifications Table” on page 214](#)



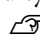
W

SC-F10000H Series: 6008 mm (236.54 in.)

SC-F10000 Series: 5607 mm (199.48 in.)

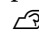
Notes when using the printer

Note the following points when using this printer to avoid breakdowns, malfunctions, and print quality decline.

- ❑ When using the printer, observe the operating temperature and humidity range described in the “Specifications Table”.  [“Specifications Table” on page 214](#)
Note, however, that the desired results may not be achieved if the temperature and humidity are within the limits for the printer but not within those for the media. Be sure the operating conditions suit

the media. For more information, see the documentation supplied with the media.

Also, when operating in dry areas, air conditioned environment, or under direct sunlight, maintain the appropriate humidity.


- ❑ Avoid using the printer in locations with heat sources or that are exposed to direct draughts from ventilators or air conditioners. The print head nozzles could dry out and clog.
- ❑ Do not bend or tug the waste ink tube. Ink could spill inside or around the printer.
- ❑ Maintenance such as cleaning and replacement must be performed according to usage frequency or at recommended intervals. Failure to perform regular maintenance could result in loss of print quality. In the absence of the appropriate maintenance, continued use could damage the print head.
 [“Cleaning” on page 102](#)

- ❑ The print head may not be capped (the print head may not return to the left side) if the printer is turned off when the media is jammed or an error has occurred. Capping is a function for automatically covering the print head with a cap (lid) to prevent the print head from drying out. In this case, turn on the power and wait a while until capping is performed automatically.
- ❑ When the power is on, do not remove the power plug or cut the power at the breaker. The print head may not be capped properly. In this case, turn on the power and wait a while until capping is performed automatically.
- ❑ When **Maintenance Cleaning** is **On**, the print head is automatically cleaned at a fixed interval after printing to keep the nozzles from clogging. Be sure that the Waste Ink Bottle is placed whenever the printer is on.
- ❑ As well as being expended during printing, ink is used during head cleaning and other maintenance required to keep the print head in working order.
- ❑ To ensure the colors you want to print, maintain a constant room temperature of 18 to 28 °C (64.4 to 82.4 °F).

Introduction

Notes when not using the printer

If you are not using it, note the following points when storing the printer. If it is not stored correctly, you may not be able to print properly the next time it is used.

- ❑ A service engineer must do pre- and post-maintenance when the printer is not used for over 6 weeks. Depending on your region, pre- and post-maintenance may require a fee. During pre-maintenance, the ink in the ink tubes is removed, and the inside of the tubes is washed using the cleaning fluid in the cleaning cartridge, to prepare for long-term storage. When restarting use of the printer, recharge the printer with ink. Moreover, depending on the environment and length of time stored, repairs may be required during post-maintenance even if pre-maintenance is done. If repairs are necessary, they may require a fee depending on your region. Contact your dealer or Epson Support.
- ❑ If you have not used the printer for a long time, check the print heads for clogging before you start printing. Clean the heads if the print heads are clogged.
 [“Checking for clogged nozzles” on page 137](#)
- ❑ The pressure rollers may crease media left in the printer. The media may also become wavy or curled, causing jams or resulting in the media coming into contact with the print head. Remove the media before putting the printer in storage.
- ❑ Store the printer after confirming that the print head has been capped (the print head is positioned at the far left). If the print head is left uncapped for a long time, the print quality may decline.

Note:

If the print head is not capped, turn the printer on, and then turn it off.

- ❑ Close all covers before placing the printer in storage. If you are not using the printer for a long time, put an anti-static cloth or cover on the printer to prevent dust. The print head nozzles are very small, and they can become clogged easily if fine dust gets on the print head, and you may not be able to print properly.
- ❑ When storing the printer, be sure that it is level: do not store it on an angle, on end, or upside down.

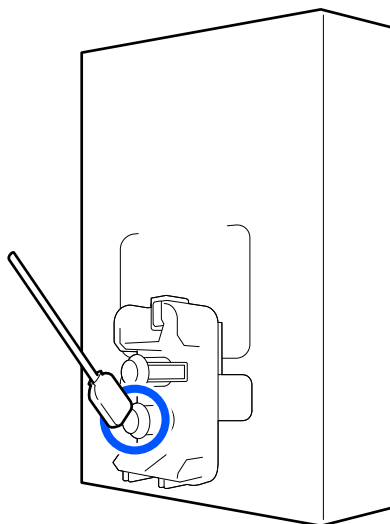
Notes on handling ink cartridges

Note the following points when handling ink cartridges to maintain good print quality.

- ❑ Extra ink is required to fully charge the print head nozzles the first time the printer is used; replacement cartridges will be needed earlier than usual.
- ❑ Store ink cartridges at room temperature in a location that is not exposed to direct sunlight.
- ❑ To ensure print quality, use all the ink in the cartridge before the earlier of the following dates:
 - ❑ The expiry date shown on the ink cartridge packaging
 - ❑ Six months after opening the package of ink cartridge
- ❑ If you move ink cartridges from a cold place to a warm place, leave them at room temperature for more than 18 hours before using them so the temperature of the ink can reach room temperature.
- ❑ Do not touch the ink cartridge IC chip. You may not be able to print properly.
- ❑ Do not leave the printer without ink cartridges installed. The ink in the printer will dry out and the printer will not function as expected. Leave ink cartridges installed even when the printer is not in use.
- ❑ Because the green IC chip contains the cartridge's own information such as the remaining ink level, you can still reinstall and use the ink cartridge after removing it from the printer.

Introduction

- ❑ Use a cleaning stick from the supplied Cleaning Kit to absorb all the ink on the ink supply ports of cartridges that have been removed from the printer before all the ink is used. Dried ink on the supply port may cause ink leaks when the cartridge is reinserted and used. Also, replace the cleaning sticks with a new one for each color.



- ❑ Store the cartridges that have been removed so as to keep the ink supply ports free of dust. The ink supply port has a valve in it so it does not need to be capped.
- ❑ Removed ink cartridges may have ink around the ink supply port, so be careful not to get any ink on the surrounding area when removing the cartridges.
- ❑ To maintain the quality of the print head, this printer stops printing before ink cartridges are completely expended.
- ❑ Although the ink cartridges may contain recycled materials, this does not effect printer function or performance.
- ❑ Do not dismantle or remodel ink cartridges. You may not be able to print properly.
- ❑ Do not drop or knock it against hard objects; otherwise, the ink may leak from the cartridge.
- ❑ Ink cartridges installed in the printer must be removed and thoroughly shaken once every week for HDK, and once every three weeks for other colors. Shaking ink cartridges ↗ “Periodic shaking of ink cartridges” on page 133

Handling Media

Note the following when handling or storing media. Media that are in poor condition will not produce good quality prints.

Be sure to read the documentation provided with each type of media.

Notes on Handling

- ❑ Do not fold the media or damage the printable surface.
- ❑ Do not touch the printable surface. Moisture and oils from your hands can affect print quality.
- ❑ When handling media, hold it by both edges. We recommend wearing cotton gloves.
- ❑ Keep the media dry.
- ❑ Packaging materials can be used to store media and should not be thrown away.
- ❑ Avoid locations that are subject to direct sunlight, excessive heat, or humidity.
- ❑ When not in use, media should be removed from the printer, rewound, and inserted in its original packaging for storage. Leaving media in the printer for extended periods may cause it to deteriorate.

Handling Media After Printing

To maintain long lasting, high quality print results, note the following points.

- ❑ Do not rub or scratch the printed surface. If they are rubbed or scratched, the ink may peel off.
- ❑ Do not touch the printed surface, as this may remove the ink.
- ❑ Make sure printouts are completely dry before folding or stacking. If the printouts are stacked or taken up without being dried sufficiently, the print surface may be damaged.
- ❑ Avoid direct sunlight.
- ❑ To prevent discoloration, display and store prints as instructed in the documentation supplied with the media.

Introduction

Introducing the Supplied Software

North America

An Epson Edge Print CD is included with this printer. Epson Edge Print is a software RIP that can be effortlessly used with easy-to-understand operations. See the online help for details about functions.

To view and download additional software, visit:

SC-F10070H:

- ❑ www.epson.com/support/f10070h (U.S.)
- ❑ www.epson.ca/support/f10070h (Canada)

SC-F10070:

- ❑ www.epson.com/support/f10070 (U.S.)
- ❑ www.epson.ca/support/f10070 (Canada)

Latin America

An Epson Edge Print CD is included with this printer. Epson Edge Print is a software RIP that can be effortlessly used with easy-to-understand operations. See the online help for details about functions.

To view and download additional software, visit:

SC-F10070H:

- ❑ www.latin.epson.com/support/f10070h (Caribbean)
- ❑ www.epson.com.br/suporte/f10070h (Brazil)
- ❑ www.latin.epson.com/soporte/f10070h (other regions)

SC-F10070:

- ❑ www.latin.epson.com/support/f10070 (Caribbean)
- ❑ www.epson.com.br/suporte/f10070 (Brazil)
- ❑ www.latin.epson.com/soporte/f10070 (other regions)

Other Regions

The following 2 types of CDs are included with this printer.

- ❑ Software disc
See the following section for descriptions of the software that has been supplied.
- ❑ Epson Edge Print disc
Epson Edge Print is a software RIP that can be effortlessly used with easy-to-understand operations. See the *Start-Up Guide* (booklet) for how to install the software. See the online help for details about functions.

Introduction



The following applications are available for Windows on the supplied software disc. If you are using a Mac or a computer without a disc drive, you can install the software from <http://epson.sn>. Install as required.

For information about these applications, see the *Network Guide* (Online Manual) or the on-line help for the application in question.

Note:

Printer drivers are not provided. A software RIP is required for printing. The Epson Software RIP, "Epson Edge Print", is included with this printer on a separate CD.

The Epson Web site provides plug-ins for the printer.

Software Name	Summary
Epson Edge Dashboard	<ul style="list-style-type: none"> ❑ You can easily acquire the following variety of information provided by Epson on the internet. <ul style="list-style-type: none"> ❑ Print settings (EMX) files* ❑ Update information for the printer firmware (you can update the firmware easily from Epson Edge Dashboard) ❑ Update information (when update information is available, start EPSON Software Updater to perform the update) for software and manuals installed from the supplied software disc and setup navigator. ❑ Information from Epson ❑ With Epson Edge Dashboard installed, you can monitor the status of the printer connected to a computer over a network or USB connection. ❑ You can easily make and change media settings from a computer and write to the printer. <p> "Instructions for Starting" on page 39</p> <p> "Exiting procedure" on page 48</p>
EPSON Software Updater	The software checks if new software or update information is available on the Internet and installs it if it is available. You can also update the manuals, Epson Edge Dashboard, and Epson Edge Print for this printer.
Epson communications drivers	(Windows only) Epson communications drivers is required when using Epson Edge Dashboard, Epson Edge Print and when connecting a computer to the printer via USB. Make sure these are installed.
Install Navi	This is the installer. During installation, you can easily use a wizard to set the address settings for connecting to a network.
EpsonNet Config SE	With this software, you can configure various network settings for the printer from your computer. This is useful as it allows you to enter addresses and names using the keyboard.
LFP Accounting Tool	The LFP Accounting Tool is not installed automatically. Download it from Epson's website and install it, if necessary. This is software that can calculate costs for printed material printed by this printer (cost of paper, cost of ink, etc.) and can display, total, and output information (in CSV format) about print jobs. It is useful for cost calculations when you are selling printed material and for understanding the amount of paper and ink being used.

Introduction

Software Name	Summary
Web Config	<p>This software comes preinstalled in the printer. Start and use it from a Web browser via the network.</p> <p>Do the network security settings from Web Config. This software also has an email notification function for notifying of printer errors and other problems.</p>

* The provided files differ according to the country and region in which you live.

Introduction

Using Epson Edge Dashboard

Instructions for Starting

Epson Edge Dashboard is a web application.

- 1 The application can be launched using the following methods.

Windows

Click the **Epson Edge Dashboard** icon on the desktop toolbar, and select **Show Epson Edge Dashboard**.



Mac

Click the **Epson Edge Dashboard** icon displayed on the menu bar of the desktop, and select **Show Epson Edge Dashboard**.



Linux

Click **Applications-Other-Epson Edge Dashboard**.

- 2 Epson Edge Dashboard starts.

For details, see the help for Epson Edge Dashboard.

Registering the Printer

The Epson Edge Dashboard can monitor, manage, and copy media settings to registered printers.

On Windows computers, printers are registered automatically. This allows you to monitor and manage them immediately after starting the Epson Edge Dashboard. If your printer is not automatically registered, check that you are using it under the following conditions.

- A communication driver provided with the printer has been installed on a computer
- The computer and printer are connected
- The printer is on standby

Printers are not automatically registered to Mac or Linux machines. Register your printer manually from the Printer Registration screen. This screen is displayed upon starting up Epson Edge Dashboard for the first time. For details, see the help for Epson Edge Dashboard.

Introduction

Checking and Managing the Printer's Status

Follow the next steps on the Printer Operation screen to check and manage the printer's status.

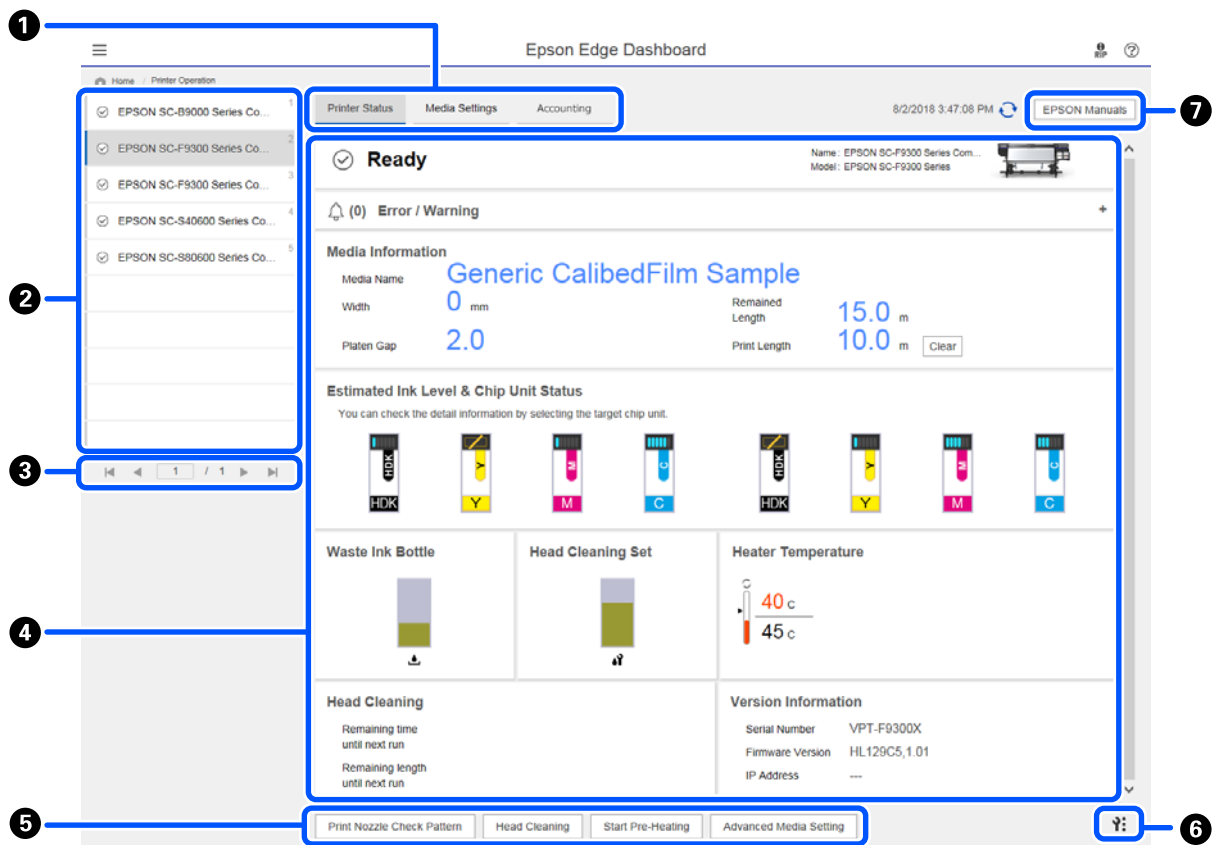
The Printer Operation screen provides a view of the same status information as the printer's control panel screen. It also allows you to perform standard maintenance operations.

1 Select **Printer Operation** from the menu. Alternatively, on the Home screen, click the area surrounding the text describing the status of the relevant printer.

The Printer Operation screen is displayed.

2 Make sure that the **Printer Status** tab is selected.

Screen Layout



	Name	Functions
1	Tabs for Switching Views	<p>Allows you to switch between Printer Status and Media Settings views. Click tab to switch views. Upon initial screen display, the Printer Status view is shown.</p> <p>📄 "Downloading and Copying Media Settings of EMX File" on page 42</p> <p>The Accounting tab is displayed if the LFP Accounting Tool is installed.</p> <p>Click the Accounting tab to display the Accounting Tool button. Click the button to start the LFP Accounting Tool, which allows you to calculate costs for printed material, and so forth.</p> <p>📄 "Using LFP Accounting Tool" on page 59</p>

Introduction

	Name	Functions
2	List of Registered Printers	<p>Register the printer to view it on this list.</p> <ul style="list-style-type: none"> <input type="checkbox"/> Select the printer to view its status on the printer status display area (4). <input type="checkbox"/> Click ◀ on the upper right corner of the list to collapse the list. Click ▶ to expand the list.
3	Page Controls	If the list of registered printers covers multiple pages, you can specify a page number to go to, and go to the first page, previous page, next page, or last page by clicking the icons.
4	Printer Status Display Area	<p>Select the printer to view the following information on the list of registered printers (2).</p> <ul style="list-style-type: none"> <input type="checkbox"/> Printer's current status <input type="checkbox"/> Errors/Warnings Notifies you of errors and warnings that are occurring with the printer. Click the item you want to check to display more details. Click + to expand the display area. Click - to collapse the display area. <input type="checkbox"/> Status The status is displayed here, described below, and is the same as that displayed on the printer's control panel screen. <ul style="list-style-type: none"> <input type="checkbox"/> Paper information Click Clear button to reset Print Length value to 0. Feed adjustment information for media being printed is not displayed. <input type="checkbox"/> Information on ink and consumables <input type="checkbox"/> Information on dryer fans and heaters <input type="checkbox"/> Notice on when to clean the print head <input type="checkbox"/> Version Information
5	Function buttons	<p>Allow you to perform standard maintenance operations.</p> <ul style="list-style-type: none"> <input type="checkbox"/> Click each button to be able to run the function according to the same procedure as when using the printer's control panel. <input type="checkbox"/> If the printer is not available for maintenance operations, this button is grayed out. You can perform maintenance when the button is available. <input type="checkbox"/> If data is not printed according to its actual length, you can click Advanced Media Setting to perform detailed feed adjustments. For details, see the help for Epson Edge Dashboard.
6	Maintenance Menu Button	<p>Click to display the menu. The following items are available on the menu.</p> <ul style="list-style-type: none"> <input type="checkbox"/> Firmware Update *1, *2 Updates printer firmware to the latest version. For details, see the help for Epson Edge Dashboard. <input type="checkbox"/> Acquire Status Sheet Information Acquires information from the printer and stores it as a file on the computer. For details, see the help for Epson Edge Dashboard. <input type="checkbox"/> Export Printer Status Data *1 Do this only when directed by the person in charge of Epson's support.
7	EPSON Manuals Button	Click to view your printer's "Online Manual".

*1 This button is not displayed when accessing and using Epson Edge Dashboard on another computer on the network. For details, see the help for Epson Edge Dashboard.

*2 This button is not displayed when using this software on a Linux machine.

Introduction

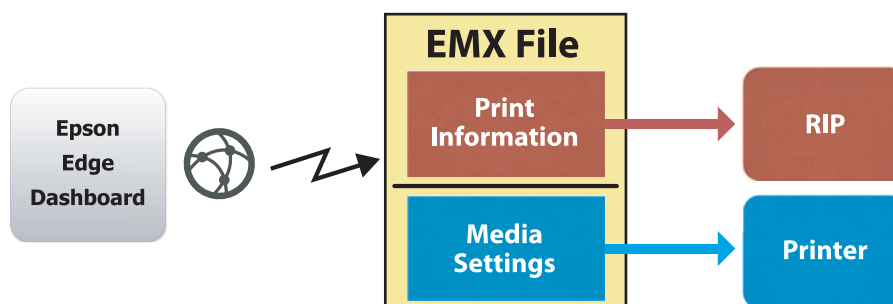
Downloading and Copying Media Settings of EMX File

Configuring optimum print settings for the media you use can require pain, time, and efforts.

You can use print setting file (EMX file) provided by Epson, which provides optimum print quality settings for the commercially available media being used. (The provided files differ according to the country and region in which you live.)

An EMX file is a single print settings file containing the following information necessary to print properly on commercially available media.

- ❑ Media Settings: Setting values that the printer uses for each media
- ❑ Print Information: Settings for ICC profiles that are used in RIP, the number of passes, the resolution, and so on



Download an EMX file and copy the media setting values in the downloaded EMX file to the printer from the Media Settings screen of Printer Operation on the Epson Edge Dashboard.

Use the following procedure to view the Media Settings screen of Printer Operation.

- 1 Select **Printer Operation** from the menu. Alternatively, on the Home screen, click the area surrounding the text describing the status of the relevant printer.
The Printer Operation screen is displayed.
- 2 Click the **Media Settings** tab.
The Media Settings screen of Printer Operation is displayed.

Introduction

Screen Layout



	Name	Functions
1	Source	Select the source used to add or change the media settings for the printer selected in the list of registered printers.
2	Source media settings list	Displays a list of the media settings loaded in 1.
3	Parameters list (Source)	Displays the settings for the media settings clicked in 2.
4	Apply Button	Click to update media settings for the target printer using the content of the current 6 list.
5	Parameters list (Target)	Displays the settings for the media settings clicked in 6.
6	Target media settings list	<p>Displays the media settings registered to the printer selected in the list of registered printers.</p> <p>Calibration field indicates the status of color calibration of media settings with the following icons.</p> <p><input type="checkbox"/>: includes color calibration information.</p> <p><input type="checkbox"/>: does not include color calibration information.</p> <p>No icon: Media settings you registered for the printer.</p> <p>Click the icon to display the screen where you can see the list of color calibration history. You can click EMX File Export within the screen to save an EMX file that contains information required for color calibration.</p>
7	Clear Button	Click to return any changes you made to media settings selected from the list in 6 to their previous state. However, you cannot reset the changed items after you click the Apply button.
8	Write to File Button *1	Click to collect the media settings displayed in the current list and save them to a single file on your computer. For details, see the help for Epson Edge Dashboard.

Introduction

	Name	Functions
9	Check Registered Media Settings Button	Click to save the list of information for all the media settings currently registered to the printer selected in the list of registered printers. For details, see the help for Epson Edge Dashboard.
10	Target Media Settings List Update Button	Click to reflect the settings for the media currently registered to the printer in the target media settings list.
11	Target	Displays the name of the printer selected in the list of registered printers.

*1 This button is not displayed when accessing and using this software from another computer on the network. For details, see the help for Epson Edge Dashboard.

Introduction

Copy Operation Flow

To copy media settings to the printer, you can copy the media settings for another printer instead of copying the media settings contained in a downloaded EMX file.

You can copy the media settings for another printer to share the same settings between multiple printers. For how to copy the media settings of other printers, see the help for Epson Edge Dashboard.

The following explains the workflow for copying settings from a downloaded EMX file.

Downloading an EMX file

 ["Downloading an EMX file" on page 45](#)



Copy the media settings to the printer

 ["Copying media settings to the printer" on page 46](#)



Do print adjustments on the printer


To optimize the media setting values for your printer's status, make sure to do print adjustments after copying the file.

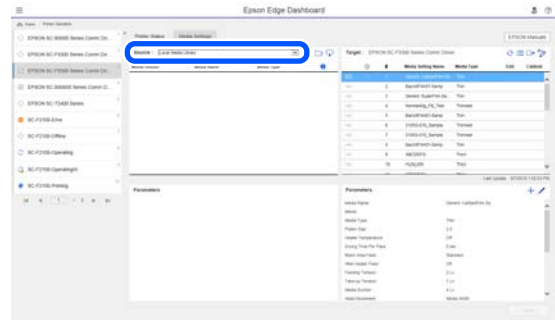
 ["Print Adjustments" on page 93](#)

Copying the Media Settings in the EMX File to the Printer

Downloading an EMX file

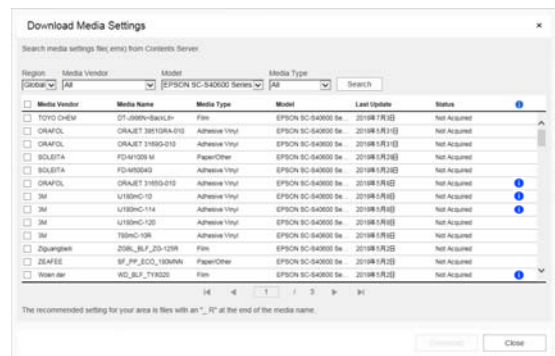
You can download only the EMX files corresponding to the printers you registered on the Epson Edge Dashboard. In addition, regardless of the printers selected in the list of registered printers, you can download all the files corresponding to the registered printers.

1 Click  in the source, and select **Local Media Library**.



2 Click .

A list of EMX files for each commercially available media is displayed in the following download screen.



At first, the EMX file corresponding to the printer selected in the list of registered printers is displayed. If you want to view the file corresponding to a different printer, select the desired printer in **Model** and click **Search**.



You can narrow the content of the list to only the necessary EMX files by selecting region, media vendor, media type, and then clicking **Search**.

3 Select the EMX files to download.

Select EMX files by checking the checkbox on the left of each file. Check the checkbox on the left of **Media Vendor** to select all EMX files displayed on the current page.

You cannot download EMX files with **Acquisition Complete** as their **Status**, for they have already been downloaded.

EMX files with **Update Available** as their **Status** have been updated since they were acquired. Downloading such EMX files will overwrite the Acquisition Complete files.

 is displayed for EMX files with information. Click  to display the information.

Introduction

Important:

If media setting values already registered to the printer are overwritten by an EMX file for the same media displayed with **Update Available**, the print adjustment setting values are initialized. If media settings are overwritten, click the **Apply** button to register the media settings to the printer, and then do print adjustments.

4 Click **Download**.

The EMX files are saved. EMX files are downloaded one at a time. When selecting multiple EMX files, wait until all files are of **Acquisition Complete** status. Click **Cancel** to cancel EMX file download. EMX files that are of **Acquisition Complete** status at the time of cancellation are stored.

Note:

You cannot change where EMX files are stored. To copy downloaded EMX files to other computers, go to the Preferences screen and select **Copy Folder Path** to copy the path. For details, see the help for Epson Edge Dashboard.

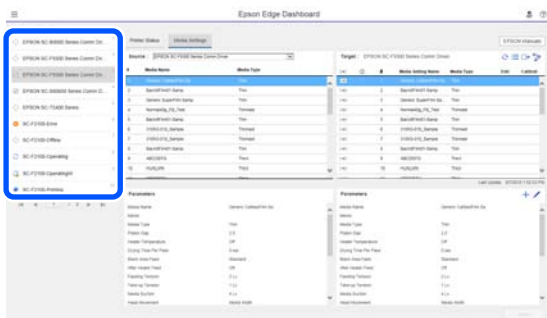
5 Click **Close** to close the Download screen.

Media settings in the EMX files are loaded and displayed to the source media settings list on the Media Settings screen.

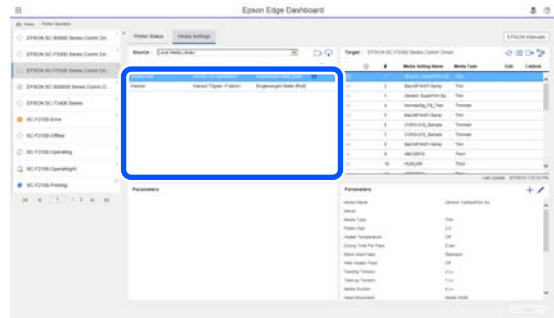
Only the media settings available to the model selected on the list of registered printers are displayed in the source media settings list. To view the loaded media settings, select the printer you selected in Step 2 on the list of registered printers.

Copying media settings to the printer

1 Select the printer on the list of registered printers.



2 From the source media settings list, select the media settings that you want to add to or change on the printer.



If printers of multiple different models are registered to this software, only the media settings available to the printer you selected in Step 1 will be displayed. Media Names are displayed in English. You can confirm the display name in the download screen by putting the mouse pointer over the English name.

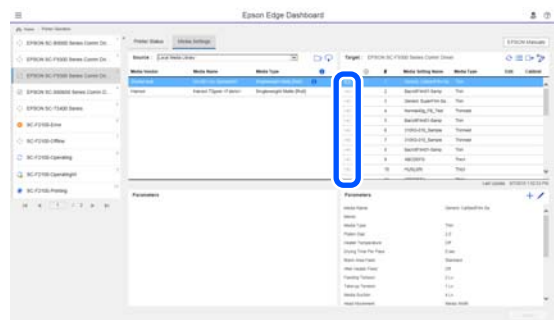
You cannot select multiple sources simultaneously. Copy them one at a time.

3 Check the target media settings list to see which media settings are registered to the printer.

You can see the name of the settings registered to the printer in **Media Setting Name** field.

✓ indicates the currently specified media settings for printing in the printer.

4 Click the [➡] of the target media setting number.



The media settings you selected in the source media settings list are copied.


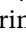
✏ indicates media settings copied from the source media settings list or were changed on the Edit screen. When ✏ is displayed, ↻ is grayed out and the list cannot be updated until you click the **Apply** button.

Introduction

You can check the Media Name on the download screen by referring to Media Name displayed in **Memo** of the parameters list (target).


5 Click the **Apply** button.

Media settings are copied to the printer.

Before clicking the **Apply** button, check the list of registered printers and make sure that  is displayed as the status icon. If the icon is anything except for , you cannot update the printer's media settings.

If the printer is connected via USB, make sure it is not printing before you click **Apply**.

Loading EMX files stored to another computer into the source media settings list



By clicking , you can load EMX files to your source media settings list, no matter where they have been copied. When you are using Epson Edge Dashboard on a computer that cannot download EMX files, you can load EMX files that were downloaded on a different computer.

Click the icon to display the file selection screen, select the EMX files of your choice, and load.

A maximum of 300 EMX files can be loaded at a time. The media settings of the files that are loaded are added to the source media settings list.


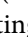
Once the files are loaded, going forward, you can simply select **Local Media Library** to see them listed.

Editing the source media settings list

Click  to delete the EMX files that have been downloaded. In the source media settings list, select the EMX files that you no longer use or that you downloaded by accident, and then click .

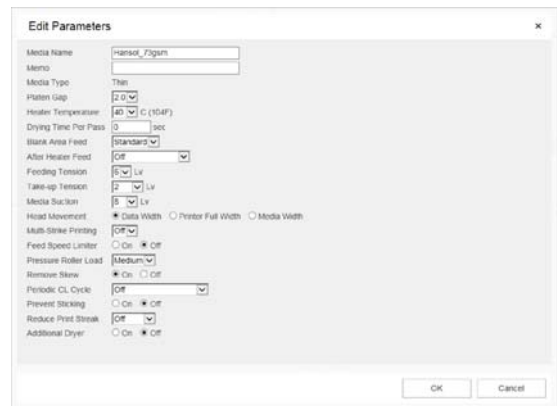
Editing Media Settings

You can make changes to media settings selected on the target media settings list. You can also add new settings. The steps to do this are described below.

1 On the target media settings list, select the media settings you want to edit. Click  (to change settings) or  (to create a new setting).

The Edit Parameters screen is displayed.

2 Change the settings.



The setting items vary according to the model being used.

You can enter a note in **Memo** to describe the content of the media settings. For media settings copied from EMX files, the media name is entered in the field.

You can change a setting's **Media Type** only when creating a new setting. When you newly create a media setting, it is populated with reference values for the media type you selected. These values are determined based on the standard specifications for this media type. Do edits as needed for the optimum setting values of your media.

3 When you have finished editing, click **OK**.

The changes are applied, and the previous screen is displayed.

To discard the changes and return to the previous page, click the **Cancel** button.

Exiting procedure

Close the Web browser.

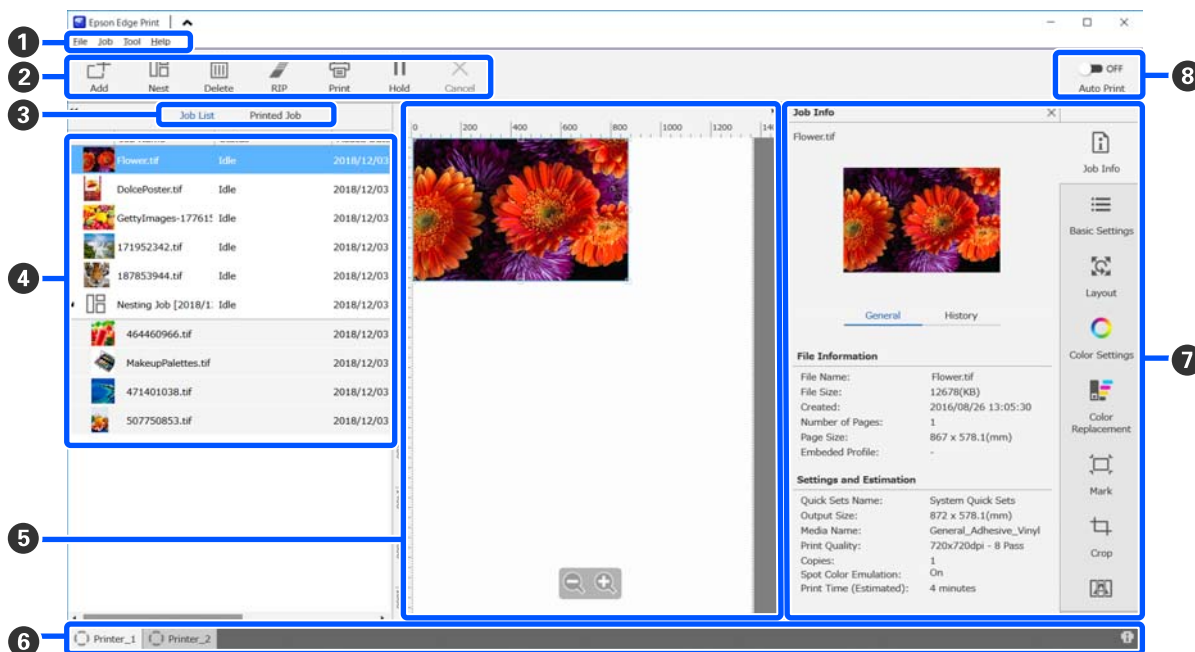
Introduction

Using Epson Edge Print

Configuration of main screen

The main screen appears when you start Epson Edge Print.

The configuration and functions of the main screen are shown below.



	Names of parts	Functions
1	Menu bar	You can do settings and operations in the various menus. By clicking or in the title line, you can show or hide the menu bar.
2	Job toolbar	You can perform the following operations for jobs that you select in the Job List/Printed Job lists (4). : Select and add print data to the Job List. / : Create a single nest job from multiple jobs that you select. When you select a nest job, changes to and you can do UnNest. "Using media efficiently without waste (nested printing)" on page 53 : Delete selected jobs from the list. : Do only RIP processing to selected jobs. : Do RIP while printing selected jobs. When you select a job for which RIP is already complete, only printing is done. : Stop printing or RIP processing that is being executed. / : Put the selected job on hold. Held jobs are not printed when you set the Auto Print switching button (3) to to perform auto printing. When you select a job being held, changes to and you can cancel the hold. If you cancel a hold during automatic printing, the job becomes idle and is printed at the end of the queue.

Introduction

	Names of parts	Functions
3	List switching button	Switch the Job List/Printed Job Lists. The name of the currently selected list is shown in a frame.
4	Job List/Printed Job Lists	In the Job List, a thumbnail, name of the source data, and the status are shown for jobs that are printing or waiting to be printed. Jobs that are finished printing are automatically moved to the Printed Job list. You can do the following operations in both lists. <ul style="list-style-type: none"> <input type="checkbox"/> You can change the content by opening the right click menu on the list title. <input type="checkbox"/> You can perform the same operations as in the Job toolbar (2) by opening the right-click menu on the name of a job. You can minimize or expand an area by clicking ◀ or ▶, which are to the top left of the list titles.
5	Preview area	You can check a preview of a job that you select in the Job List (4). Decide the layout of nested jobs and set Layout, Tiling, and Crop in the Job Setting Menu (7) as you check the job in this preview area. The white area shows the media. The width of the media changes according to the settings in ≡ (Basic Settings) - Media Size in the Job Settings menu. The distance from the left and right edges of the media to the dotted lines are the margins. You can change the margins in Manage Preset in the Tool menu. For details, see the help for Epson Edge Print. You can do the layout as you check the printing position with the scale. You can change the units (mm/inch) of the scale in Preferences in the Tool menu. For details, see the help for Epson Edge Print. You can also drag the preview image to change the printing position. By clicking 🔍 or 🔍 at the bottom of the preview area, you can reduce or enlarge the preview area display. To reduce or enlarge the printout, do the Layout settings in the Job Settings menu. For details, see the help for Epson Edge Print. By clicking ◀ or ▶ on the left top of the area, you can minimize or expand the area.
6	Switch printer tab	Displays the statuses and names of printers that are registered to Epson Edge Print. Click a tab to change the printer to operate. The white tab is the printer that is currently being operated. The meanings of the status icons is as follows. <ul style="list-style-type: none"> ✔: Printing is possible (ready). 🔄: Currently printing. ⚠: Warning or something has occurred. ✖: Error has occurred. 🔄: Currently doing an operation other than printing, such as cleaning the heads or operating the panel. 🔌: The power is off or not connected. By clicking the ⓘ on the bottom right of the screen, you can check the detailed status of the printer that is selected. Depending on the model you are using, ⓘ may be disabled.

Introduction

	Names of parts	Functions
7	Job Setting menu & Setting area	<p>Perform settings, such as printing, layout, and Input/output profile, for idle jobs that are selected in the Job List (4).</p> <p>The icons on the right are the Job Setting menu. The content of the setting area changes depending on the items that are selected. For details, see the help for Epson Edge Print.</p> <p>Clicking the X in the top right of the setting area closes the setting area so the preview area is enlarged by that amount. To open the setting area, click one of the items in the Job Setting menu.</p> <p>When the setting area is closed, you can minimize/maximize the menu area by dragging the menu's left edge to the left or right.</p>
8	Auto Print switching button	<p>Each time this button is clicked, it turns on or off.</p> <p>By setting it to <input checked="" type="checkbox"/> ON, the print jobs start printing in order just by adding print data to the Job List (4). When there are idle jobs in the Job List, idle jobs are also printed in order.</p> <p>By setting it to <input type="checkbox"/> OFF, the jobs are not printed until after the print data is added to the Job List, selected, and then printed.</p> <p>When multiple jobs are put together and nesting or RIP is done before printing, set <input type="checkbox"/> OFF to do the nesting and RIP work, and then change it to <input checked="" type="checkbox"/> ON.</p>

Introduction

Printing procedure

Preparing to print

Registering media settings to the printer for media being used

Load the printer with the media to be used, and then register the media setting values to the printer. The appropriate media setting values are registered via a series of operations when the media is loaded.

 [“Loading media” on page 70](#)

If you are using an EMX file, download the EMX file on the Epson Edge Dashboard prior to registering the media setting values to the printer.

 [“Downloading and Copying Media Settings of EMX File” on page 42](#)

Doing print adjustments

Do print adjustments to optimize the setting values with the loaded media.

Checking the operating environment

Check the following points.

- The printer and the RIP server (computer on which Epson Edge Print is installed) are connected correctly and the power is on.
- Epson Edge Print is running.
- The printer is registered to Epson Edge Print.
- The media is loaded on the printer and it is ready to print.

Preparing the print data

Prepare print data in a data format that is compatible with Epson Edge Print.

For details on supported data formats, see the help for Epson Edge Print.

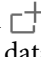
Generally, we recommend PDF for the following reasons.

- There are no broken links to images or disrupted layouts.

- Text does not need to be outlined.
- The appearance does not change, even for different versions of image processing software.

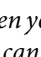
Printing procedure

1

Click  (Add) in the Job toolbar and add the print data to the Job List.
Or, drag and drop the print data onto the Job List.

The name of the data and a thumbnail for the print data that was added appear in the Job List.

Note:

When you click  (Add) and select the print data, you can also select Quick Sets at the same time.




Quick Sets are a saved batch of print job settings. Jobs are generated according to these settings. For details, see the help for Epson Edge Print.

2

Select a job to print from the Job List.

An image of the printout appears in the preview area.

3

Click  (Basic Settings) in the Job Setting menu.

The setting area changes to Basic Settings, and you can set the media size, media name (print information), and print quality (resolution and number of passes).


The media name is a setting to be applied to the print information and the media setting values.



The following shows how the settings differ when you use an EMX file for printing from when you do not.

- When using an EMX file for printing
After acquiring an EMX file, select, on the printer, the media settings number that was registered beforehand in the media setting values on the Epson Edge Dashboard.

Introduction

The currently set media setting number is displayed in the Home screen of the printer's control panel and the Printer Operation screen for the Epson Edge Dashboard.

Click  on the right of the list box for **Media Name** to display the name of the media setting number that is currently set on the printer. The print information that corresponds with that media name is used to process jobs.


If the corresponding print information is not registered to Epson Edge Print,  appears on the right side of the list box. If  is displayed, do a **Sync** in **Manage Print Info**.

For details about synchronization, see the help for Epson Edge Print.

- ❑ When not using an EMX file for printing Set the printer's current media settings to the media setting number that was registered when the media was loaded, or to any setting saved using **Media Management**. Furthermore, do not select the media setting [00 RIP Settings] because it cannot be used with Epson Edge Print.

In the list box for the **Media Name**, select the media type that correlates with the media that is loaded, or match it to the media type that was selected when the media was loaded.

For details about basic settings, see the help for Epson Edge Print.

- 4 Click  (Print) in the Job toolbar to start printing.

During printing, **Printing** appears in the **Status** column in the Job List. A progress bar for the remaining print time also appears in the preview area.


Jobs that are finished printing are automatically moved to the Printed Job list.


For details on how to use the Printed Job list, see the help for Epson Edge Print.


When there are multiple jobs in the Job List, you can decide on the order to print jobs and flexibly change the order of the print jobs in the Job List. For details, see the help for Epson Edge Print.

Note:

Check the status of the switch printer tab before starting to print. You cannot print if the status icon is one of the following.

: Error has occurred.

: Currently doing an operation other than printing, such as cleaning the heads or operating the panel.

: The power is off or not connected.


Prepare the printer for printing.

Use the Job Setting menu to enlarge or reduce jobs, to print only a portion of an image, or to print an image that is wider than the media.

For details about the functions, see the help for Epson Edge Print.

Stopping printing

Use the following procedure to stop printing while a job is printing.

- 1 Select the job to stop printing from the Job List, and click  (Cancel) in the Job toolbar. Or, open the right click menu on the name of the job to stop printing and select **Cancel**.
- 2 When the confirmation screen appears, click **Yes**.

Using media efficiently without waste (nested printing)





You can print in batches by checking images in the preview areas to position multiple jobs on the media so there are no unneeded margins.

By doing this, you can use media without waste.

Positioning multiple jobs is called a "Nest". When you have nested jobs in a group they are called a "Nested job".

With Epson Edge Print, multiple jobs are positioned and handled as a nested job as shown below.

Introduction


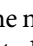
- ❑ Selecting multiple individual jobs for nesting
In the Job List,  appears on the left side of the name of the job.
- ❑ Setting multiple copies with  (Layout) in the Job Setting menu
For details about  (Layout), see the help for Epson Edge Print.
- ❑ Jobs from multiple pages, such as a PDF
In the Job List,  appears on the left side of the name of the job.

The following jobs cannot be nested.

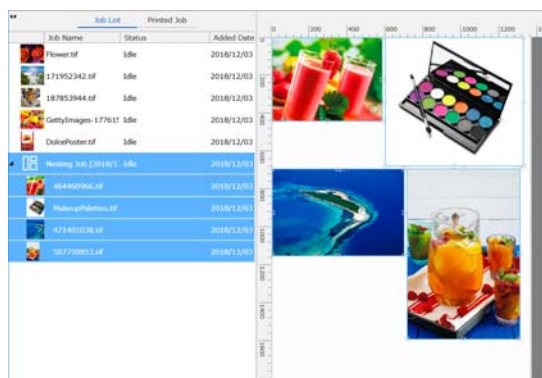
- ❑ Multiple page PDFs
- ❑ Jobs that are already nested

Creating nested jobs

The following explains the procedure to select multiple individual jobs and to nest them.

- 1 Select multiple jobs to nest from the Job List.
You can select jobs in one of the following ways.
 - Select multiple consecutive jobs**
While pressing the **Shift** key, click on the first and last jobs.
 - Select multiple nonconsecutive jobs**
While pressing the **Ctrl** key, the various targeted jobs.
- 2 Click  (Nest) in the Job toolbar.
Or, open the right click menu on the name of the selected job and select **Nest**.
Each of the jobs selected in the Job List are moved to the lower level and the nest icon () appears to indicate they are nested jobs.

All the selected jobs appear in the preview area.




The default setting value for the interval for each job in a nested job is 10 mm. To change this interval, select **Job Interval**.

[🔗 “Setting margins for each job in nested jobs” on page 55](#)


You can add jobs to a nested job by dragging and dropping a job that is not nested from the Job List into the level below the nested jobs.

- 3 Set the position of the images.
The following are the three main ways to set the position.


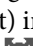
Automatically arranging images efficiently

Use  (Layout).

Arrange by aligning with the reference image

Use  (Layout).


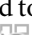
Arranging images while confirming their positions in the preview area

You can change the positions by dragging and dropping the images. You can also position images by rotating, enlarging, or reducing them with  (Layout) in the Job Setting menu. The settings set with  (Layout) before nesting are maintained after nesting is set.

Canceling nested jobs

You can cancel nested jobs and return them to normal jobs with the following procedure.

Introduction

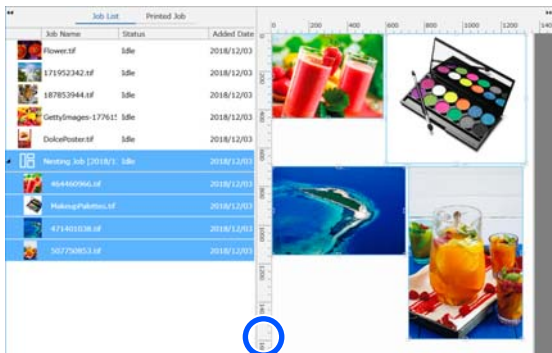
- 1 Select the root to the nested job (the line in which  is displayed to the left of the job name) in Job List and click  (UnNest) in the job toolbar. Or, open the right click menu on the name of the selected job and select **UnNest**.


Selecting some jobs in a nested job and then clicking UnNest return only the selected jobs to normal jobs.


Things to confirm before doing nested printing

Because multiple jobs are printed in a batch when doing nested printing, we recommend confirming the amount of media and ink that is remaining and the time (estimated) to print the job beforehand.


- 1 Confirm the overall print length with the scale in the preview area.



- 2 Click  (Job Info) in the Job Setting menu to check the **Print Time (Estimated)**, which is displayed in the setting area.

- 3 Click  on the bottom right of the screen. The printer's status screen is displayed.

Confirm that the remaining media is longer than the overall length of the print job that you confirmed in Step 1.


Depending on the model you are using,  may be disabled.


Confirm that there is sufficient charge remaining in the chip unit.



Setting margins for each job in nested jobs

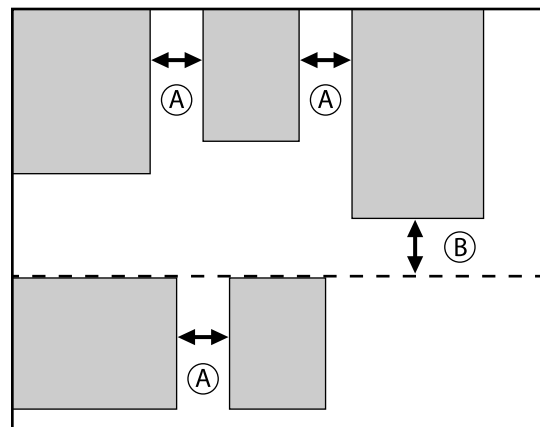
Follow the procedure below to set the default values for the margins of each job in the nested jobs.

When it is necessary to change the interval between jobs, select the targeted nested jobs, and then change them using **Job Interval** in  (Layout).

- 1 Click Tool menu - **Manage Preset** -  (Options Settings) in this order.

- 2 Set the margin values using the **Right** and **Bottom** in **Job Interval**.

The job interval is the margin added between each job when a different job is arranged below or to the right of a job, as shown below. Margins are not added to jobs that are positioned on the right edge or at the very bottom.



(A) is **Right** margin

(B) is **Bottom** margin

- 3 When the settings are complete, click **Apply**.



Introduction

Printing repeating pattern (Step and Repeat)

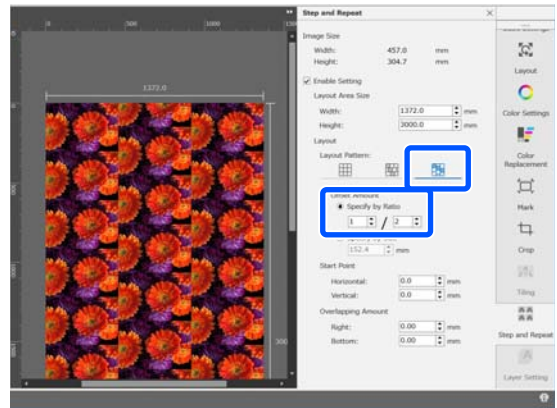
You can create and print repeating patterns by placing 1 image and shifting it vertically and horizontally.

The procedure for setting up a pattern is explained below.

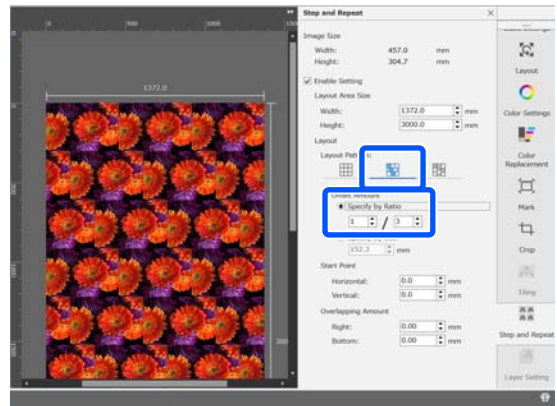
How to create patterns

- 1 Select the job (image) on which to base the pattern from the Job List.
- 2 Click  (Step and Repeat) in the Job Settings menu.
The setting area changes to the Step and Repeat settings.
- 3 Select **Enable Setting**.
The settings items are enabled.
Check **Execute Step and Repeat on the Printer** to process step and repeat and then print on this printer. In this case, you can only set the size of the area on which to place the image.
[🔗 “Step and Repeat Process on the Printer” on page 58](#)
- 4 Set the size of the area on which to place the image.
Selecting **Layout Area Size** lines up and places the image in the specified size.
If you select a **Width** for the **Layout Area Size** that is wider than the media's width, the image that extends beyond the media's width is not printed.
- 5 Set whether to shift the position of the image.
Select  in **Layout Pattern** when simply repeating the image without shifting it.

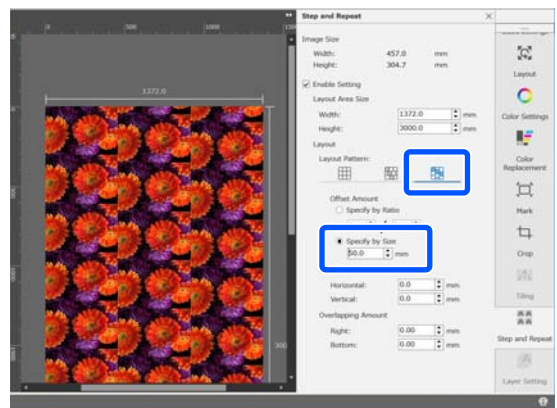
Example: Shifted 1/2 vertically



Example: Shifted 1/3 horizontally



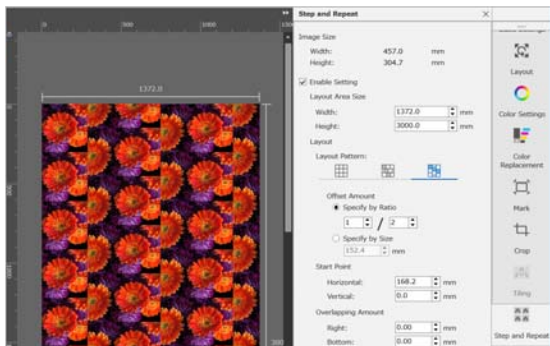
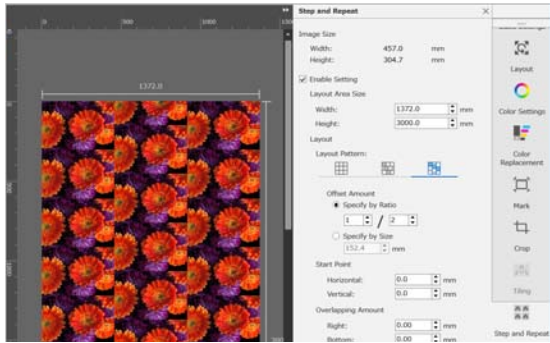
Example: Shifted 50 mm vertically




Introduction

6 You can set from which position of the image the pattern starts.

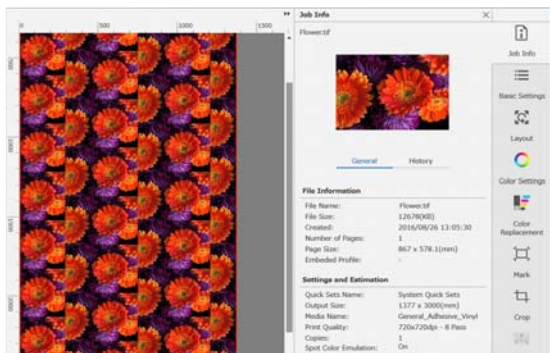
You can drag the pattern in the preview area and set the position if, for example, you want to start from a position at which the flower petals are not cut off.



You can also set and change the numerical values in **Start Point**.

7 When the pattern is complete, select something other than  (Step and Repeat) in the Job Setting menu to change the preview area into the print preview.

Example: When  (Job Info) is selected

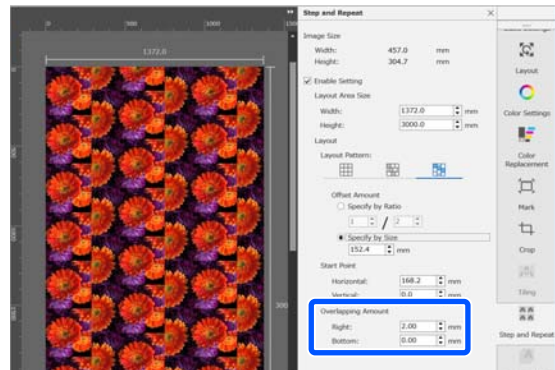


If gaps occur between images you printed

You can set **Overlapping Amount** and do adjustments when dark lines are visible when the images overlap, or when there is a space and white lines are visible when printing, even though the images look perfectly joined in the preview area.

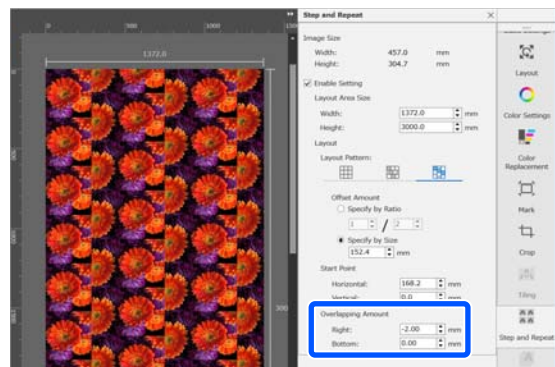
Example: 2-mm wide vertical, white lines appear between the images

White lines occur because there are horizontal spaces between the images. Set 2 in **Right** in **Overlapping Amount**.



Example: 2-mm wide vertical, dark lines appear between the images

Dark lines occur because images overlap horizontally. Set -2 in **Right** in **Overlapping Amount**.



Set **Bottom** in **Overlapping Amount** when horizontal lines appear between the top and bottom of images.

Introduction

Step and Repeat Process on the Printer

Normally, when doing step and repeat printing, printing is done while ripping the job created for the repeated pattern, so Epson Edge Print and the RIP server (computer on which Epson Edge Print is installed) cannot be shut down until printing is complete. With step and repeat processes on the printer, once printing is started, Epson Edge Print and the RIP server can be shut down while printing.

However, it is not possible to shift and position the image, nor to specify the starting point of the pattern.

Select **Execute Step and Repeat on the Printer**, and set the size of the area on which to place the image in **Layout Area Size**.

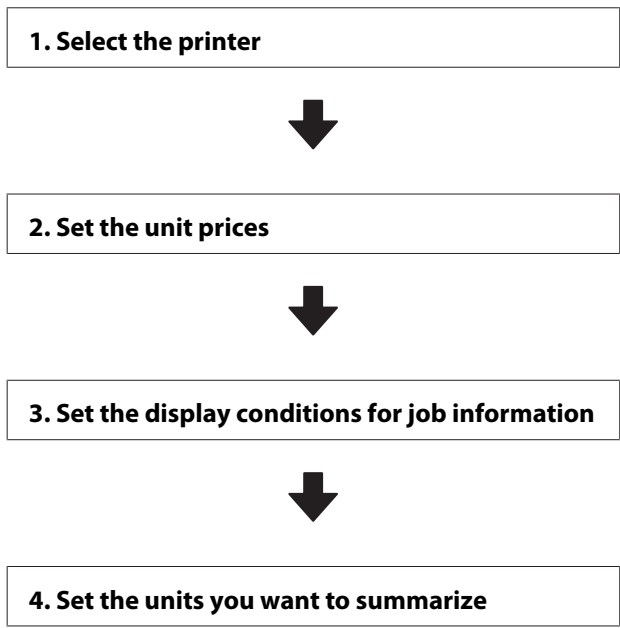
Selecting **Layout Area Size** lines up and places the image in the specified size.

If you select a **Width** for the **Layout Area Size** that is wider than the media's width, the image that extends beyond the media's width is not printed.

Using LFP Accounting Tool

Basic Settings

You must perform the basic settings in advance for the LFP Accounting Tool to obtain job information from the printer for the calculation of costs and so on. Perform setting in the following order. Follow the steps described in the following section to perform the setting.



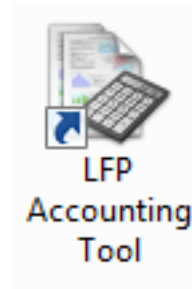
Before doing the settings, check if the computer with the LFP Accounting Tool is able to print from the printer. For details of each setting screen, see the LFP Accounting Tool help.

Select the printer

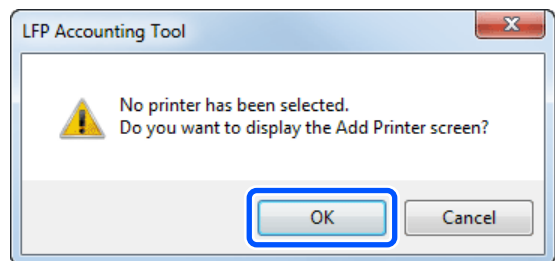
Select the printer for which you want to summarize cost calculations and job information.

This section explains how to select the printer straight after installing the LFP Accounting Tool.

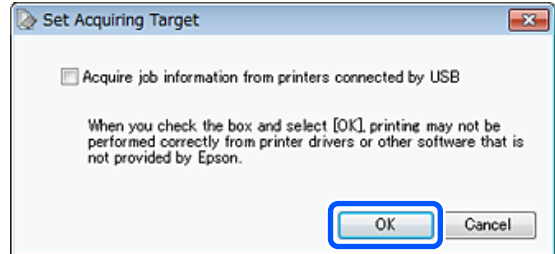
- 1 Double-click the LFP Accounting Tool shortcut icon on the desktop.



- 2 When the following message is displayed, click **OK**.

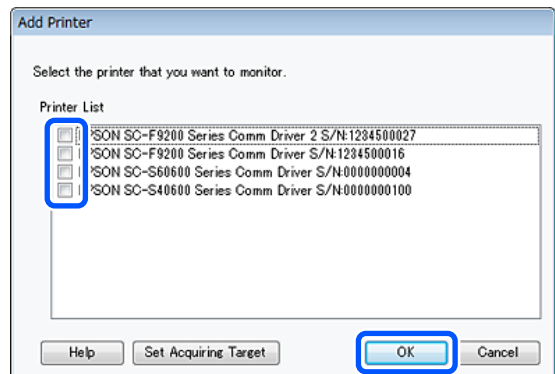


- 3 When the following message is displayed, check the content, decide what action to take, and then click **OK**.



- 4 Select the printer from the **Add Printer** screen, and then click **OK**.

If this software cannot communicate with the printer, it is not displayed in the list. When you want to summarize cost calculations and job information for multiple printers, select the target printers. We recommend setting up to four printers for monitoring.



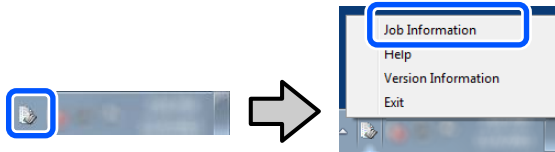
Introduction

When you click **OK**, this software starts acquiring job information from the selected printers.

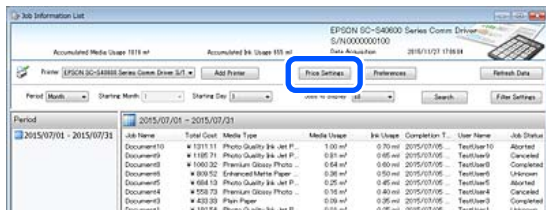
Set the unit prices

Set the unit prices for the paper and ink being used by the printer.

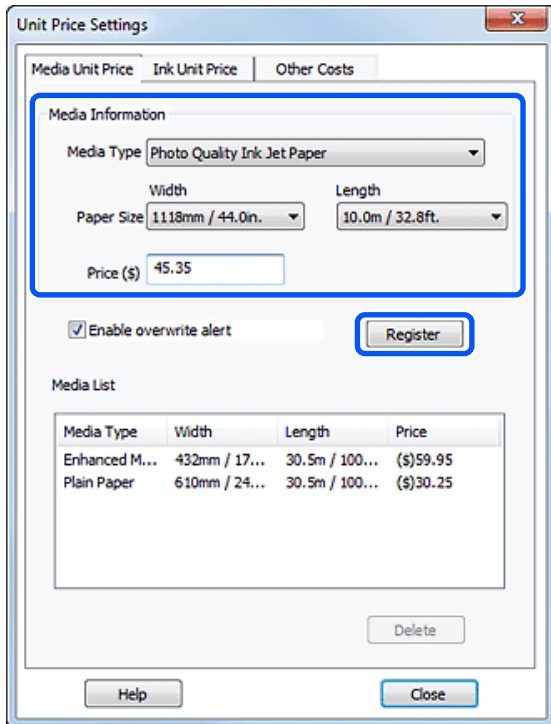
- 1 If **Job Information List** is not displayed, right-click the LFP Accounting Tool icon on the task tray, and then click **Job Information**.



- 2 Click **Price Settings**.

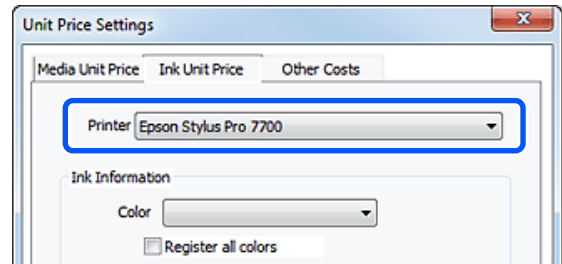


- 3 Click the **Media Unit Price** tab, make settings for all of the **Media Information** items, and then click **Register**.

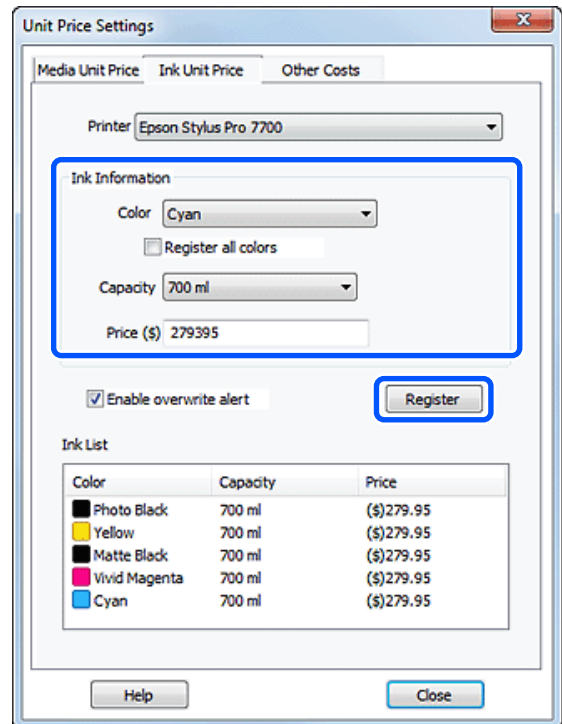


Registered information is displayed in **Media List**.

- 4 Click the **Ink Unit Price** tab, and then select the printer.

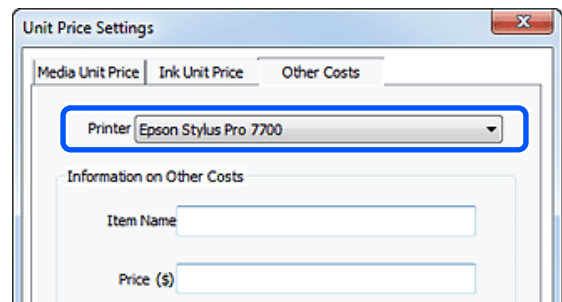


- 5 Make settings for all of the **Ink Information** items, and then click **Register**.



Registered information is displayed in **Ink List**. Go to Step 8 if you do not need to make other cost settings such as administration costs or utility costs.

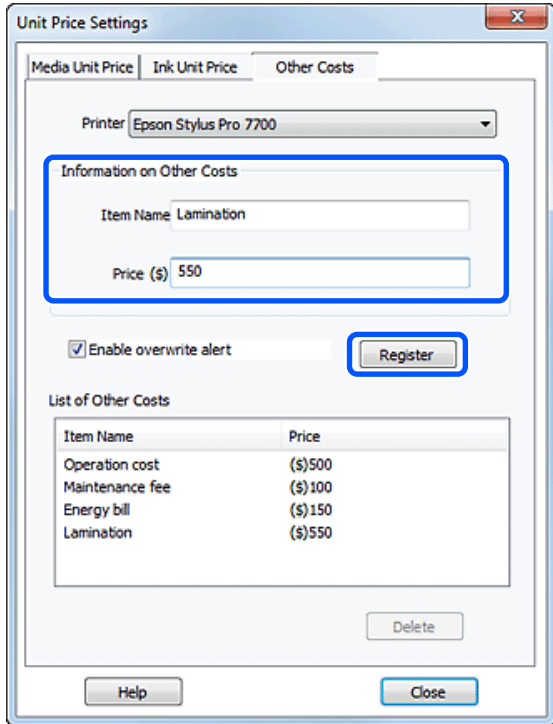
- 6 Click the **Other Costs** tab, and then select the printer for which you want to set other costs.



Introduction

- 7 Make settings for all of the **Information on Other Costs** items, and then click **Register**.

You can register up to five additional costs for each job information, such as administration costs, utility costs, or lamination costs.



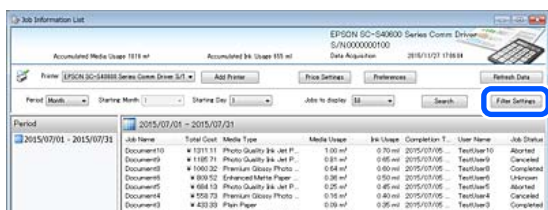
Registered information is displayed in **List of Other Costs**.

- 8 When you have finished setting each unit price, click **Close**.

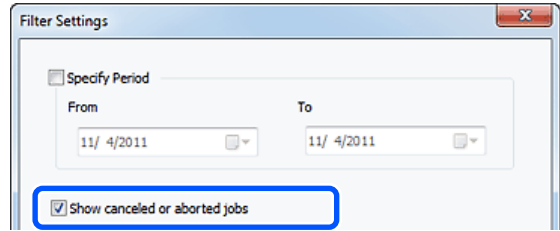
Set the display conditions for job information

Hide jobs that should be skipped when summarizing job information, such as canceled jobs, test prints, and jobs by specific users.

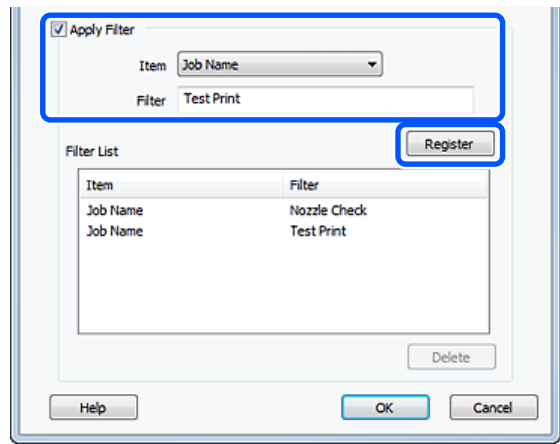
- 1 Click **Filter Settings** on the **Job Information List** screen.



- 2 To hide canceled jobs, clear **Show canceled or aborted jobs**.



- 3 To hide test prints or jobs by specific users, select **Apply Filter**, make settings for the items you want to hide, and then click **Register**.



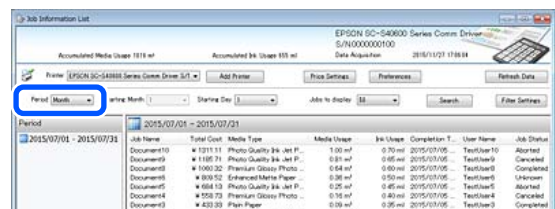
Registered information is displayed in **Filter List**.

- 4 When you have finished setting display conditions, click **OK**.

Set the units you want to summarize

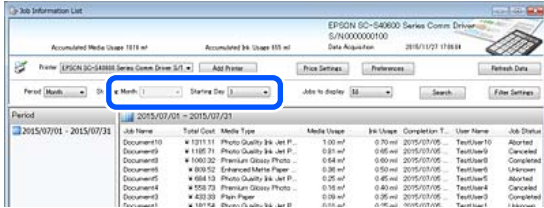
Set the start date and units (month, year, and so on) for the jobs you want to summarize.

- 1 You can select Year, Half Year, Quarter, or Month as the unit (period) for the jobs you want to summarize.

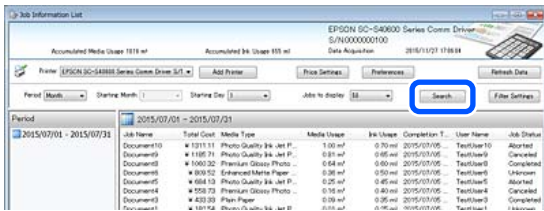


Introduction

2 Select **Starting Month** or **Starting Day** on the **Job Information List** screen.



3 Click **Search** to display jobs that satisfy the search conditions.



Click **Export to CSV** to export the summarized jobs to a CSV file. For details, see the LFP Accounting Tool help.

Note:

The LFP Accounting Tool automatically communicates with the printer every five minutes and acquires job information. You can also click **Refresh Data** to acquire the latest job information collected in the printer. If the printer has not yet printed any material, you cannot acquire data as there is no job information.

This completes doing settings. To continue acquiring job information, make sure the LFP Accounting Tool is running whenever the printer is printing.

Introduction

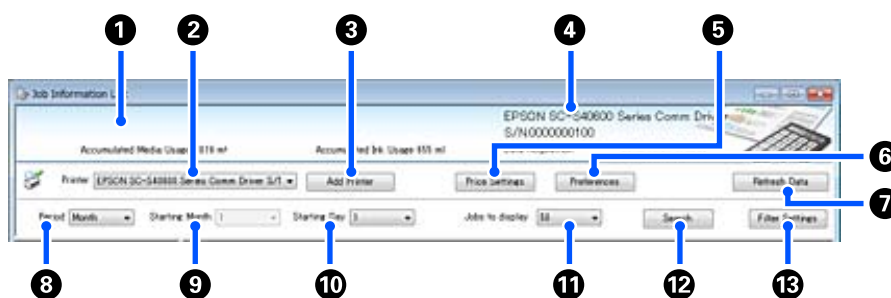
Screen Layout

The job information that is automatically acquired from the printer and collected in the computer is displayed on the Job Information List screen.

You can display the screen using one of the following methods.

- ❑ Double-click this software's icon on the task tray
- ❑ Right-click this software's icon on the task tray, and then click **Job Information**
- ❑ On Epson Edge Dashboard, click the **LFP Accounting Tool** on the Accounting tab of the Printer Operation screen

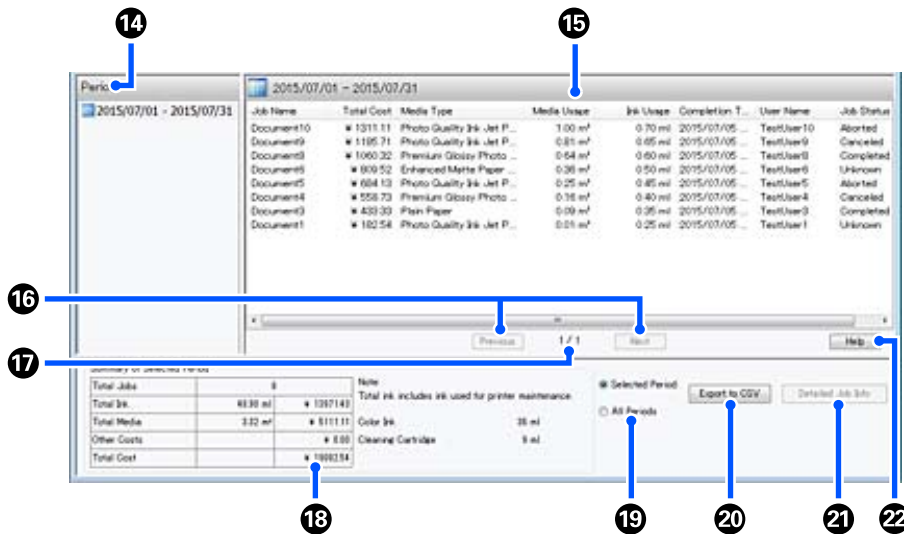
For details of other screens, see the LFP Accounting Tool help.



Item	Explanation
1	Message display area Displays a message if the job information search results contain a job for which cost cannot be calculated, or a job for which the unit price has not been set.
2	Printer Select the printer for which you want to display job information. Displays the list of printers selected on the Add Printer screen.
3	Add Printer button Opens the Add Printer screen.
4	Selected printer information/Data Acquisition display area Displays the product name and serial number for the selected printer, as well as the date when the latest job information was acquired from the selected printer. At the bottom of the message display area, Accumulated Ink Usage and Accumulated Media Usage are also displayed depending on the printer model. When this software is running and is able to communicate with the selected printer, it acquires job information every five minutes.
5	Price Settings button Opens the Unit Price Settings screen.
6	Preferences button Opens the Preferences screen.
7	Refresh Data button Click to instantly acquire the latest job information for the selected printer(s).
8	Period Select the time period for the jobs you want to summarize. You can select Year, Half Year, Quarter, or Month. The default is "---". While nothing is displayed in Period when the default value is selected, all of the job information for the selected printer is displayed and summarized in list view. The date for each selected unit is displayed in Period.
9	Starting Month This is available when Year, Half Year, or Quarter is selected from Period . Select from 1 to 12 as the month to start summarizing.

Introduction

Item		Explanation
10	Starting Day	This is available when Year, Half Year, or Quarter is selected from Period . Select from 1 to 31 as the day to start summarizing.
11	Jobs to display	Set the maximum number of jobs displayed in list view. You can select from "50", "100", or "200".
12	Search button	Displays data that matches the search conditions set on the Period or Filter Settings screens.
13	Filter Settings button	Opens the Filter Settings screen.



Item		Explanation
14	Period	Displays the period set in Period , Starting Month , or Starting Day .
15	List View	Displays a list of the job information found using the search conditions set on the Period or Filter Settings screens. Acquired job information is displayed in descending order from the latest to the oldest. "???" is displayed in jobs for which the Media Unit Price or the Ink Unit Price has not been set. If you click Price Settings while selecting a job for which "???" is displayed, the Unit Price Settings screen opens with the items that need to be set already selected. If more than 10 jobs are sent to the printer while the computer is turned off, this software cannot acquire job information. From the job information that the software could not acquire, only ink consumption is reported in the list with the job name Lost Job. - is displayed for the other information that could not be acquired. Depending on the model being used, you may not be able to acquire ink consumption information, in which case 0ml is displayed.
16	Previous/Next buttons	Use these buttons to navigate between pages when job information for the selected period is spread over multiple pages.
17	Current Page	Displays the page number for the current page.
18	Summary of Selected Period	Displays the total value of each item for the job information selected in Period . Information displayed vary depending on the acquiring target printer. If a job without a set media unit price or ink unit price is displayed in the list view, "???" is also displayed in the summary.

Introduction

Item		Explanation
19	Selected Period/All Periods	<p>Set the period for the data to be output to a CSV file.</p> <p>When you want to output data selected from Period that is displayed in the current list view, set Selected Period.</p> <p>You can only select one Period.</p> <p>To output all information for the selected printer, set All Periods (job information that has been excluded on the Filter Settings screen is also output).</p> <p>To output information for the select printer without the job information items set on the Filter Settings screen, set Period to "---", and then select Selected Period.</p>
20	Export to CSV button	Exports job information for either Selected Period or All Periods to a file.
21	Detailed Job Info button	Displays detailed information for the job selected in list view.
22	Help button	Displays the Help for this screen.

Introduction

Using EPSON Software Updater

Note:

EPSON Software Updater is not available in all regions.

North American users:

To check for software updates, visit:

SC-F10070H:

- www.epson.com/support/f10070h (U.S.)
- www.epson.ca/support/f10070h (Canada)

SC-F10070:

- www.epson.com/support/f10070 (U.S.)
- www.epson.ca/support/f10070 (Canada)

Latin American users:

To check for software updates, visit:

SC-F10070H:

- www.latin.epson.com/support/f10070h (Caribbean)
- www.epson.com.br/suporte/f10070h (Brazil)
- www.latin.epson.com/soporte/f10070h (other regions)

SC-F10070:

- www.latin.epson.com/support/f10070 (Caribbean)
- www.epson.com.br/suporte/f10070 (Brazil)
- www.latin.epson.com/soporte/f10070 (other regions)

Checking software update availability

1

Check the following status.

- The computer is connected to the Internet.
- The printer and the computer can communicate.

2

Start EPSON Software Updater.

Windows 8.1/Windows 8

Enter the software name in the search charm, and select the icon displayed.

Except for Windows 8.1/Windows 8

Click Start > **All Programs** (or **Programs**) > **Epson Software** > **EPSON Software Updater**.

Mac

Click **Move - Applications - Epson Software - EPSON Software Updater**.

Note:

In Windows, you can also start by clicking the printer icon on the desktop toolbar and selecting **Software Update**.

3

Update the software and manuals.

Follow the on-screen instructions to continue.

**Important:**

Do not turn off the computer or printer while updating.

Note:

Software that is not displayed in the list cannot be updated using EPSON Software Updater. Check for the latest versions of the software from the Epson Web site.

<http://www.epson.com>

Receiving update notifications

1

Start EPSON Software Updater.

2

Click **Auto update settings**.

3


Select an interval for checking for updates on the printer's **Interval to Check** box, and then click **OK**.

How to Use Web Config

Instructions for Starting

Launch a browser on a computer connected to the same network as the printer.

Introduction

- 1 Check the IP address of the printer.
Press , and press in order **General Settings - Network Settings - Network Status - Wired LAN Status**.
- 2 Launch a Web browser on a computer connected to the printer via a network.
- 3 Enter the IP address of the printer in the address bar of the Web browser and press the **Enter** or **Return** key.
Format:
IPv4: https://IP address of printer/
IPv6: https://[IP address of printer]/
Example:
IPv4: https://192.168.100.201/
IPv6: https://[2001:db8::1000:1]/

Exiting procedure

Close the Web browser.

Uninstalling Software

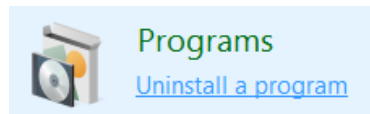
Important:

- Log in to a "Computer administrator" account (an account with administrative privileges).
- Enter the administrator password when prompted and then proceed with the remainder of the operation.
- Exit any other applications that may be running.

This section describes how to uninstall Epson communications drivers. For uninstallation of other software, see the software help.

- 1 Turn off the printer, and unplug the interface cable.

- 2 Go to the **Control Panel** and click **Uninstall a program** from the **Programs** category.



- 3 Select **EPSON SC-F10000H Series FpFy Comm Driver Printer Uninstall**, **EPSON SC-F10000H Series LcLm Comm Driver Printer Uninstall**, or **EPSON SC-F10000 Series Comm Driver Printer Uninstall**, and then click **Uninstall/Change**.
- 4 Select the target printer icon, and then click **OK**.
- 5 Follow the on-screen instructions to continue.
When the delete confirmation message appears, click **Yes**.

If you are reinstalling the Epson communications drivers, restart the computer.

Basic Operations

Workflow for Optimal Printing

The following conditions must be fulfilled to print optimally on the printer.

- The media settings values appropriate for the media you are using are registered to the printer, and the print information is registered to the RIP.
- The media is loaded appropriately on the printer.
- The print adjustments (print head alignment and media feed adjustment) are executed using the media to be used.
- The printer is kept in a proper condition.

Follow the steps below to fulfill the conditions.

1. Register media settings values. (when using the EMX file with the new media)

You can easily register media settings values to the printer using Epson Edge Dashboard. If you are registering with Epson Edge Dashboard, download the EMX file corresponding to the media that you are using in advance, and have it registered to the printer.

 ["Using Epson Edge Dashboard" on page 39](#)



2. Load the media.

Loads media to be used on the printer. The loading method varies depending on the characteristics of the media.

If you are not using the EMX file, the optimal media settings values will be registered just by selecting the Media Type when loading the media.

 ["Loading media" on page 70](#)



3. Attach media to the Auto Take-up Reel Unit.

Attach the Auto Take-up Reel Unit to the edge of the media, and make sure that automatic take-up can be performed. The method of attachment varies depending on the characteristics of the media.

 ["Using the Auto Take-up Reel Unit" on page 77](#)



4. Execute the Print Adjustments. (when using new media)

Execute the Print Adjustments to optimize the media settings values to the condition of the machine.

Usually, this is adjusted automatically by executing Automatic Adjustment.

 ["Print Adjustments" on page 93](#)



5. Check the condition of the printer.

Upon starting printing work, inspect the remaining ink level and the condition of the print head nozzle.

 ["Before Printing" on page 92](#)



6. Print.

Start printing from the Epson Edge Print.

 ["Using Epson Edge Print" on page 49](#)

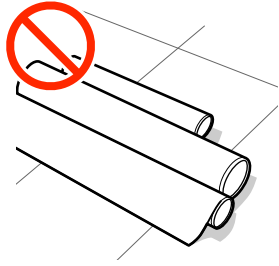
Precautions When Handling Media

If the following points are not observed when handling media, small amounts of dust and lint may stick to the media surface and cause ink drops in the print results or cause the nozzles to clog.

Do not place exposed media directly on the floor.

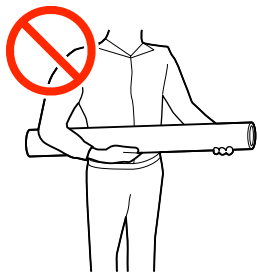
Media should be rewound and inserted in its original packaging for storage.

Basic Operations



Do not carry media with the media surface pressed against clothing.

Handle media in its individual packaging until just before loading the media in the printer.



Notes on Loading Media

Caution:

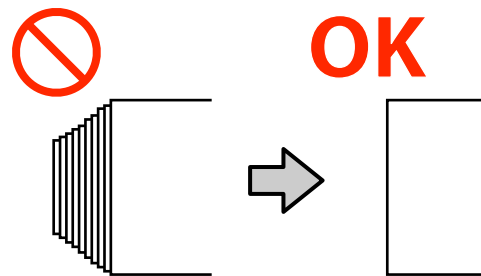
- ❑ *The dryer may be hot; observe all necessary precautions. Failure to observe the necessary precautions could result in burns.*
- ❑ *Do not put your hand inside the dryer. Failure to observe the necessary precautions could result in burns.*
- ❑ *Because the media is heavy, it should not be carried by one person. We recommend using a lifter for media that weighs over 40 kg (88 lb.).*
- ❑ *Be careful not to trap your hands or fingers when opening or closing the front cover or the maintenance cover. Failure to observe these precautions could result in injury.*
- ❑ *Do not rub your hands along the edges of the media. The edges of the media are sharp and can cause injury.*

Load the media just before printing.

The pressure rollers may crease media left in the printer. The media may also become wavy or curled, causing jams or resulting in the media coming into contact with the print head.

Do not load media if the right and left edges are uneven.

If media is loaded and the right and left edges of the roll are uneven, media feeding problems may cause the media to move around during printing. Either rewind to align the edges or use a roll without any issues.



Load in an order appropriate for the media to be used.

There are two ways to load media: The normal feeding procedure and the take-up feeding procedure.

When media is being loaded, the printer does operations such as feeding and rewinding the media to detect its width. When using the normal feeding procedure at this time, some problems, such as the media wrinkling on the platen, may occur depending on the type of media. These problems are caused when the media gets stuck to the platen.

If these problems occur, follow the take-up feeding procedure to load the media. In the take-up feeding procedure, the media is loaded to the Auto Take-up Reel Unit before feeding, to avoid it getting stuck to the platen and causing problems.

Media that cannot be used

Do not use media that is folded, wrinkled, scuffed, torn, or dirty. The media could rise up and contact the printheads and damage them.

Example of media with folds or wrinkles at its edge

Basic Operations




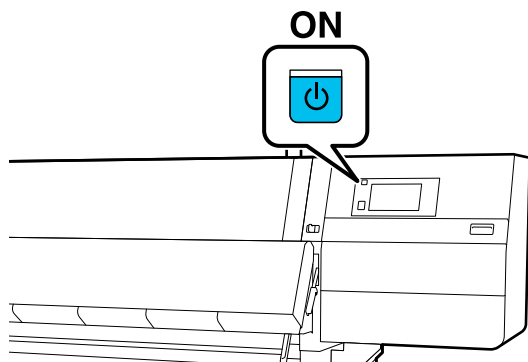
Loading media

You can check the procedure in a video on YouTube.

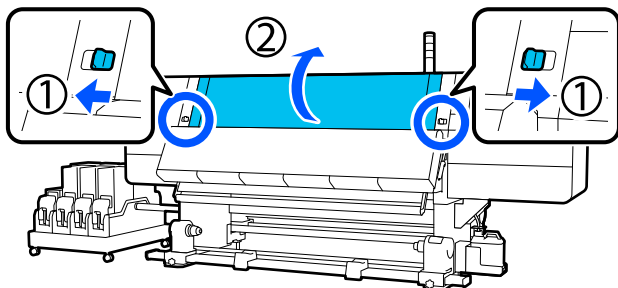
[Video Manual](#) (Normal feeding procedure)

[Video Manual](#) (Take-up feeding procedure)

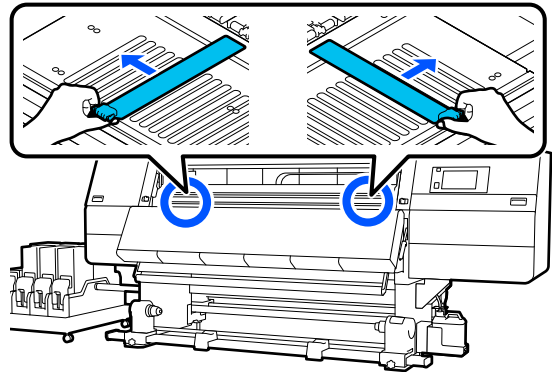
- 1 Press the  button and wait until the Home screen is displayed.



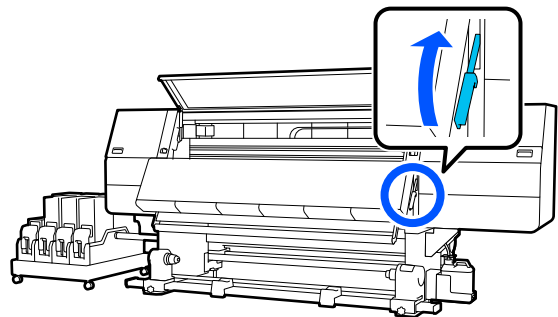
- 2 Move the lock lever on the left and right side outwards to open the front cover.



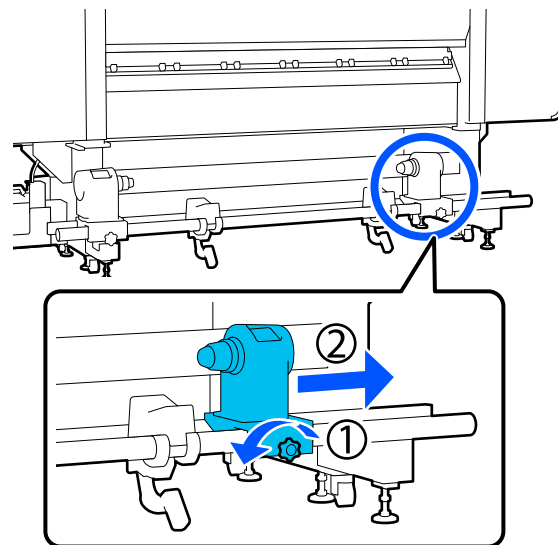
- 3 While holding the tabs of the media edge plate on both sides, move the plate out of the way toward both edges of the platen.



- 4 Raise the media loading lever.



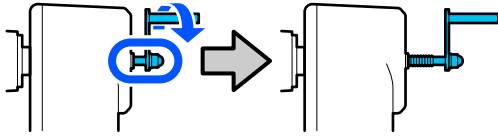
- 5 Move to the back side, and loosen the right media holder fixing screw to move the holder outwards.



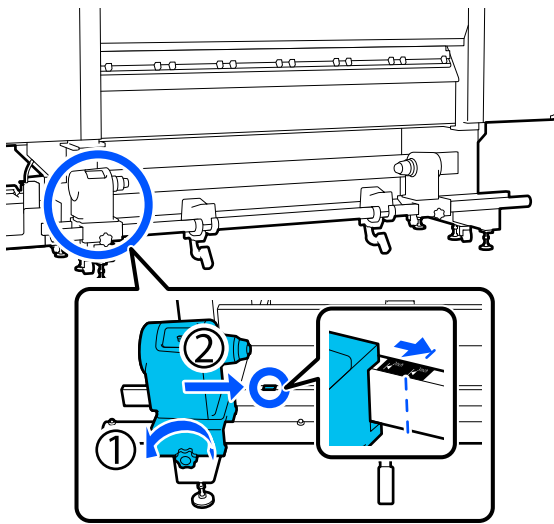
Basic Operations

! Important:

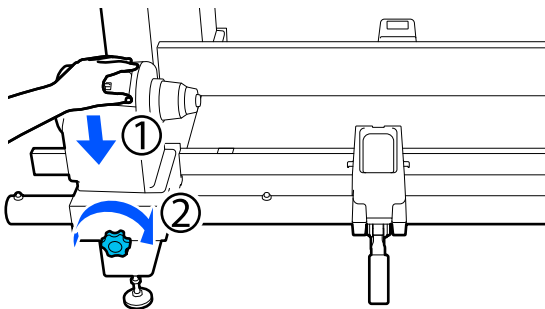
If the right holder handle shaft is not visible, rotate the handle forward until it stops. The media can not be properly loaded if the handle shaft is not visible.



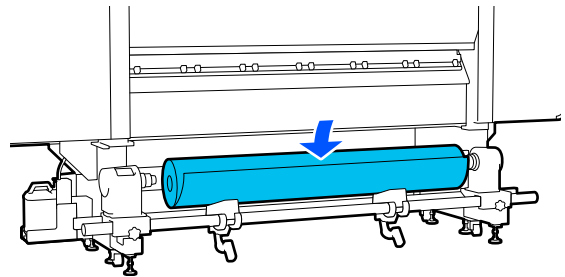
- 6** Loosen the left media holder fixing screw and move the media holder to the set position according to the inner diameter of the roll core of the media that will be loaded.



- 7** While pressing from the top of the media holder, tighten the fixing screw until it no longer turns. Tighten it so the media holder does not move.



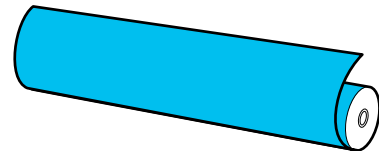
- 8** Place the media on the roll support. Have the roll support moved inward for about 20 cm (7.87 in.) from the roll end.



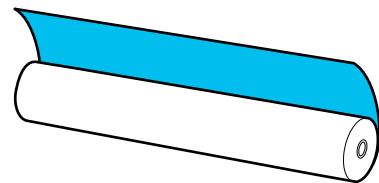
Note:

The method of placing varies as follows depending on how media is rolled.

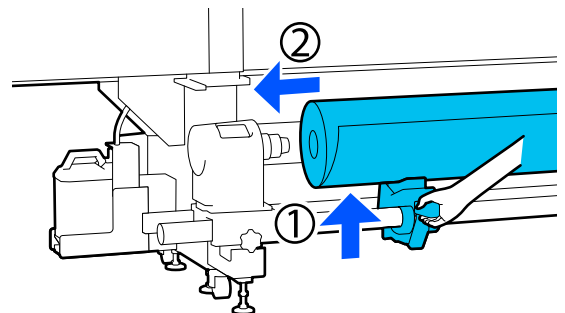
Printable Side Out



Printable Side In



- 9** While lifting the lift lever, move the roll support to the left, and firmly insert the roll core of the media onto the media holder.



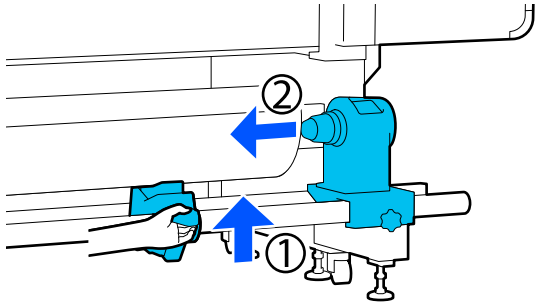
Note:

If the roll of media has an outer diameter that is less than 140 mm (5.51 in.), the roll core will not reach the media holder when raised using the lift lever.

Raise it with your hands, and insert the roll core into the media holder.

Basic Operations

- 10** While lifting the right lift lever, firmly insert the media holder onto the roll core of the media.

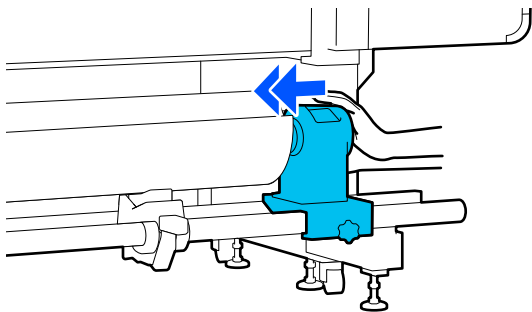


Note:

If the roll of media has an outer diameter that is less than 140 mm (5.51 in.), the roll core will not reach the media holder when raised using the lift lever.

Raise it with your hands, and insert the roll core into the media holder.

- 11** To ensure that the media holder is sufficiently inserted into the roll core, push the top of the media holder towards the end of the roll two times.

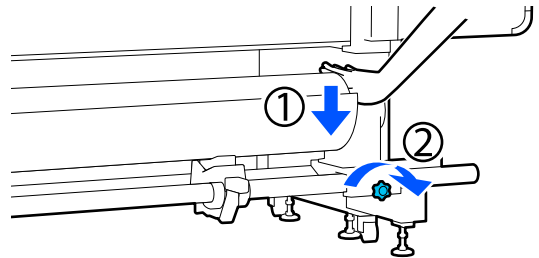


! Important:

If the media holder is inserted into the roll core insufficiently, media is not fed correctly during printing because of slippage between the media holder and roll core.

This may cause banding in the print results.

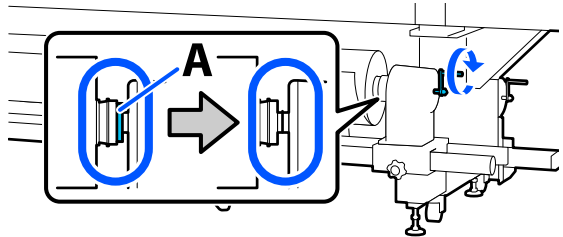
- 12** While pressing from the top of the media holder, tighten the fixing screw until it no longer turns. Tighten it so the media holder does not move.



! Important:

If the media holder screw is loose, the media holder may move during printing. This could cause stripes and unevenness in the print results.

- 13** Rotate the handle until part A in the illustration below is fully inserted.



! Important:

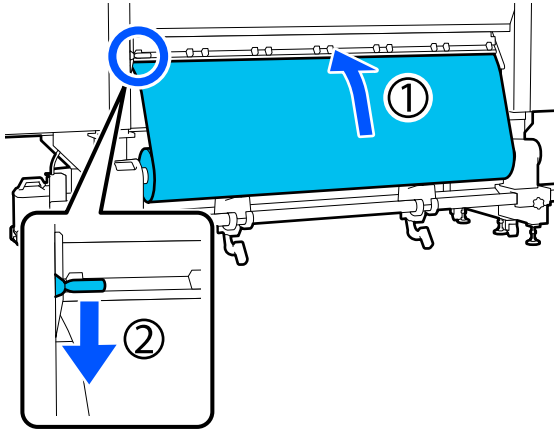
Once part A is hidden, do not turn the handle any further. Failure to observe this precaution could damage the media holder.

If part A is still visible even after the handle has been turned fully, rewind the handle. Loosen the media holder screw on the right side, and then restart from Step 5.

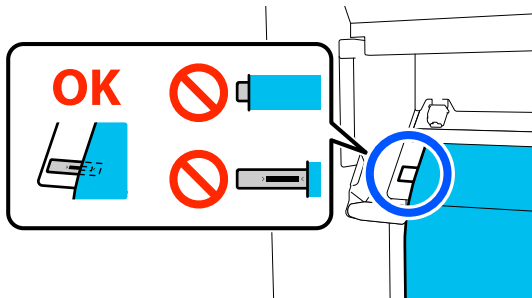
Basic Operations

- 14** Insert the media approximately 20 cm (7.87 in.) into the opening, then lower the media loading lever.

The media that you inserted is clamped and does not fall out.



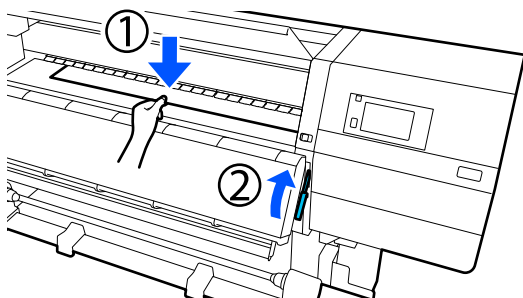
- 15** Confirm that the left edge of the media is within the range of the label's rectangle in the illustration below.



! Important:

If the left edge of the media is not within the black square of the label, do Steps 6 to 15 in reverse to adjust the position of the media holder. Do not attempt to reposition the media holders while they are inserted in the media.

- 16** Move to the front side, and while holding the media to keep it from falling down to the back side, lift the media loading lever.



Note:

You can change the media suction on the platen through the screen operation. Increasing the media suction lowers the possibility of media falling down.

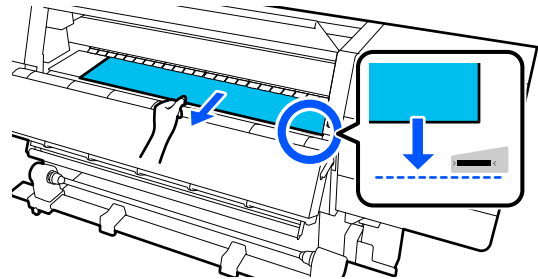
If it is difficult to pull out the media in the following procedure, decrease the media suction. Change as required.

- 17** Pull out the media to the following position depending on the type of media.

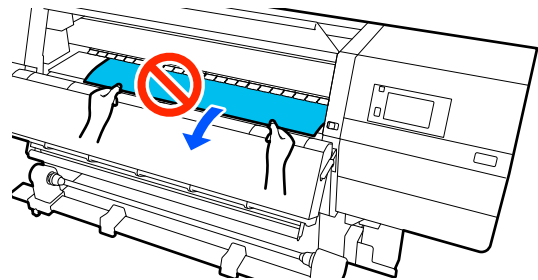
Normal feeding procedure

Pull out the media to the near edge of the label on the platen.

Hold the center of the media in one hand, and pull it straight out.



Do not pull the media with both hands. This could cause the media to skew or move around.




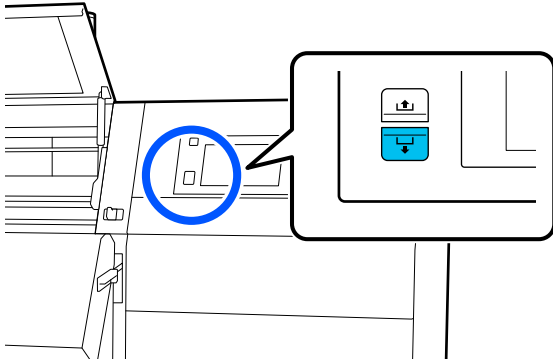
Take-up feeding procedure

Pull out the media until it reaches the media holder.

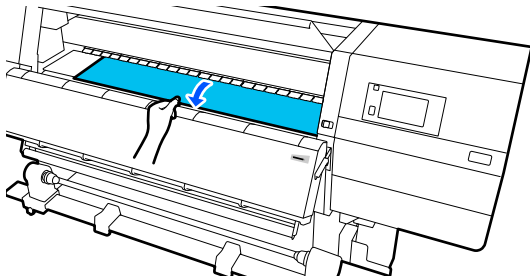
Follow the steps below to pull out the media.

Basic Operations

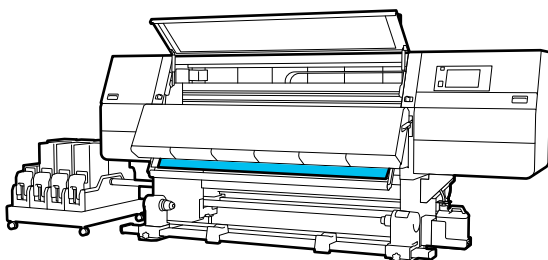
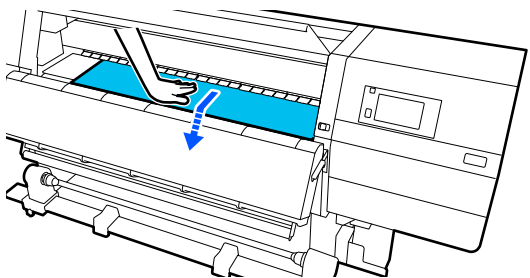
For each step given below, be sure to slacken the media before pulling it out. The media may get torn if it is forcibly pulled out without slackening. To slacken the media, press the  button. By doing so, the media that is loaded on the back side will rotate in the feeding direction and slacken.



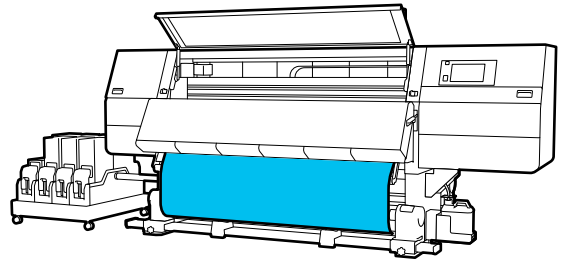
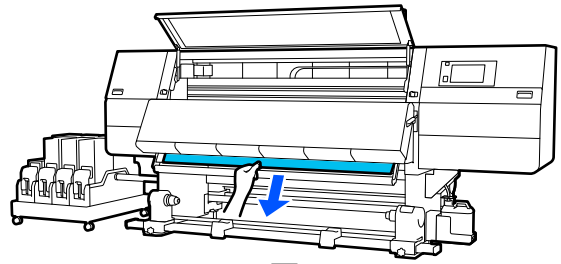
a. Hold the center of the media in one hand, pull it straight out, and insert its edge into the dryer.



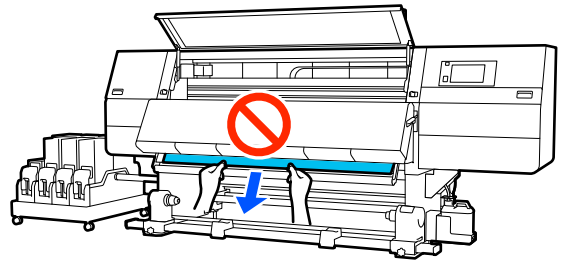
b. While holding the center of the media on the platen, pull it out by moving it toward yourself, until its edge comes out from the bottom of the dryer.



c. Hold the center of the media in one hand, and pull out the media until its edge reaches the media holder.

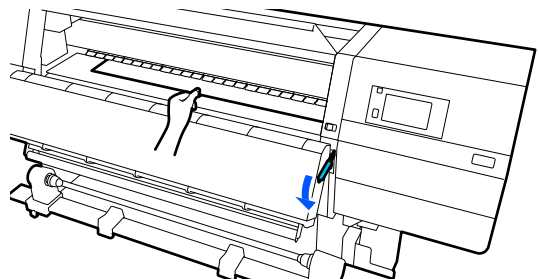


Do not pull the media with both hands. This could cause the media to skew or move around.



18

Lower the media loading lever.



Normal feeding procedure

After lowering the media loading lever, move on to the next step.

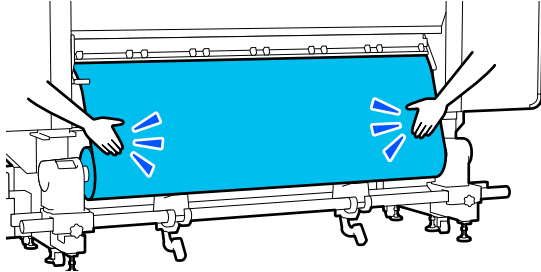
Take-up feeding procedure

Lower the media loading lever, and then continue to attach the media to the Auto Take-up Reel Unit. While the front cover is open, see the following to attach media to the Auto Take-up Reel Unit.

Basic Operations

 "Using the Auto Take-up Reel Unit" on page 77

- 19** Move to the back side, tap lightly on both edges of the media, and check if there is a difference in tension between the left and right sides.



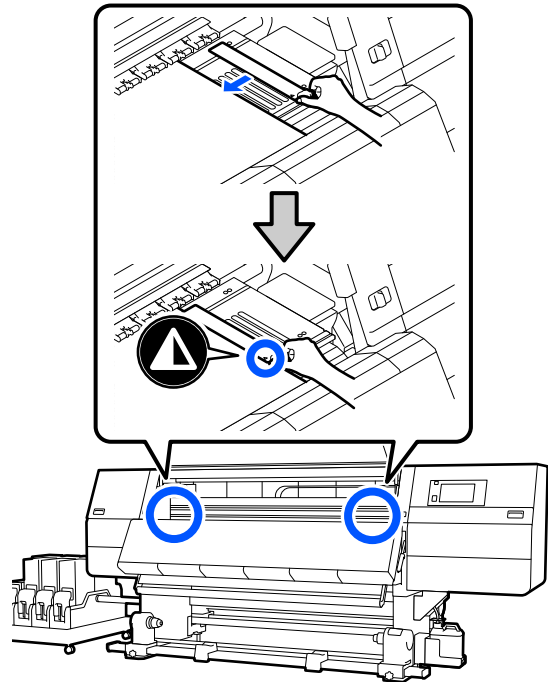
If there is a difference in tension, the media becomes loose.

From the front of the printer, raise the media loading lever, and correct the looseness in the media.

Once the looseness is corrected, lower the media loading lever.

- 20** Move to the front side, and while holding the tabs of the media edge plate on both sides, move the plate to the top edge of the media. Adjust so that the edges of the media are aligned with the center of the triangular holes in the media edge plates.

The media edge plates prevent the media from riding up and keep fibers on the cut edge of the media from touching the print head. Load correctly.

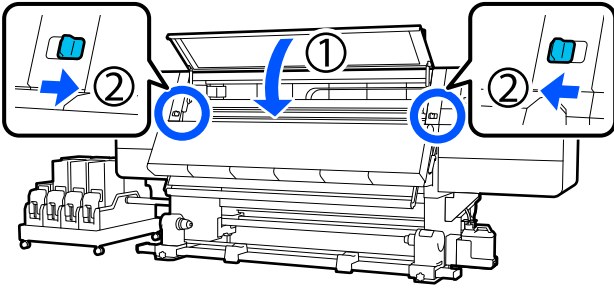


! Important:

- Do not use the media edge plates with media that is 0.4 mm (0.01 in.) or more thick. The media edge plates could touch and damage the print head.
- Always position the plates so that the edges of the media are at the centers of the triangular holes. Incorrect positioning causes banding (horizontal banding, tint unevenness, or stripes) during printing.
- Move the media edge plates to the left and right edges of the platen when they are not in use.
- Do not use the media edge plates if the sides of the printed media are smudged.

Basic Operations

21 Close the front cover, and then move the left and right lock levers inward.



22 Set the media information on the screen, and press **OK**.

Do the following settings here.

- Media: Set the media to use for printing
- Roll Winding Direction: How to wind the loaded media
- Media Length: Length of the loaded media
- Media Detection: How to detect the width of the media

When you select Media Settings while no Media Type is set in **Media**, the screen to select Media Type appears. Select the Media Type using the paper weight of the loaded media as a guideline as shown below. The paper weights of each Media Type shown in the screen are typical values.

Media Type	Paperweight (g/m ²)
Ultra-Thin	39 or under
Thin	40 to 56
Med-Thick	57 to 89
Thick	90 or over

In **Media Detection**, set **Width Detection**. Normally, leave this **On**.

See the following for details about Media Detection.

 [“General Settings menu” on page 152](#)

Press **OK**, to start operations, such as detecting the loaded media.

23 Follow the on-screen instructions to forward the edge of the media to the given position as necessary.

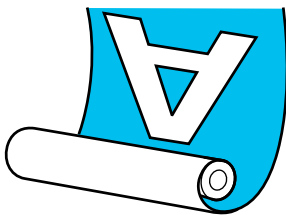
Basic Operations

Using the Auto Take-up Reel Unit

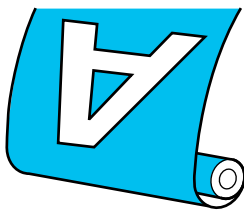
The Auto Take-up Reel Unit automatically takes up media as it is printed, improving the efficiency of unmanned operation.

The Auto Take-up Reel Unit for this printer can take up media in either of the following directions.

Printed side in



Printed side out



Taking-up with printed side in places the printed surface on the inside of the roll. "Printed side in" is recommended in most situations.

Taking-up with printed side out places the printed surface on the outside of the roll.

You can check the procedure in a video on YouTube.

[Video Manual](#) (Normal feeding procedure)

[Video Manual](#) (Take-up feeding procedure)

Caution:

- ❑ Follow the instructions in the manual when loading media or roll cores or removing media from the take-up roll. Dropping media, roll cores, or take-up rolls could result in injury.
- ❑ Be sure that your hands or hair do not get caught in the Media Feeding Unit or Auto Take-up Reel Unit while it is operating. Failure to observe these precautions could result in injury.
- ❑ Do not put your hand inside the dryer. Failure to observe the necessary precautions could result in burns.

Important points for correct take-up

Observe the following points for correct take-up of media.

- ❑ We recommend using a take-up roll core with the same width as the media. If a take-up roll core of a different width is used, the take-up roll core may bend, and the media will be taken up incorrectly.
- ❑ We recommend "printed side in" for the take-up of media. "Printed side out" may cause the media to move around and create a large misalignment with the roll. When take-up cannot be done correctly with "printed side out", do take-up using "printed side in".
- ❑ Media smaller than 36 inches wide may move around and be taken up incorrectly.
- ❑ Do not attach take-up roll cores like the ones shown in the following figure. The take-up tension will be uneven and the core will spin loosely. As a result, the paper cannot wind correctly, which may cause banding in the print results.

Edges are worn



Deformed



Basic Operations

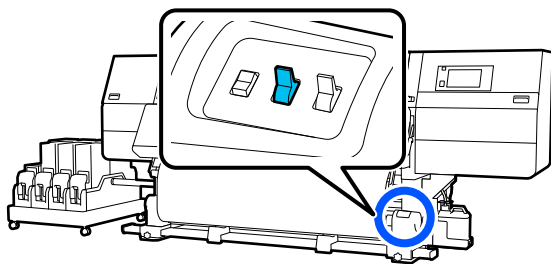
Attaching the Roll Core

What You'll Need

- ❑ Take-up roll core that is the same width as the media
- ❑ Commercially available adhesive tape

Loading

1 Set the Auto switch to Off.

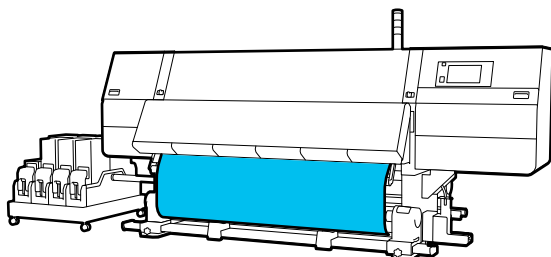
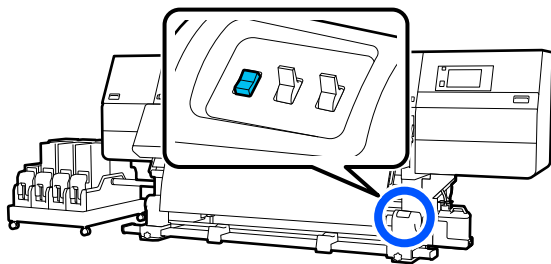


2 Confirm that the edge of the media is touching the media holder.

If not, follow the procedure below to have the edge of the media touch the media holder.

Normal feeding procedure

Hold down the near side of the media feed switch until the edge of the media reaches the media holder.



! **Important:**

Always press the media feed switch to feed the media. If the media is pulled by hand, the media may twist during take-up.

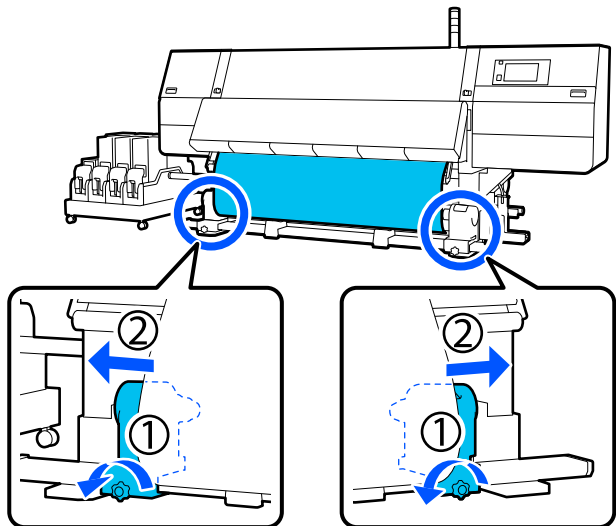
Take-up feeding procedure

Follow the Steps 16 to 18 of "Loading media" to pull out the media until its edge reaches the media holder.

"Loading media" on page 70

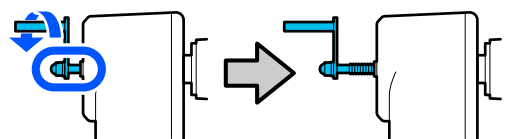
3 Loosen the media holder fixing screws on both sides and adjust the media holders so that the distance between the two is wider than the media.

If the roll supports are not positioned evenly, move them so that they are even.



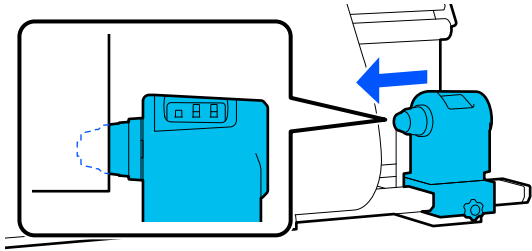
! **Important:**

If the left-side media holder handle's shaft is not visible, rotate the handle as shown in the illustration until it stops. The roll core cannot be properly loaded if the handle's shaft is not visible.

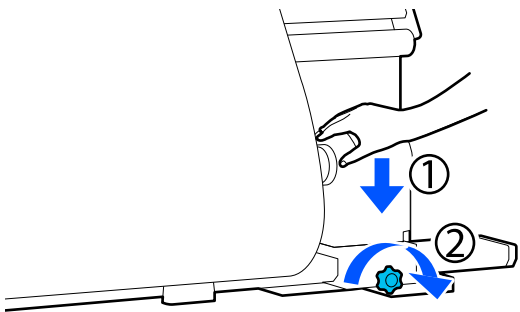


Basic Operations

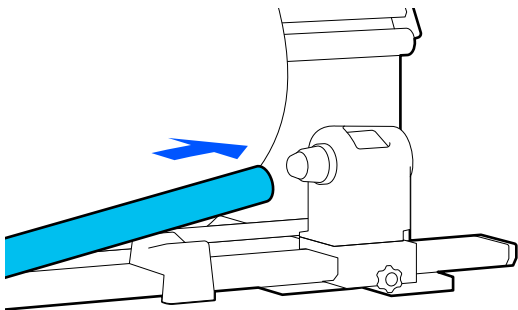
- 4** Align and move the right-side media holder to the right edge of the media.



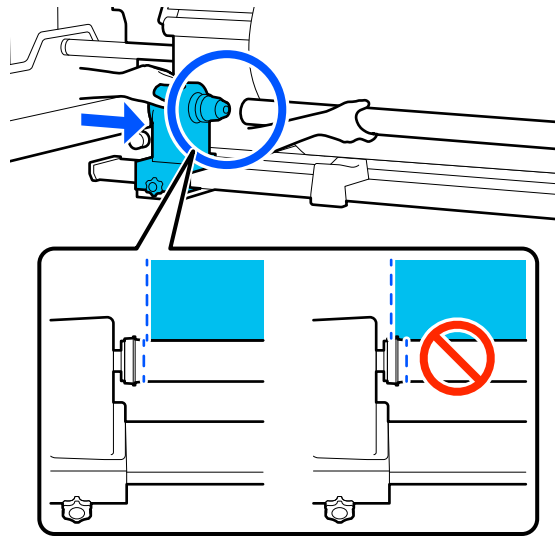
- 5** While pressing from the top of the media holder, tighten the fixing screw in place.



- 6** Insert the roll core onto the right-side media holder.



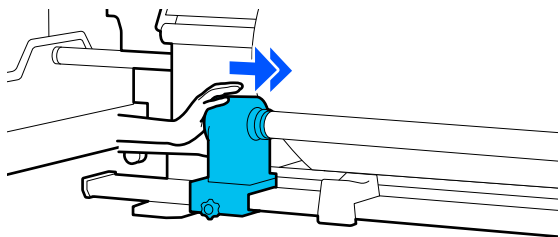
- 7** Check that the left-side media holder is fully inserted into the roll core and that the roll core and edges of the media are not misaligned.



! Important:

If the edges of the media are misaligned, the media cannot be taken up correctly. If the edges are misaligned, loosen the fixing screw for the right-side media holder, and then restart from Step 4.

- 8** To ensure that the media holder is sufficiently inserted into the roll core, push the top of the media holder towards the end of the roll two times.



! Important:

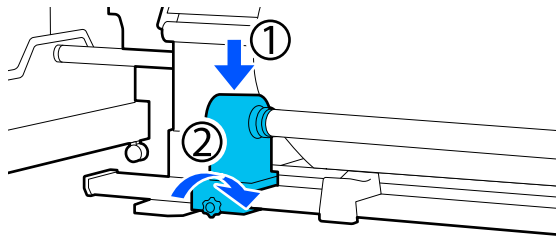
If the media holder is inserted into the roll core insufficiently, media is not fed correctly during printing because of slippage between the media holder and roll core.

This may cause banding in the print results.

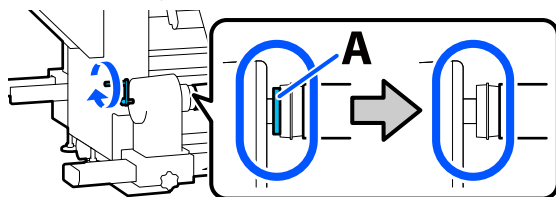
Basic Operations

- 9** While pressing from the top of the media holder, tighten the fixing screw.

Tighten it so the media holder does not move.



- 10** Rotate the handle until part A in the illustration below is fully inserted.



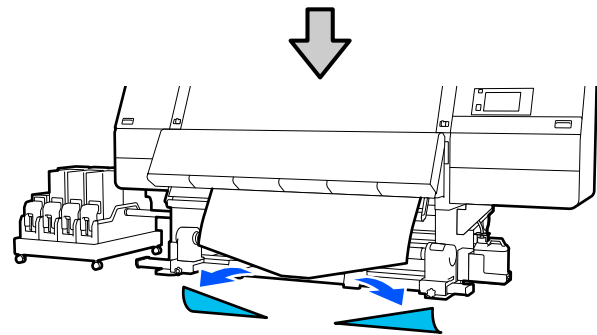
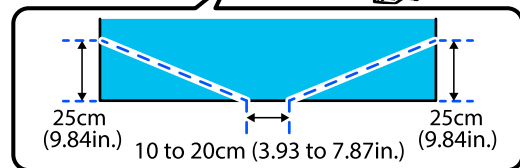
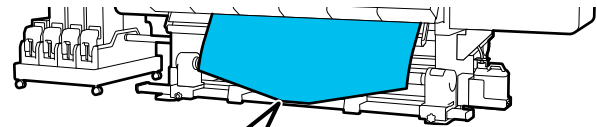
! **Important:**

Once part A is hidden, do not turn the handle any further. Failure to observe this precaution could damage the media holder.

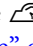
If part A is still visible even after the handle has been turned fully, rewind the handle. Loosen the media holder screw on the right side, and then restart from Step 5.

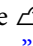
- 11** Leave a 10 to 20 cm (3.93 to 7.87 in.) wide section in the center of the media, and cut at least 25 cm (9.84 in.) in height from the left and right corners of the media.

Cutting the media prevents feeding problems, such as the left and right corners of media being folded and caught at the start of take-up.



Next, see the following according to the procedure.

Normal feeding procedure  "Take-up with the Normal Feeding Procedure" on page 81

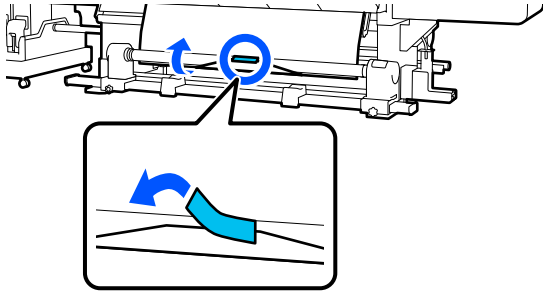
Take-up feeding procedure  "Take-up with the Take-Up Feeding Procedure" on page 83

Basic Operations

Take-up with the Normal Feeding Procedure

Printed side in

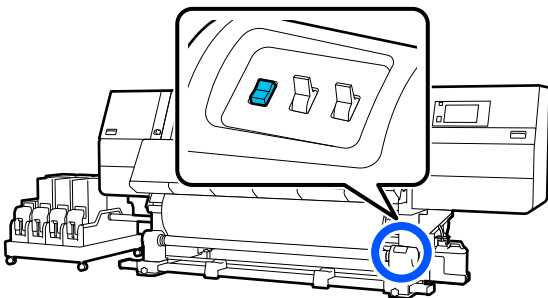
1 While pulling the center of the media straight down, wrap it around the roll core from back to front, and affix it using commercially available adhesive tape.




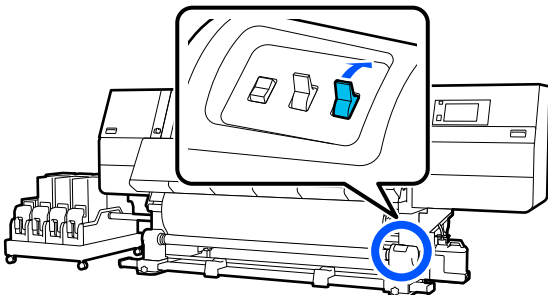
! Important:


Affix the media to the take-up roll core with the media pulled tightly. If media is affixed loosely, the media may move around during take-up.

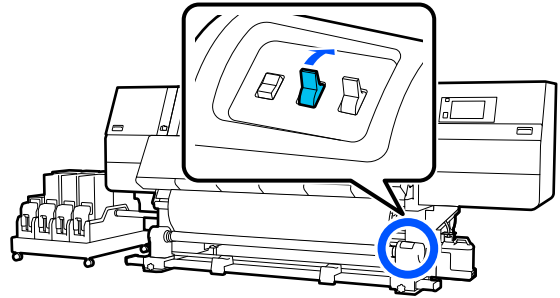
2 Hold down the near side of the media feed switch to feed enough media for a single wrap around the take-up roll core.



3 Hold down the Manual switch on the  side to take-up the media for a single wrap around the core.

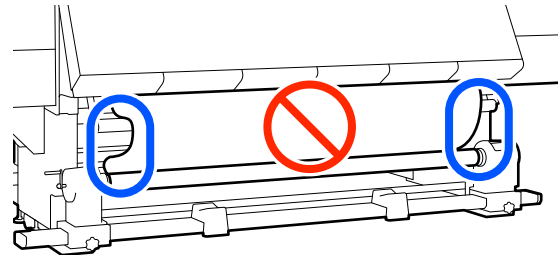


4 Flip the Auto switch to .



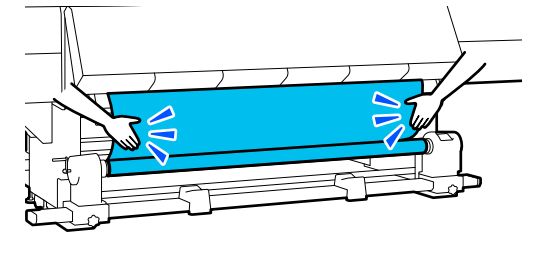
5 Confirm that the media is attached without looseness.

If the tension on the left and right of the media is different in the areas shown in the illustration below, the media will not be taken up correctly. When one side is loose, restart the procedure from Step 1.

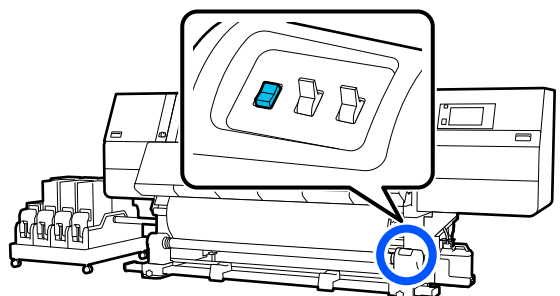


Note:

You can confirm differences in tension by lightly tapping both edges of the media as shown in the illustration below.



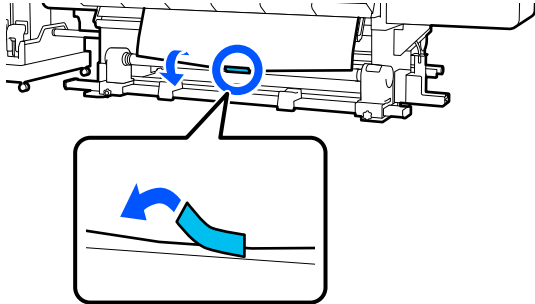
6 Hold down the near side of the media feed switch until both edges of the media are taken up and wrap around the core once or twice.



Basic Operations

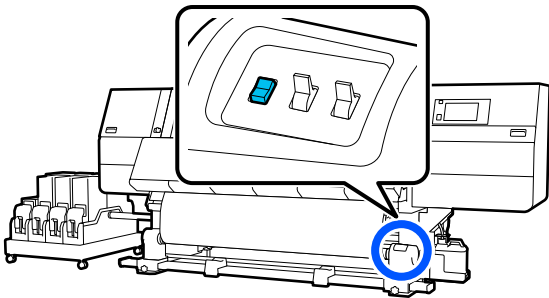
Printed side out

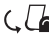
- 1 While pulling the center section of the media straight down, affix the media to the take up roll core with commercially available adhesive tape.

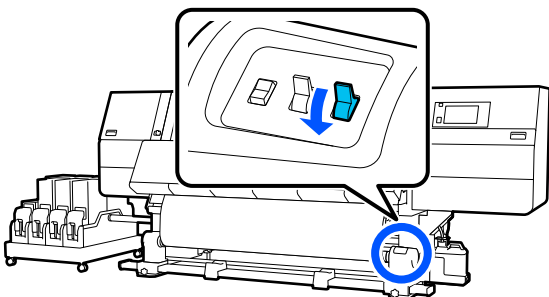



! Important:
Affix the media to the take-up roll core with the media pulled tightly. If media is affixed loosely, the media may move around during take-up.

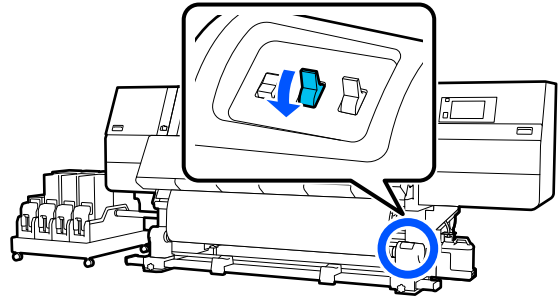
- 2 Hold down the near side of the media feed switch to feed enough media for a single wrap around the take-up roll core.



- 3 Hold down the Manual switch on the  side to take-up the media for a single wrap around the core.

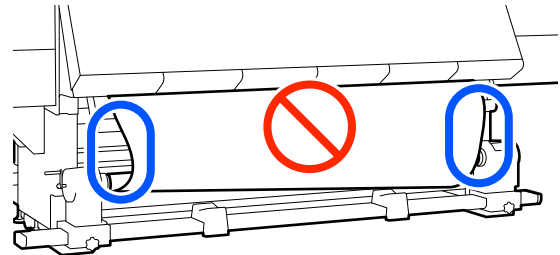


- 4 Flip the Auto switch to .

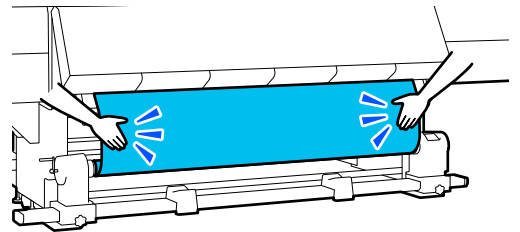


- 5 Confirm that the media is attached without looseness.

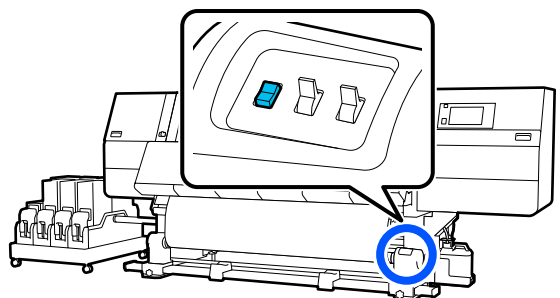
If the tension on the left and right of the media is different in the areas shown in the illustration below, the media will not be taken up correctly. When one side is loose, restart the procedure from Step 1.



Note:
You can confirm differences in tension by lightly tapping both edges of the media as shown in the illustration below.



- 6 Hold down the near side of the media feed switch until both edges of the media are taken up and wrap around the core once or twice.

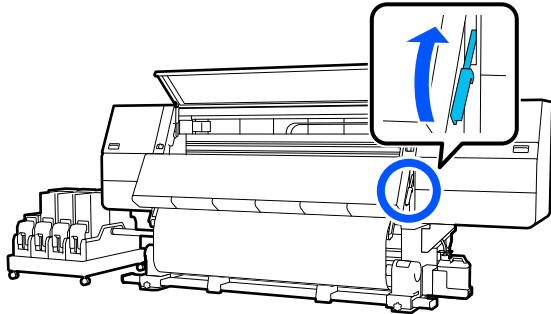


Basic Operations

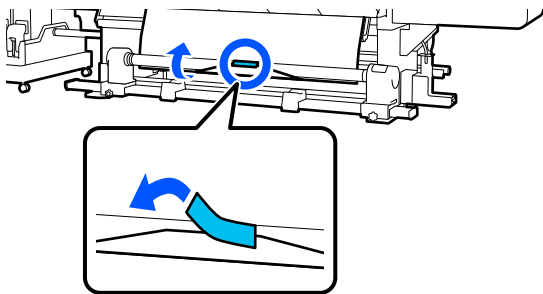
Take-up with the Take-Up Feeding Procedure

Printed side in

- 1 Confirm that the front cover is open.
- 2 Raise the media loading lever.




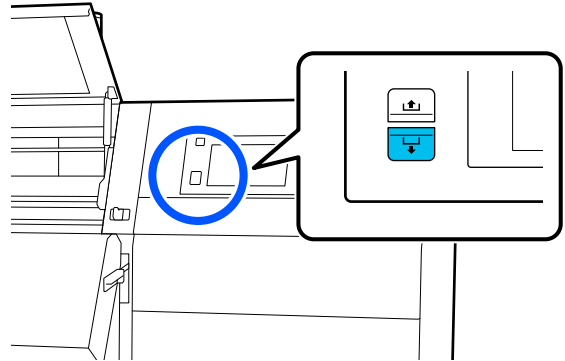
- 3 While pulling the center of the media straight down, wrap it around the roll core from back to front, and affix it using commercially available adhesive tape.



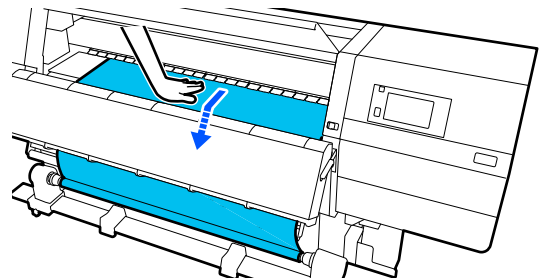
! **Important:**


Affix the media to the take-up roll core with the media pulled tightly. If media is affixed loosely, the media may move around during take-up.

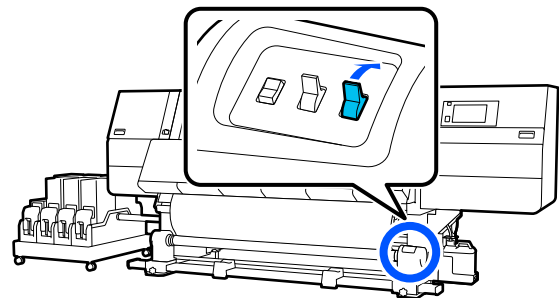
- 4 Repeat the following procedure and take-up the media for a double wrap around the roll core.
 - a. Hold the  button pressed to slightly slacken the media at the back side.



- b. While holding the center of the media on the platen, pull it out by moving it toward yourself, and slacken the media at the front side.




- c. Hold down the Manual switch on the  side to take-up the slack media around the core.

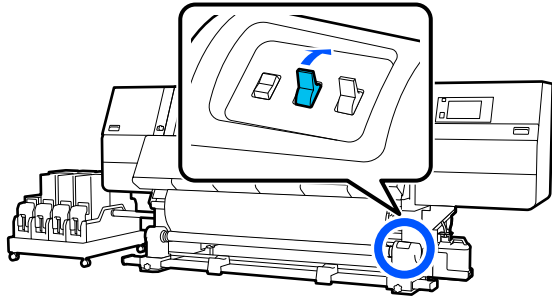


! **Important:**

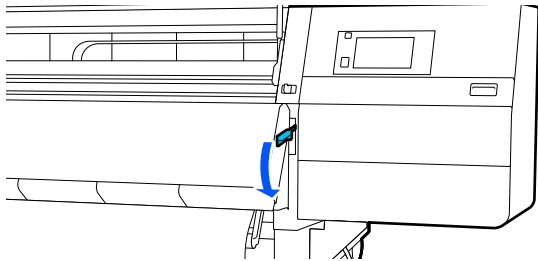
When taking-up the media around the core, do take-up of only the slackened part. If you do take-up without slackening, it will cause problems, such as wrinkles.

Basic Operations

5 Flip the Auto switch to .

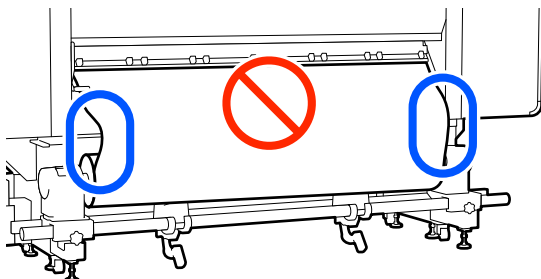
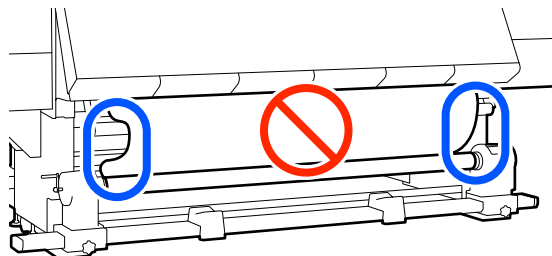


6 Lower the media loading lever.



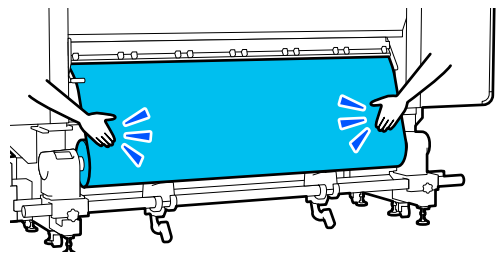
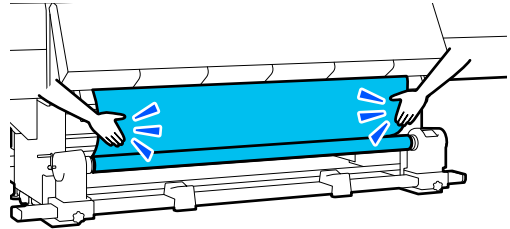
7 Confirm that the media is attached without looseness on the front and back sides.

If the tension on the left and right of the media is different in the areas shown in the illustration below, the media will not be taken up correctly. When one side is loose, restart the procedure from Step 2.



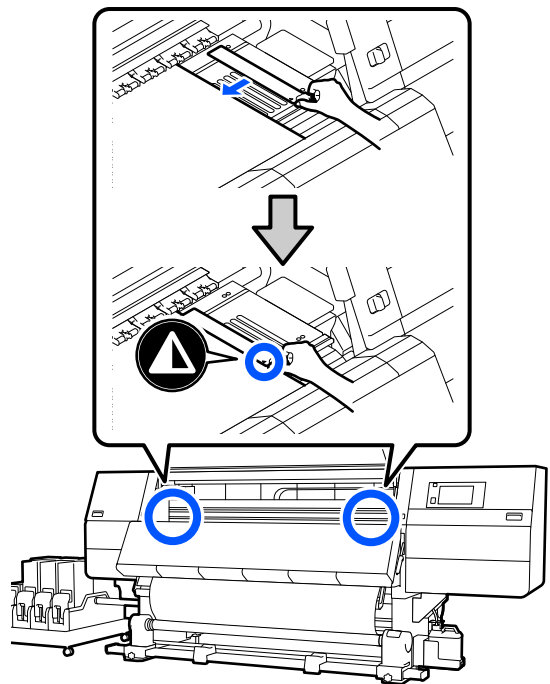
Note:

You can confirm differences in tension by lightly tapping both edges of the media as shown in the illustration below.



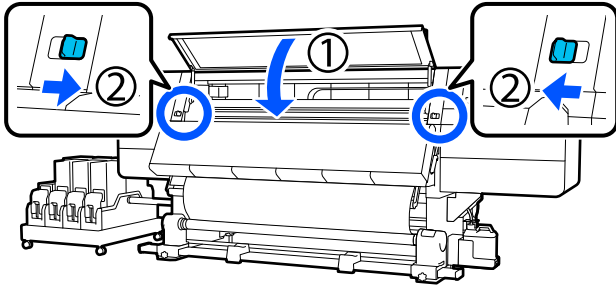
8 Move to the front side, and while holding the tabs of the media edge plate on both sides, move the plate to the top edge of the media. Adjust so that the edges of the media are aligned with the center of the triangular holes in the media edge plates.

The media edge plates prevent the media from riding up and keep fibers on the cut edge of the media from touching the print head. Load correctly.



Basic Operations

9 Close the front cover, and then move the left and right lock levers inward.



10 Set the media information on the screen, and press OK.

Do the following settings here.

- Media: Set the media to use for printing
- Roll Winding Direction: How to wind the loaded media
- Media Length: Length of the loaded media
- Media Detection: How to detect the width of the media

When you select Media Settings while no Media Type is set in **Media**, the screen to select Media Type appears. Select the Media Type using the paper weight of the loaded media as a guideline as shown below. The paper weights of each Media Type shown in the screen are typical values.

Media Type	Paperweight (g/m ²)
Ultra-Thin	39 or under
Thin	40 to 56
Med-Thick	57 to 89
Thick	90 or over

In **Media Detection**, set **Width Detection**. Normally, leave this **On**.

See the following for details about Media Detection.

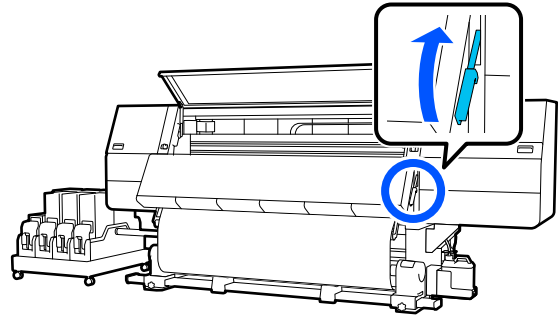
[“General Settings menu” on page 152](#)

Press **OK**, to start operations, such as detecting the loaded media.

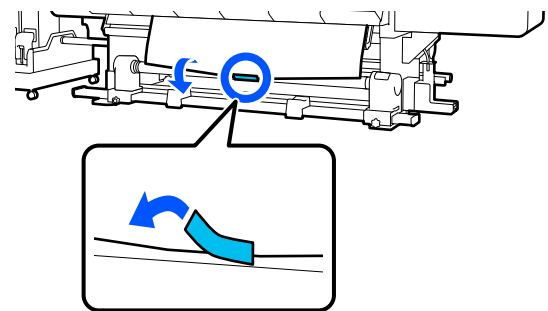
Printed side out

1 Confirm that the front cover is open.

2 Raise the media loading lever.



3 While pulling the center section of the media straight down, affix the media to the take up roll core with commercially available adhesive tape.

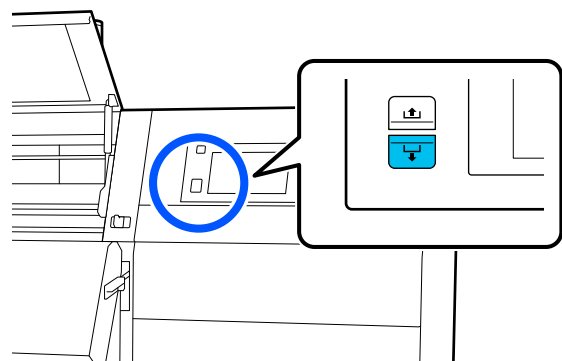


! Important:

Affix the media to the take-up roll core with the media pulled tightly. If media is affixed loosely, the media may move around during take-up.

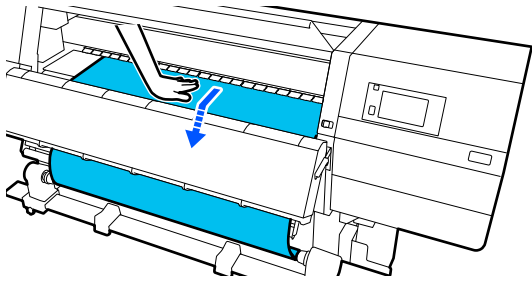
4 Repeat the following procedure and take-up the media for a double wrap around the roll core.

- a. Hold the button pressed to slightly slacken the media at the back side.

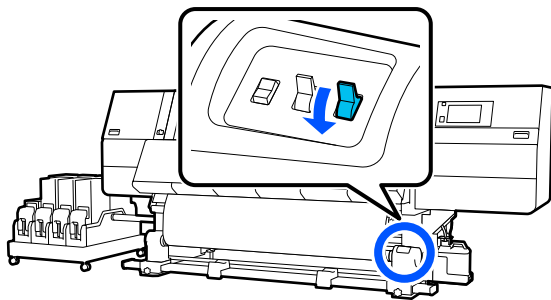


Basic Operations

b. While holding the center of the media on the platen, pull it out by moving it toward yourself, and slacken the media at the front side.




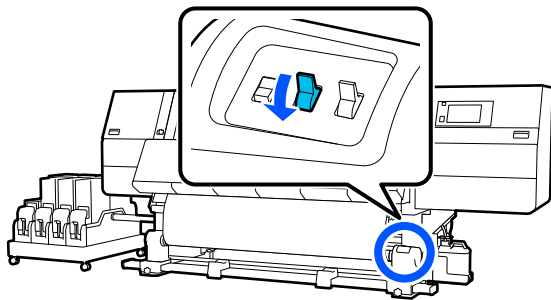
c. Hold down the Manual switch on the side to take-up the slack media around the core.



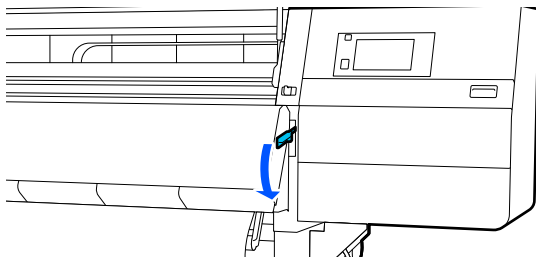
! Important:

When taking-up the media around the core, do take-up of only the slackened part. If you do take-up without slackening, it will cause problems, such as wrinkles.

5 Flip the Auto switch to .

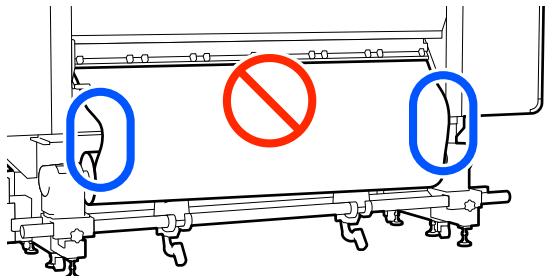
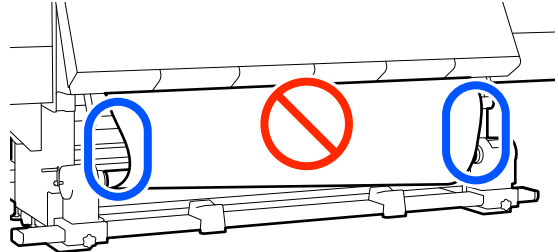


6 Lower the media loading lever.



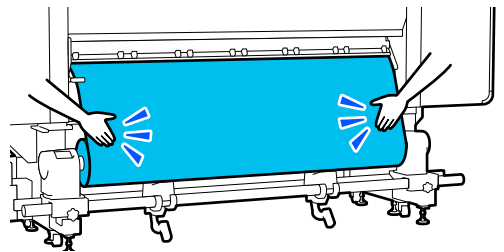
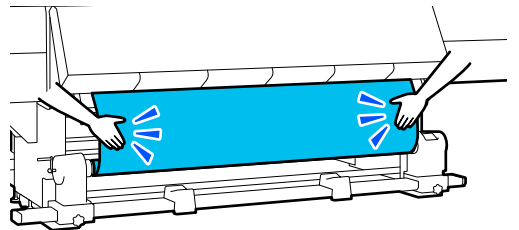
7 Confirm that the media is attached without looseness on the front and back sides.

If the tension on the left and right of the media is different in the areas shown in the illustration below, the media will not be taken up correctly. When one side is loose, restart the procedure from Step 2.



Note:

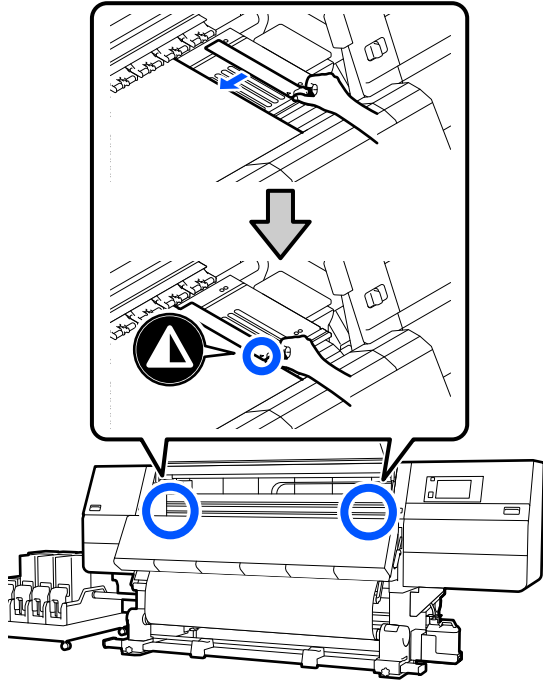
You can confirm differences in tension by lightly tapping both edges of the media as shown in the illustration below.



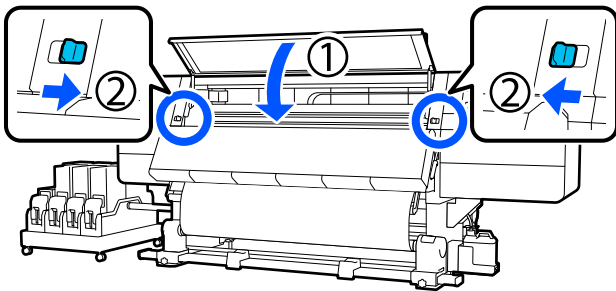
Basic Operations

8 Move to the front side, and while holding the tabs of the media edge plate on both sides, move the plate to the top edge of the media. Adjust so that the edges of the media are aligned with the center of the triangular holes in the media edge plates.

The media edge plates prevent the media from riding up and keep fibers on the cut edge of the media from touching the print head. Load correctly.



9 Close the front cover, and then move the left and right lock levers inward.



10 Set the media information on the screen, and press **OK**.

Do the following settings here.

- Media: Set the media to use for printing
- Roll Winding Direction: How to wind the loaded media
- Media Length: Length of the loaded media

- Media Detection: How to detect the width of the media

When you select Media Settings while no Media Type is set in **Media**, the screen to select Media Type appears. Select the Media Type using the paper weight of the loaded media as a guideline as shown below. The paper weights of each Media Type shown in the screen are typical values.

Media Type	Paperweight (g/m ²)
Ultra-Thin	39 or under
Thin	40 to 56
Med-Thick	57 to 89
Thick	90 or over

In **Media Detection**, set **Width Detection**. Normally, leave this **On**.

See the following for details about Media Detection.

[🔗 “General Settings menu” on page 152](#)

Press **OK**, to start operations, such as detecting the loaded media.

Removing the Take-up Roll

Follow the steps below when replacing the media.

1. Set Information Printing at Media Cut.



2. Cut the media.



3. Remove the media.

Basic Operations

Setting Information Printing at Media Cut

Setting **Information Printing at Media Cut** in advance is useful because information that is helpful when managing media is printed whenever media is cut.

For example, when **Paper Remaining Information** is turned **On**, the length of media that is remaining is printed. By printing the remaining amount on the media being removed, you can check this value the next time the media is loaded and enter the media length. This is useful for accurate management of the amount of media remaining.

See the following for details about Information Printing at Media Cut.

 [“General Settings menu” on page 152](#)

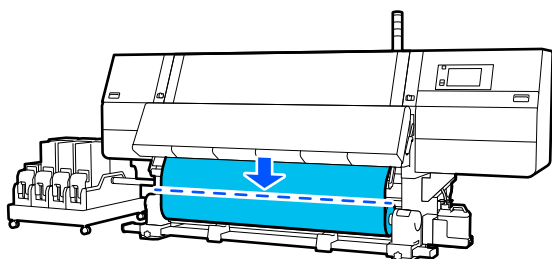
Cutting Media

 **Caution:**

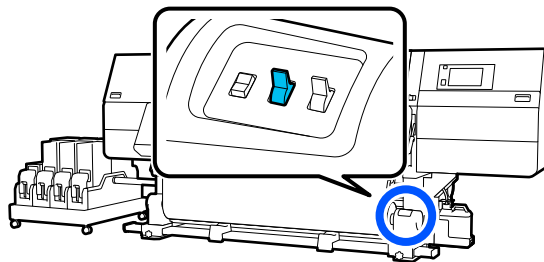
- The dryer may be hot; observe all necessary precautions. Failure to observe the necessary precautions could result in burns.
- Do not put your hand inside the dryer. Failure to observe the necessary precautions could result in burns.
- When cutting media, be careful not to cut your fingers or hands with the cutter or other blades.

1 On the control panel screen, press the  and then **Forward**.

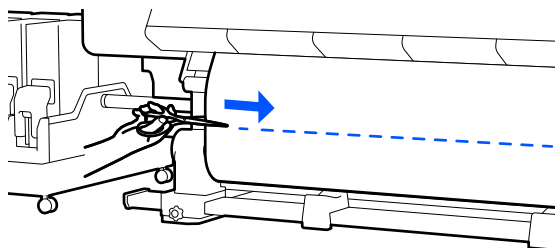
If you want to adjust the cut position, change the value of the position.



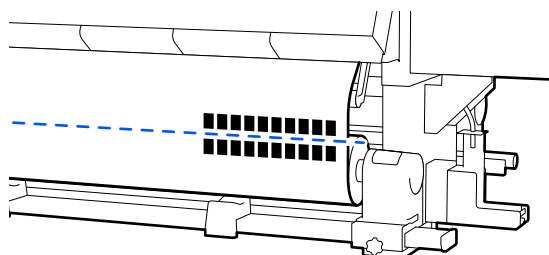
2 Turn Off the Auto switch of the Auto Take-up Reel Unit.



3 Cut the media at the bottom of the media guide bar using scissors.



When information, such as the remaining amount of media, is printed, a line is printed at the cut position. Print Information is printed on the printed side of the cut position, and Paper Remaining Information is printed on the unused side, so cut along that line.

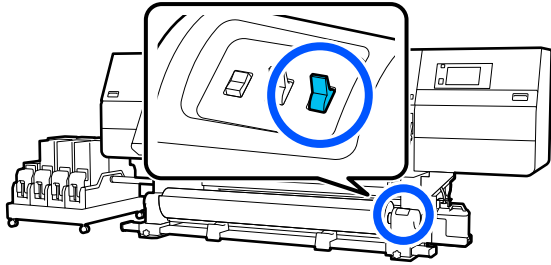


 **Important:**

When you cut the media, check that it does not rise up inside the front cover or has not come free from the media edge plate before printing.

Basic Operations

- Take up the cut media completely by operating the Manual switch according to how the media is rolled.

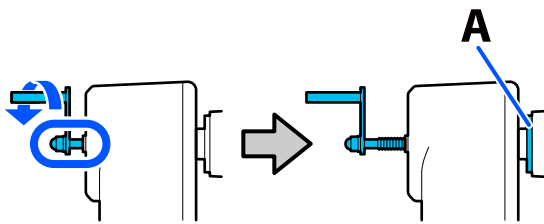


Removing Media

⚠ Caution:

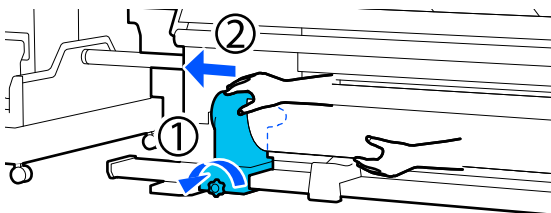
- ❑ If the media weighs over 20 kg (44.09 lb.), it should not be carried by one person. When loading or removing the media, use at least two people.
- ❑ Follow the instructions in the manual when loading media or roll cores or removing the take-up roll. Dropping media, roll cores, or take-up rolls could result in injury.

- Rotate the left media holder handle to the far side until it stops.

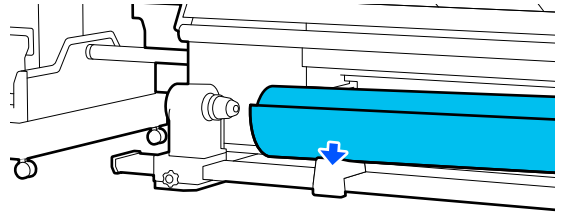


The part A on the illustration and the shaft of the handle will be visible.

- To prevent the media from sliding off the roll, support the roll at its left end.
- Loosen the left media holder fixing screw and remove the media holder.



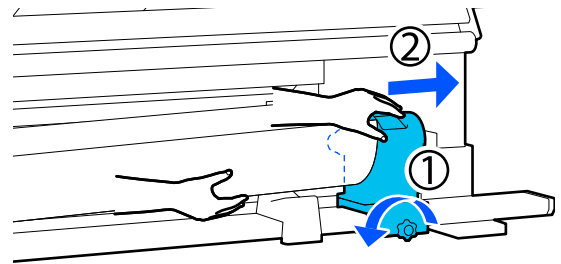
- Lower the roll onto the roll support.



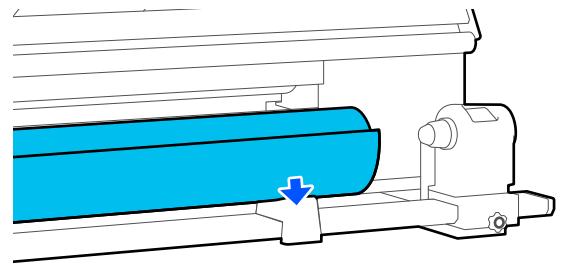
Be careful not to trap your hands between the roll and the roll support.

- To prevent the media from sliding off the roll, support the roll at its right end.

- Loosen the right media holder fixing screw and remove the media holder.



- Lower the roll onto the roll support.



Be careful not to trap your hands between the roll and the roll support.

Removing the Loaded Media

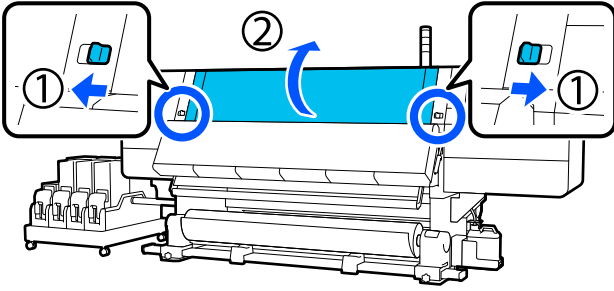
Follow the steps below when removing the media that is loaded on the back side during replacement and so on.

- Cut the media.

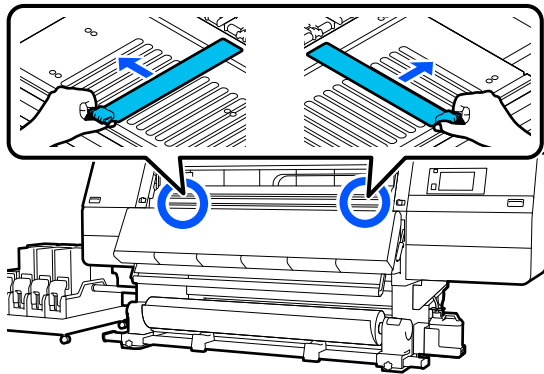
👉 [“Cutting Media” on page 88](#)

Basic Operations

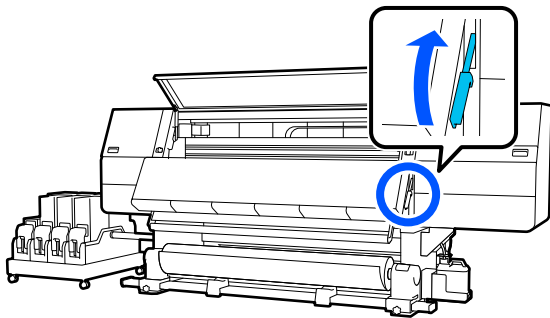
- 2 Move the lock lever on the left and right side outwards to open the front cover.



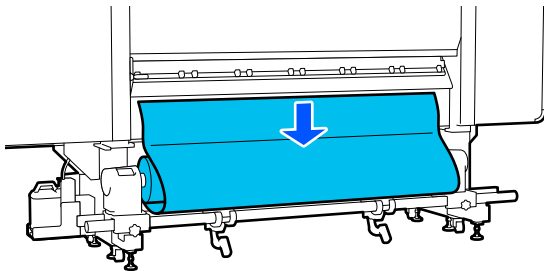
- 3 While holding the tabs of the media edge plate on both sides, move the plate out of the way toward both edges of the platen.



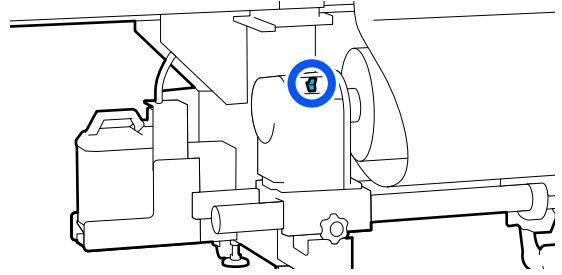
- 4 Raise the media loading lever.



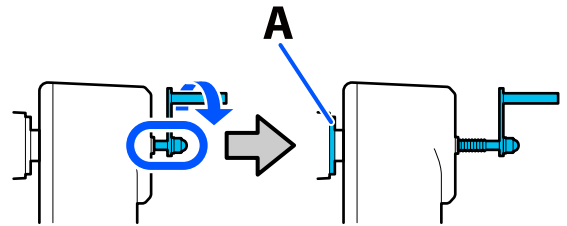
- 5 Move to the back side, and remove the media toward the rear.



- 6 Take up the media by operating the drive switch according to how the media is rolled.

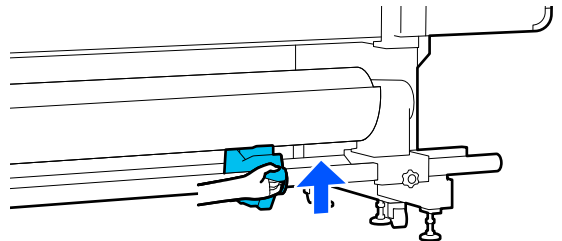


- 7 Rotate the right media holder handle to the near side until it stops.

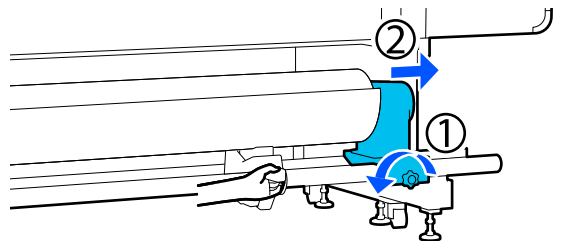


The part A on the illustration and the shaft of the handle will be visible.

- 8 To prevent the media from dropping, lift up the right lift lever to support media.

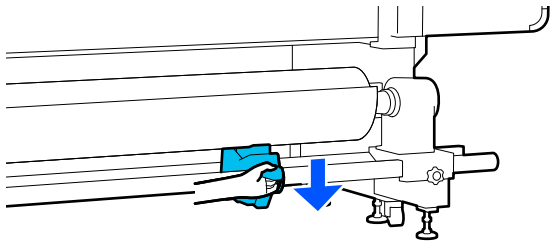


- 9 Loosen the right media holder fixing screw and remove the media holder.

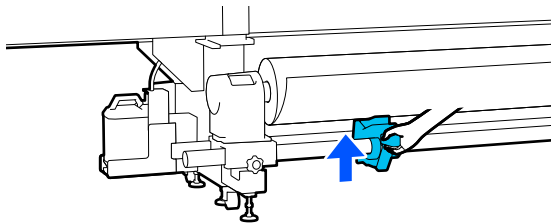


Basic Operations

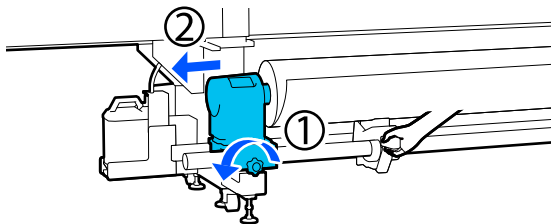
- 10** Lower the lift lever and lower the media onto the roll support.



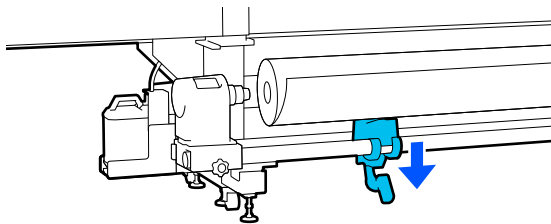
- 11** To prevent the media from dropping, lift up the left lift lever to support media.



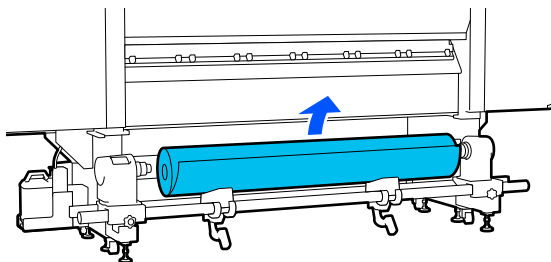
- 12** Loosen the left media holder fixing screw and remove the media holder.



- 13** Lower the lift lever and lower the media onto the roll support.

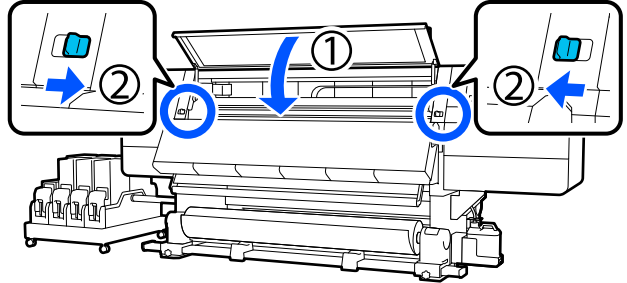


- 14** Remove the media.

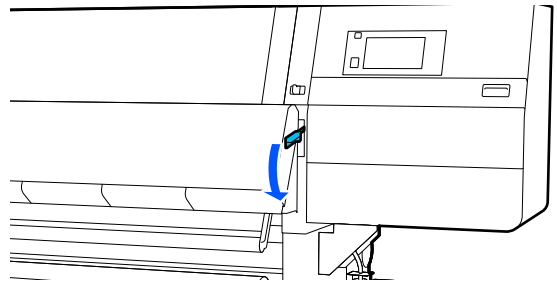


If the weight of the media is 40 kg (88.18 lb.) or more, then remove it using the lifter.

- 15** Close the front cover, and then move the left and right lock levers inward.



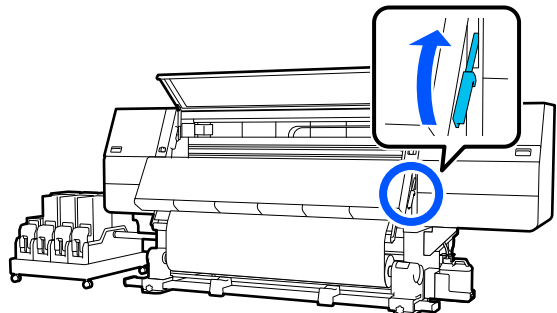
- 16** Lower the media loading lever.



When the Remaining Media Runs Out

When the remaining media runs out during printing, a message is displayed on the display screen of the control panel. Follow the on-screen instructions and continue printing by replacing the media using the following procedure.

- 1** Raise the media loading lever.

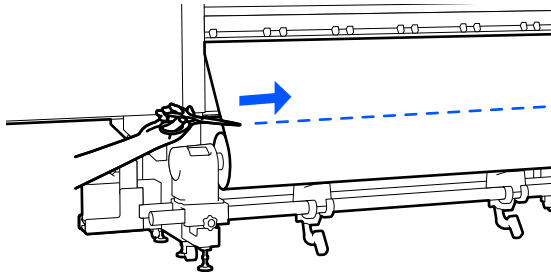


Basic Operations

- 2** Move to the back side and check the condition of the media.

If the media is affixed to the roll core, then cut it apart using scissors as seen in the illustration, and move on to the next procedure.

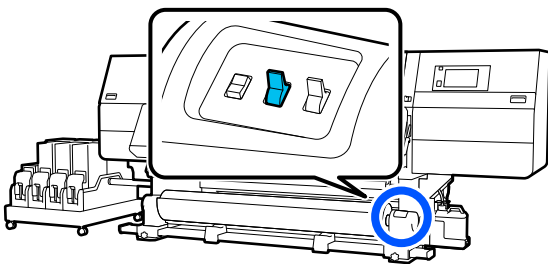
If it is not affixed, then move on to the next procedure straight away.



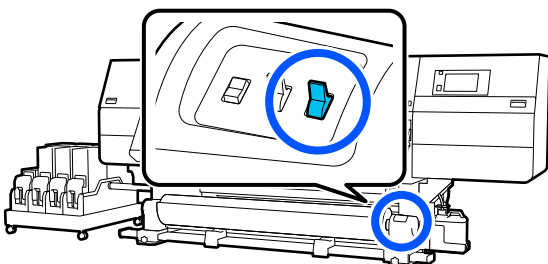
- 3** Follow the Steps 6 to 14 on "Removing the Loaded Media" to remove the roll core.

☞ "Removing the Loaded Media" on page 89

- 4** Move to the front side, and turn Off the Auto switch of the Auto Take-up Reel Unit.



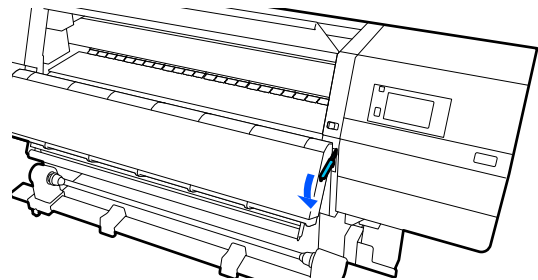
- 5** Take up the media completely by operating the Manual switch as necessary.



- 6** Follow the procedure on "Removing Media" to remove the roll.

☞ "Removing Media" on page 89

- 7** Lower the media loading lever.



Follow the on-screen instructions to load a new media, and attach it to the Auto Take-up Reel Unit to resume printing.

☞ "Loading media" on page 70

☞ "Using the Auto Take-up Reel Unit" on page 77

Before Printing

To maintain print quality, perform the following inspection before starting work each day.

Check the amount of ink remaining:

Check the amount of ink remaining, and replace the old ink cartridge if ink is expended. If ink is expended during printing, the printer automatically switches to the other ink cartridge and continues printing.

You can replace the expended ink cartridge while printing continues.

You can check the ink level on the Home screen.

☞ "Understanding and Operating the Display" on page 22

Replacing Ink Cartridges ☞ "Replacement procedure" on page 119

Print head nozzle check:

Perform a print head nozzle check to check for clogged nozzles.

Perform print head cleaning if parts of the printed pattern are faint or missing.

Print head nozzle check ☞ "Printing nozzle check patterns" on page 137

Basic Operations

Head Cleaning  [“Print Head Cleaning” on page 138](#)

Print Adjustments

Use this menu in the following cases.

Using new media not registered to the printer

Perform **Automatic Adjustment** after loading media to the printer.

When banding or graininess is found in the print results even after Automatic Adjustment is performed

Perform **Print Head Alignment** and **Media Feed Adjustment** manually.




When changing Advanced Settings after saving media settings

Automatic Adjustment

Print head position and media feed are adjusted while printing the pattern.

The approximate maximum length of the media required to print the test pattern is given below.

Approx. 600 mm (23.62 in.)

- 1 Check that the printer is ready, and load the media according to the actual usage conditions.
When using the Auto Take-up Reel Unit, attach the media to the roll core.
 [“Loading media” on page 70](#)
 [“Using the Auto Take-up Reel Unit” on page 77](#)
- 2 Press , and then press in the order of **Media Settings - Print Adjustments - Automatic Adjustment**.
- 3 Press **Start**.
Auto adjust starts, and an adjustment pattern is printed. Wait until adjustment is complete.




Print Head Alignment

Auto

The same adjustment as Print Head Alignment of Automatic Adjustment is performed.

The approximate maximum length of the media required to print the test pattern is given below.

Approx. 300 mm (11.81 in.)

- 1 Check that the printer is ready, and load the media according to the actual usage conditions.
When using the Auto Take-up Reel Unit, attach the media to the roll core.
 [“Loading media” on page 70](#)
 [“Using the Auto Take-up Reel Unit” on page 77](#)
- 2 Press , and then press in the order of **Media Settings - Print Adjustments - Print Head Alignment - Auto**.
- 3 Press **Start**.
Auto adjust starts, and an adjustment pattern is printed. Wait until adjustment is complete.

Manual

You can select **Manual(Simple)** or **Manual(Standard)** to make adjustments.

Manual(Simple)

Select this when Auto adjustment has failed or when you want to perform quick and simple adjustment by visually inspecting the pattern.

Manual(Standard)

Select this when you want to perform adjustment equivalent to Auto adjustment by visually inspecting the pattern.

The approximate maximum length of the media required to print the test pattern is given below.

Manual(Simple): Approx. 50 mm (1.96 in.)

Manual(Standard): Approx. 150 mm (5.9 in.)

Basic Operations

Adjustment Procedure

- 1** Check that the printer is ready, and load the media according to the actual usage conditions.

When using the Auto Take-up Reel Unit, attach the media to the roll core.

[“Loading media” on page 70](#)

[“Using the Auto Take-up Reel Unit” on page 77](#)
- 2** Press , and then press in the order of **Media Settings - Print Adjustments - Print Head Alignment**.
- 3** Select **Manual(Simple)** or **Manual(Standard)**, and then press **Start**.

An adjustment pattern is printed. Wait until printing is complete.
- 4** Check the printed adjustment pattern.

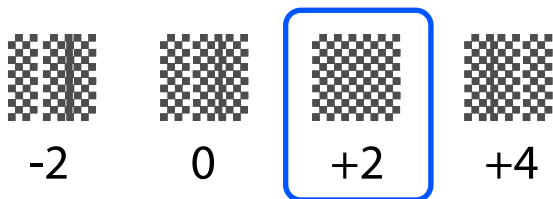
Adjustment pattern blocks are printed as shown below according to the type of manual adjustments.

Manual(Simple): 4 blocks, A to D

Manual(Standard): 31 blocks, A to Z and a to e

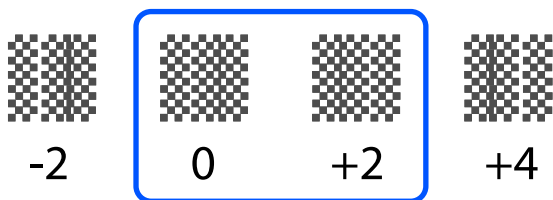
Select the pattern with the least tint unevenness for each block.

Select “+2” in the cases shown below.



If there are patterns where unevenness is the same, set an intermediate value in Step 5.

Set “+1” in the cases shown below.



- 5** The screen for entering confirmation results for the adjustment pattern is displayed.

On the entry screen of each block, set the number confirmed in Step 4 by pressing / , and then press **OK**.

The Media Settings menu is displayed when you finish the adjustments.

Media Feed Adjustment

This menu is used when banding (horizontal banding, tint unevenness, or stripes) is detected in printing results.

You can select Auto or Manual to make adjustments.

Auto

You can select **Auto(Standard)** or **Auto(Details)** to make adjustments.

Auto(Standard)

Select this when you want to perform quick and simple adjustment, such as for readjustment before the roll is used up.

The same adjustment as Media Feed Adjustment of Automatic Adjustment is performed.

Auto(Details)

Select this when you want to make highly precise adjustments, such as for improving the print quality of characters or ruled lines.

The approximate maximum length of the media required to print the test pattern is given below.

Auto(Standard): Approx. 300 mm (11.81 in.)

Auto(Details):

300x600dpi -1.1 pass	: Approx. 450 mm (17.71 in.)
300x600dpi -1.5 pass	: Approx. 450 mm (17.71 in.)
300x600dpi -2.1 pass	: Approx. 300 mm (11.81 in.)


Basic Operations

300x600dpi -3.1 pass	: Approx. 200 mm (7.87 in.)
600x600dpi -2.1 pass	: Approx. 300 mm (11.81 in.)
600x600dpi -2.5 pass	: Approx. 250 mm (9.84 in.)
600x600dpi -3.1 pass	: Approx. 200 mm (7.87 in.)
600x600dpi -4.3 pass	: Approx. 200 mm (7.87 in.)
600x1200dpi -5.0 pass	: Approx. 200 mm (7.87 in.)
600x1200dpi -5.0 pass HD	: Approx. 200 mm (7.87 in.)
1200x1200dpi -9.0 pass HD	: Approx. 150 mm (5.90 in.)

- 1 Check that the printer is ready, and load the media according to the actual usage conditions.

When using the Auto Take-up Reel Unit, attach the media to the roll core.

[☞ “Loading media” on page 70](#)

[☞ “Using the Auto Take-up Reel Unit” on page 77](#)
- 2 Press , and then press in the order of **Media Settings - Print Adjustments - Media Feed Adjustment**.
- 3 Select **Auto(Standard)** or **Auto(Details)**, and then press **Start**.

Auto adjust starts, and an adjustment pattern is printed. Wait until adjustment is complete.

Selecting **Auto(Details)** displays the pass mode selection screen. Check that a pass mode to be used for printing is selected, and then press **OK**.

Manual

You can select **Manual(Standard)** or **Manual(Measurement)** to make adjustments.

Manual(Standard)

Make a selection in the following cases.

- When Auto adjustment has failed
- When you want to perform quick and simple adjustment by visually inspecting the pattern

Manual(Measurement)

Make a selection in the following cases.

- When Auto and Manual(Standard) adjustments have failed
- When banding can be seen in the print results even after doing the adjustments for Manual(Standard)
- When it is difficult to check the patterns for Manual(Standard) due to bleeding ink, etc.
- When you want to print with accurate length

The approximate maximum length of the media required to print the test pattern is given below.

Manual(Standard): Approx. 100 mm (3.93 in.)


Manual(Measurement): Approx. 600 mm (23.62 in.)

Adjustment Procedure

- 1 Check that the printer is ready, and load the media according to the actual usage conditions.

When using the Auto Take-up Reel Unit, attach the media to the roll core.

[☞ “Loading media” on page 70](#)

[☞ “Using the Auto Take-up Reel Unit” on page 77](#)
- 2 Press , and then press in the order of **Media Settings - Print Adjustments - Media Feed Adjustment - Manual(Standard)**.
- 3 Press **Start**.

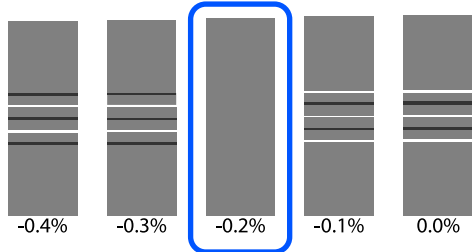
An adjustment pattern is printed. Wait until printing is complete.

Basic Operations

4 Check the printed adjustment pattern.

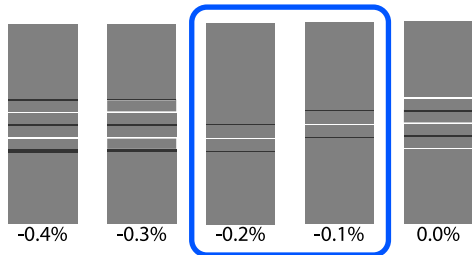
When Manual(Standard) is selected

Two groups of adjustment patterns, A and B, are printed. Select the pattern with the least amount of overlapping or gaps for each group. Select “-0.2%” in the cases shown below.



If there are patterns where the overlapping or gaps are the same, enter the middle value in Step 5.

Enter “-0.15%” in the cases shown below.



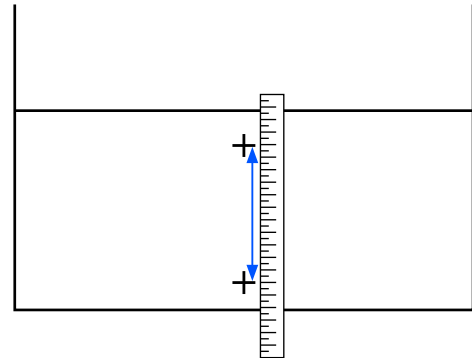
If all of the adjustment patterns contain overlaps or gaps, and you cannot narrow it down to 1, select the pattern with the least overlaps and gaps. Do Steps 2 to 5 again, and repeat them until a pattern with no overlaps or gaps is printed.

If the pattern is difficult to check, such as if the ink bleeds, input "0.0%" one time.

In this situation, the media feed is not adjusted. Do the following steps to complete Manual(Standard), and then perform Manual(Measurement) again.

When Manual(Measurement) is selected

Measure the space between patterns using a scale of up to 0.5 mm (0.02 in.).



5 The screen for entering confirmation results for the adjustment pattern is displayed.

When Manual(Standard) is selected

Set the values printed under the patterns selected in A and B, and then press **OK**.

When Manual(Measurement) is selected

Set the value measured in Step 4, and then press **OK**.

When adjustments are complete, the Home screen is displayed.

Basic Operations

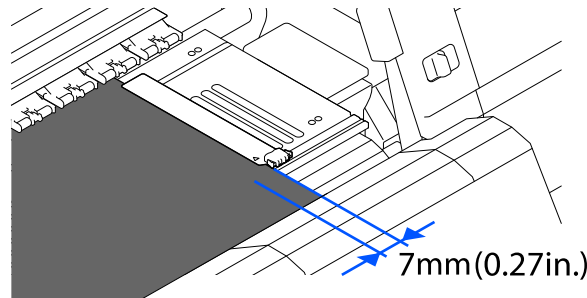
Printable area

Left and Right Edge Positions of Media

The left and right edges of media recognized by the printer vary, as shown below, according to the Width Detection settings.

Width Detection On : The printer automatically detects the left and right edges of the loaded media.

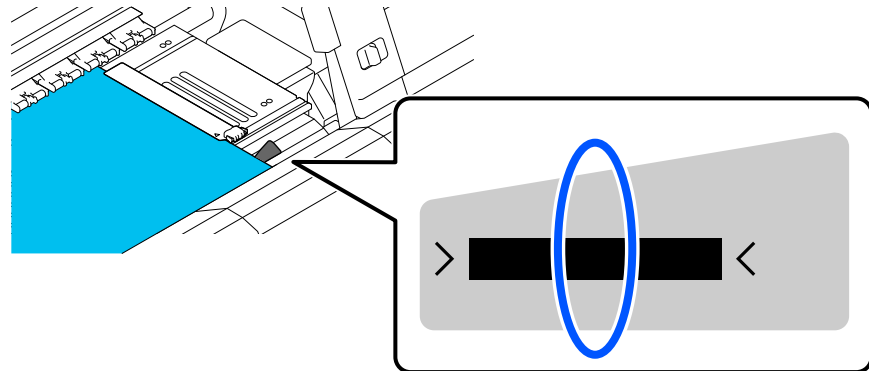
When media edge plates are attached, the edge of the media is recognized as within 7 mm (0.27 in.) of the left and right edges of the media.



The edges of the media are not detected correctly if the media edge plates are not attached correctly.

 [“Loading media” on page 70](#)

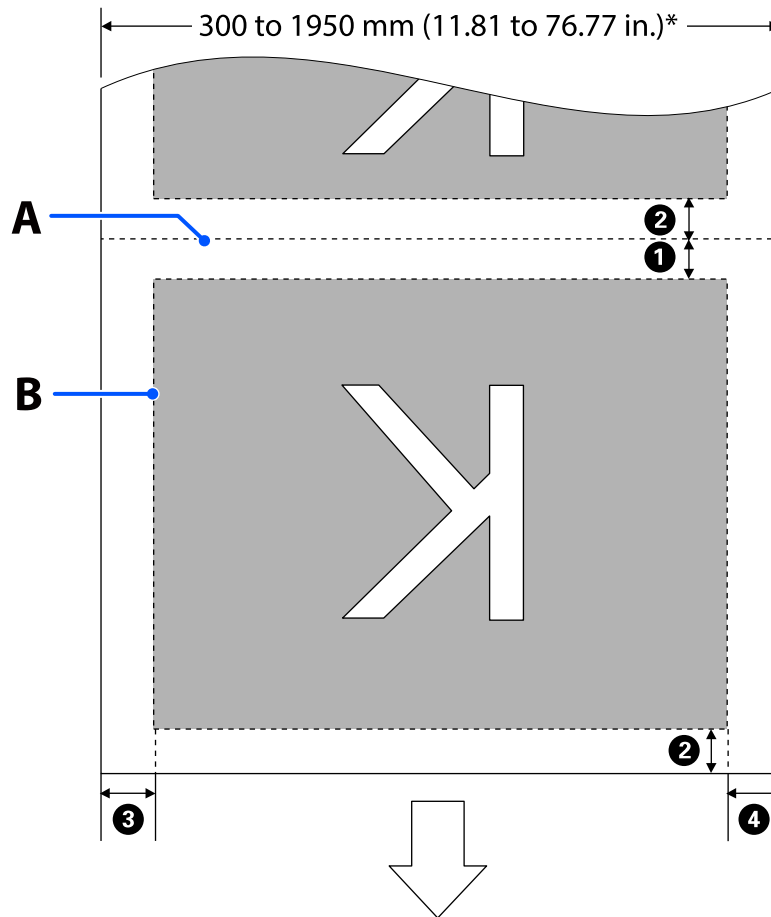
Width Detection Off : The center of the black rectangle label in front of the platen (shown in the illustration below) is recognized as the standard position for the right edge of the media. From the standard position for the right edge of the media, a position set by a value (300 to 1950) with Width Detection being set to **Off** is recognized as the left edge of the media.



Basic Operations

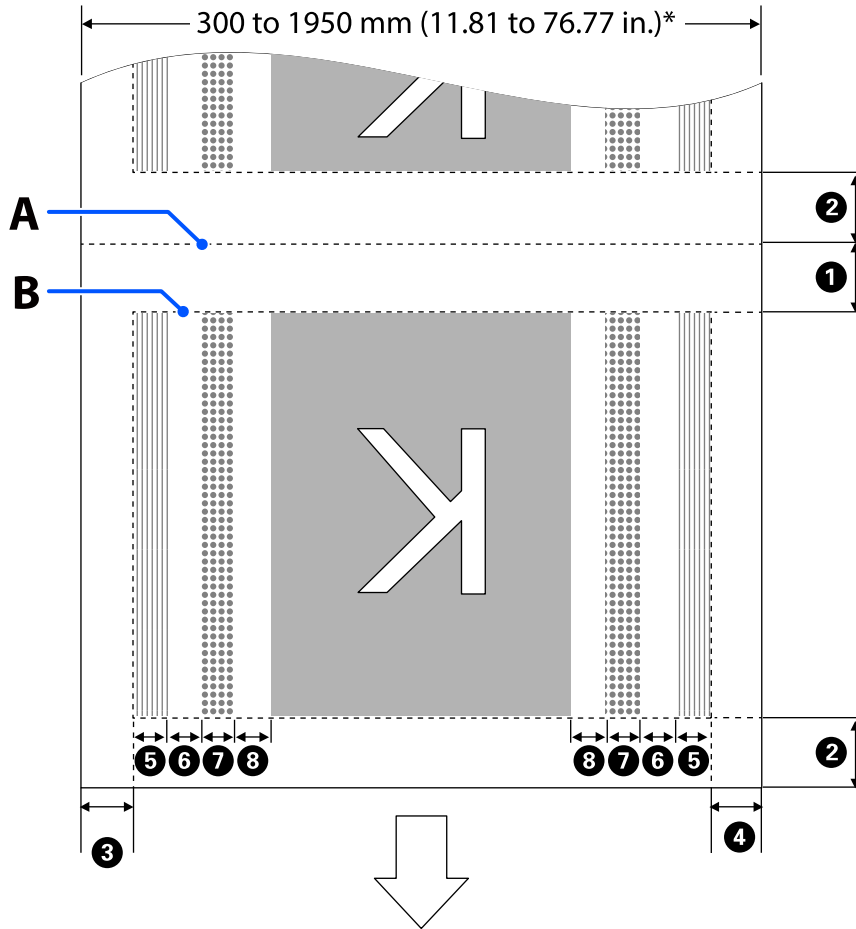
Printable Area and Image Print Area

- When not using the Information Printing function
As shown in the illustration, the printable area can be used as an image print area for all jobs.



Basic Operations

- ❑ When using the Information Printing function
 As shown in the illustration, the size of the left and right sides of the image print area is reduced by the amount of information to print.
 Areas to be used to print information vary according to the settings. Here, an example of the smallest image print area for the following settings is shown.
 - ❑ Print position for the Event Marking of the Information Printing function: Left and right
 - ❑ Print position for the nozzle check patterns of the Information Printing function: Left and right



A Media cut position

B Printable area

■ Image print area

||||| Print area of nozzle check patterns

⋯⋯⋯ Event Marking area

* When **Width Detection** is set to **Off**, the set value (300 to 1950 mm [11.81 to 76.77 in.]) is applied.

The arrow indicates the feed direction.

Basic Operations

The details of ❶ to ❸ are shown below.

Position	Explanation	Available Setting Range
❶ Trailing edge *1, *3	Half the value selected for Margin Between Pages in the printer's setup menu. To maintain media feeding accuracy, if the settings are less than 10 mm (0.39 in.), the settings are switched to 5 mm (0.19 in.).	5 to 499.5 mm (0.19 to 19.66 in.)
❷ Leading edge *1, *2, *3	Half the value selected for Margin Between Pages . If the settings are less than 10 mm (0.39 in.), the settings are switched to "the setting -5". When Skip Wrinkled Media is set to On, the settings are switched to 300 mm (11.81 in.) if the settings are less than 600 mm (23.62 in.).	5 mm (0.19 in.) or more
❸ Right edge *3, *4	The total of the values selected for Print Start Position and Side(Right) . The default setting for Print Start Position is 0 mm and Side(Right) is 7 mm (0.27 in.). When media edge plates are used, a value to which 7 mm (0.27 in.) is added is applied as the actual margin since within 7 mm (0.27 in.) of the edge is recognized as the media edge.	3 to 1025 mm (0.11 to 40.35 in.)
❹ Left edge *3, *4	The value selected for Side(Left) . The default setting is 7 mm (0.27 in.). When media edge plates are used, a value to which 7 mm (0.27 in.) is added is applied as the actual margin since within 7 mm (0.27 in.) of the edge is recognized as the media edge.	3 to 25 mm (0.11 to 0.98 in.)
❺ Nozzle check pattern printing width	16 mm (0.62 in.) when Normal is selected in Pattern Selection . 4 mm (0.15 in.) when Paper Width Saving is selected.	-
❻ Space between nozzle check patterns and Event Marking	Fixed to 3 mm (0.11 in.).	-
❼ Event Marking width	Fixed to 20 mm (0.78 in.).	-
❽ Space between nozzle check patterns / Event Marking and image	When Print Position is set to Next to the Image , the margin on the right side of the image represents the value selected for Margin Between Images . When it is set to Media End , the value varies according to images and other settings.	0 to 999 mm (0 to 39.33 in.)

*1 The set margin and the actual print results may differ depending on the RIP being used. Contact the RIP manufacturer for more information.

*2 With **Width Adjustment** in the settings menu for the printer, you can adjust the margins in a range between -10 mm and +10 mm (-0.39 in. and 0.39 in.).

*3 This may be available in the RIP depending on the RIP software being used. Contact the RIP manufacturer for more information.


Basic Operations

*4 Note the following points when setting margins.

- Leave margins of 10 mm (0.39 in.) or more when using media edge plates. Narrower margins could result in printer printing over the plates.
- If the total of the print data width and set left and right margins exceeds the printable area, a portion of the data will not be printed.

Note:

*If the following points are not observed when Width Detection is **Off**, printing may occur outside the left and right edges of the media. Ink used outside the edges of the media will stain the inside of the printer.*

- Ensure that the print data width does not exceed the loaded media width.*
- When media is loaded to the left of the right side reference position, align the **Print Start Position** setting with the position where the media set.*
 [“General Settings menu” on page 152](#)

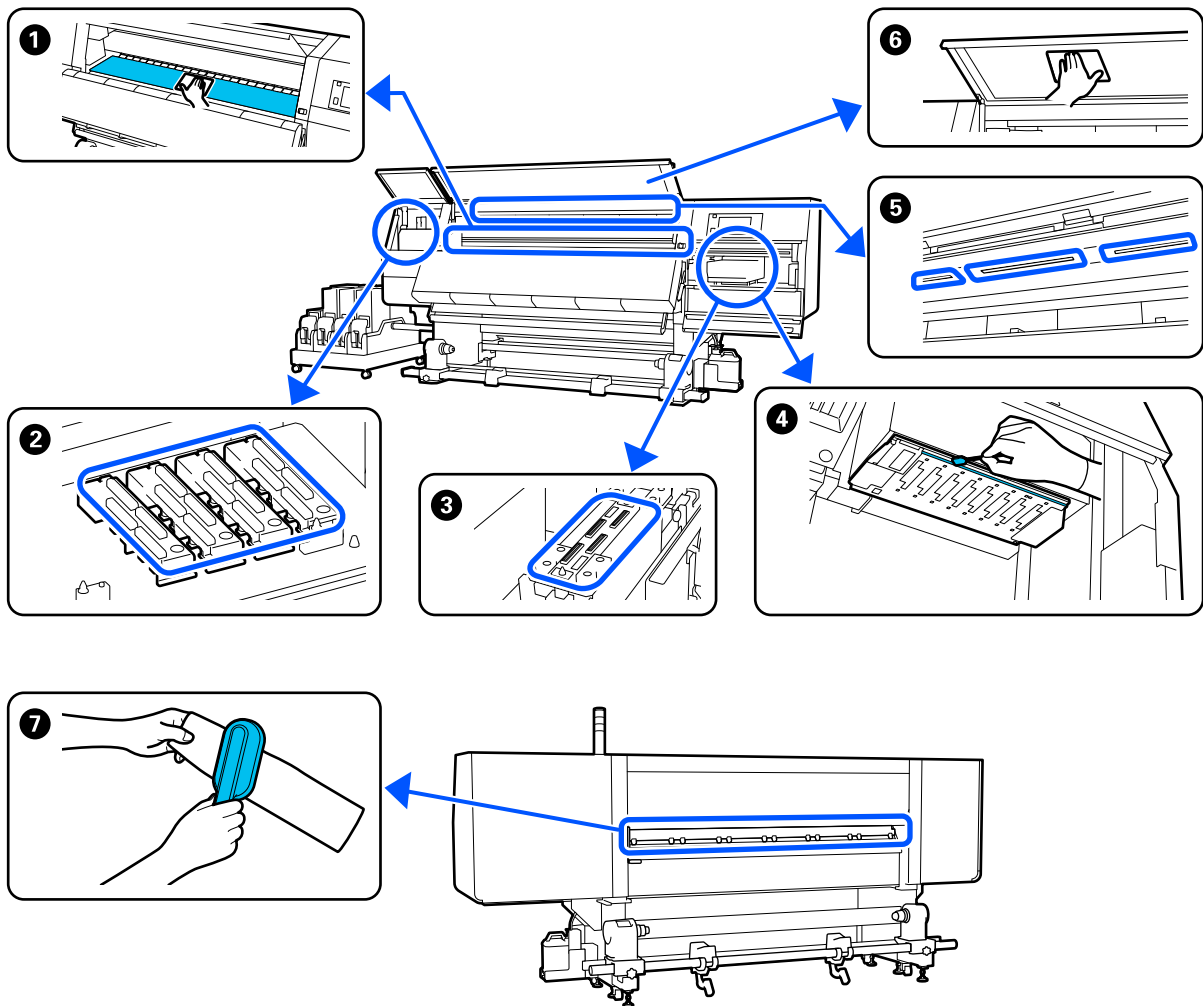
Maintenance

When to Perform Various Maintenance Operations

Cleaning and replacement of consumables must be performed to ensure the print quality of the printer.


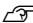

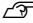
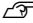

Failure to perform appropriate maintenance could result in reduced print quality. Read the following to perform appropriate maintenance.

Cleaning



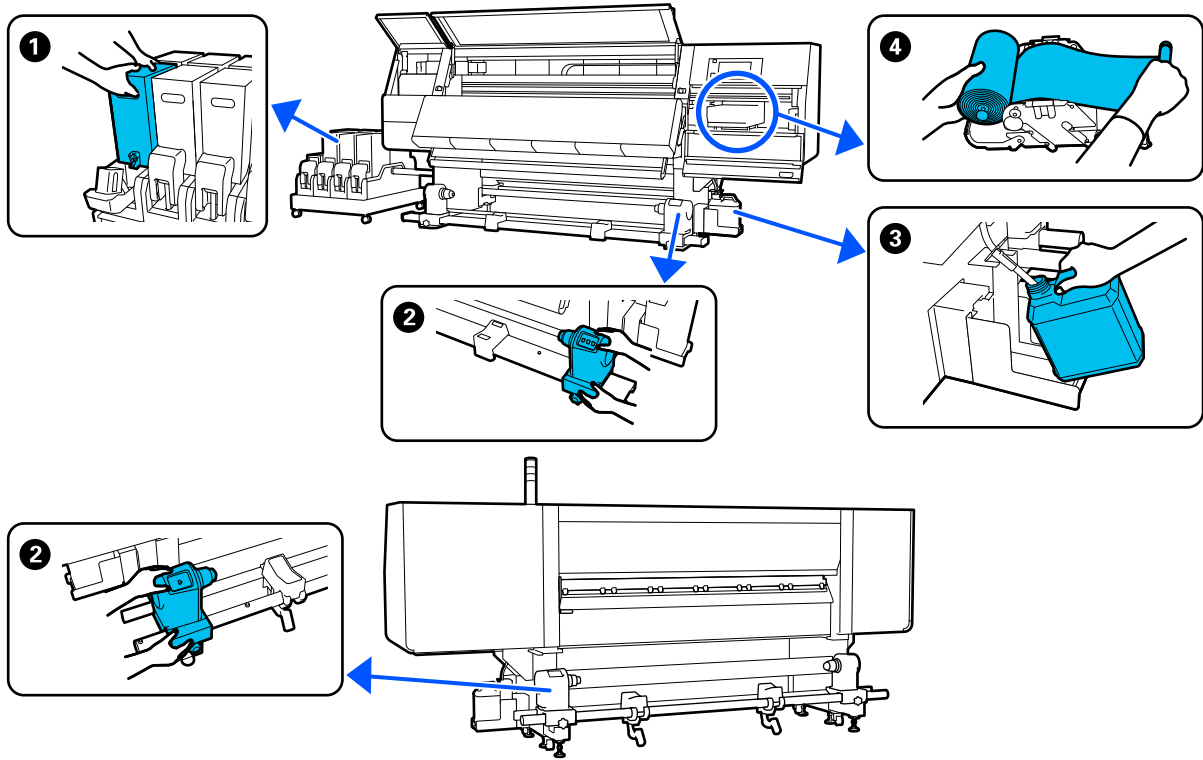
When to perform	Component to be cleaned
When starting work every day	1 Platen, media edge plates, around dryer 📖 "Daily Cleaning" on page 107

Maintenance

When to perform	Component to be cleaned
<p>When a cleaning message is displayed on the control panel</p>	<p>② Anti-drying caps  "Cleaning anti-drying caps" on page 112</p> <p>You can check the procedure in a video on YouTube. Video Manual</p> <p>⑦ Media cleaner  "Cleaning the media cleaners" on page 111</p>
<p>When dirt is found on the print head in the following cases</p> <ul style="list-style-type: none"> <input type="checkbox"/> Media jams <input type="checkbox"/> Print head striking occurs <input type="checkbox"/> Print results are dirty 	<p>④ Around the Print Head  "Cleaning Around the Print Head" on page 116</p> <p>You can check the procedure in a video on YouTube. Video Manual</p>
<p>When it is hard to see inside the printer</p>	<p>⑥ Front cover  "Cleaning the front cover" on page 118</p>
<p>When internal lamp seems to be dark</p>	<p>⑤ Internal lamp  "Cleaning the inside light" on page 117</p>
<p>When executing Print Head Refresh</p>	<p>③ Suction cap  "Cleaning suction caps" on page 115</p> <p>You can check the procedure in a video on YouTube. Video Manual</p>

Maintenance

Replacing Consumables



When to perform	Component to be replaced
When ink low warning is displayed on the control panel display	<p>① Ink cartridge</p> <p>☞ "Replacement procedure" on page 119</p>
When a prepare and replacement message is displayed on the control panel screen	<p>③ Waste Ink Bottle</p> <p>☞ "Disposing of Waste Ink" on page 127</p> <p>④ Wiper Roll</p> <p>☞ "Replace the wiper roll" on page 125</p>
When a replacement message is displayed on the control panel screen	<p>② Media holder</p> <p>☞ "Replacing the media holder" on page 128</p>

Other maintenance

When to perform	Operation
When a shake message is displayed on the control panel screen	<p>Shaking ink cartridges</p> <p>☞ "Periodic shaking of ink cartridges" on page 133</p>
<p><input type="checkbox"/> When checking if nozzles are clogged</p> <p><input type="checkbox"/> When checking which colors are clogged</p> <p><input type="checkbox"/> Horizontal stripes or tint unevenness (banding) have appeared</p>	<p>Checking for clogged nozzles</p> <p>☞ "Checking for clogged nozzles" on page 137</p>

Maintenance

When to perform	Operation
When a clog is found after checking for clogged nozzles	Cleaning the print head 🔗 "Print Head Cleaning" on page 138
Once a month	Checking the circuit breaker's performance 🔗 "Checking the circuit breaker's performance" on page 139

Maintenance

What You'll Need

Ready the following items before beginning cleaning and replacement.

When the supplied parts have been completely used, purchase new consumables.

Prepare genuine parts when replacing ink cartridges or performing maintenance.

 [“Options and Consumable Products” on page 179](#)

If your gloves have worn out, prepare commercially available nitrile gloves.

Protective eyeglasses (available in the market)

Protects your eyes from ink and cleaning fluid.

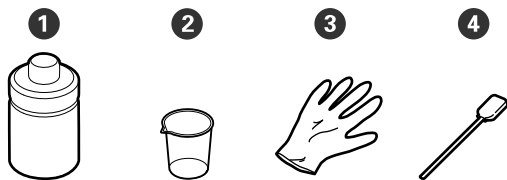
Mask (available in the market)

Protects your nose and mouth from ink and cleaning fluid.

Cleaning kit (supplied with the printer)

Use these when wiping up ink stains.

The following accessories are in the kit.



① Cleaning fluid (x1)

② Cup (x1)

③ Gloves (x16)

④ Cleaning stick (x50)

How to use  [“Using Cleaning liquid” on page 110](#)

Metal or plastic (PP or PE) tray (available in the market)

Use when putting cleaning utensils, removed consumables, or cleaning fluid moved to the container supplied with the printer.

Media Cleaner Brush (supplied with the printer)

Use when cleaning with media cleaner.



Soft cloth (available in the market)

Use when cleaning inside the front cover and the bottom of the dryer. Use material that is not likely to generate lint or static electricity.

Precautions regarding maintenance

Note the following points when cleaning and replacing parts.

Maintenance

Caution:

- ❑ Store ink cartridge, cleaning fluid, and waste ink in a location out of the reach of children.
- ❑ During maintenance, wear protective clothing, including protective eyewear, gloves, and a mask.
If ink, waste ink, cleaning fluid, or grease contacts your skin or enters your eyes or mouth, take the following actions:
 - ❑ If fluid adheres to your skin, immediately wash it off using large volumes of soapy water. Consult a physician if the skin appears irritated or is discolored.
 - ❑ If fluid enters your eyes, rinse immediately with water. Failure to observe this precaution could result in bloodshot eyes or mild inflammation. If problems persist, consult with a physician.
 - ❑ If fluid enters your mouth, consult a physician immediately.
 - ❑ If fluid is swallowed, do not force the person to vomit, and consult with a physician immediately. If the person is forced to vomit, fluid may get caught in the trachea which can be dangerous.
 - ❑ Do not drink the ink.

- ❑ Remove the media from the printer before proceeding with cleaning or replacing the media holder.
- ❑ Never touch the belts, circuit boards, or any parts that do not require cleaning. Failure to observe this precaution could result in malfunction or reduced print quality.
- ❑ Use only the supplied cleaning sticks or sticks contained in a maintenance kit. Other types of sticks that produce lint will damage the print head.
- ❑ Always use fresh cleaning sticks. Re-using sticks can make stains even harder to remove.
- ❑ Do not touch the tips of the cleaning sticks. Oil from your hands could damage the print head.
- ❑ Do not use anything other than the specified cleaning fluid when cleaning around the print head, caps, etc. Using anything else could result in malfunction or reduced print quality.

- ❑ Touch a metallic object before starting work to discharge any static electricity.

Cleaning

Daily Cleaning

When lint, dust, or ink adheres to the platen or the media edge plates, it could cause clogged nozzles or ink drops to occur.

Dirt on the media path around the dryer could make the printouts dirty.

To maintain optimum printing quality, we recommend cleaning before starting work every day.

Caution:

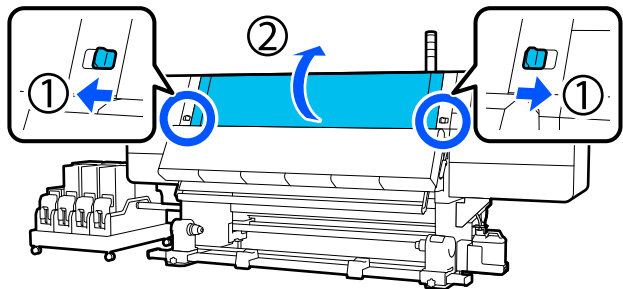
- ❑ The dryer may be hot; observe all necessary precautions. Failure to observe the necessary precautions could result in burns.
- ❑ Do not put your hand inside the dryer. Failure to observe the necessary precautions could result in burns.
- ❑ Be careful not to trap your hands or fingers when opening or closing the front cover or the maintenance cover. Failure to observe these precautions could result in injury.

- 1** Make sure the printer is turned off and the screen has turned off, and then unplug the power cable from the outlet.

Disconnect both of the power cables.

- 2** Wait for one minute after unplugging the power plug.

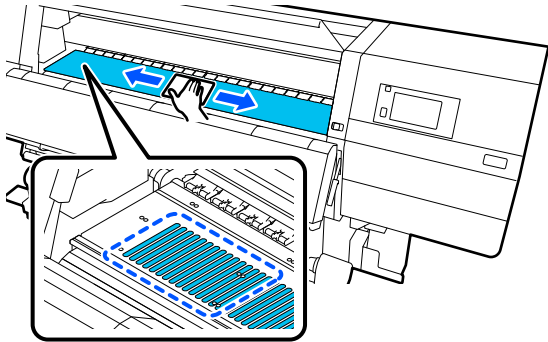
- 3** Move the lock lever on the left and right side outwards to open the front cover.



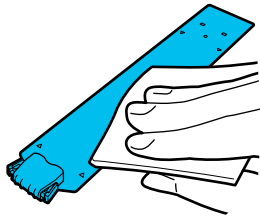
Maintenance

- 4** Soak a soft cloth in water, wring it out thoroughly, and then wipe off any ink, lint, or dust that has adhered to the platen.

Carefully remove lint and dust stuck in the groove of the platen.



- 5** Soak a soft cloth in water, wring it out thoroughly, and then wipe off any lint, or dust that has adhered to the media edge plates.

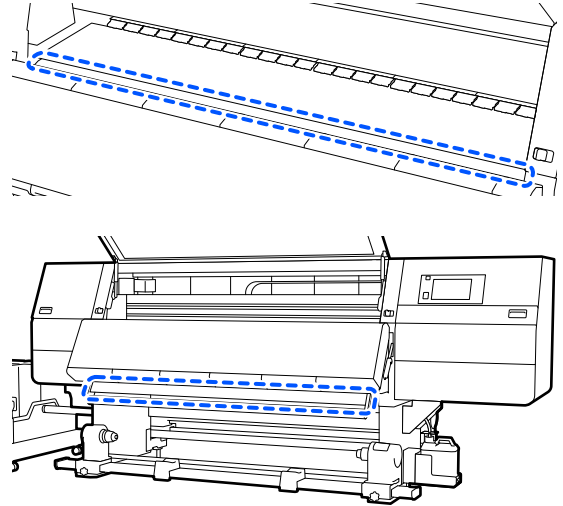


! Important:

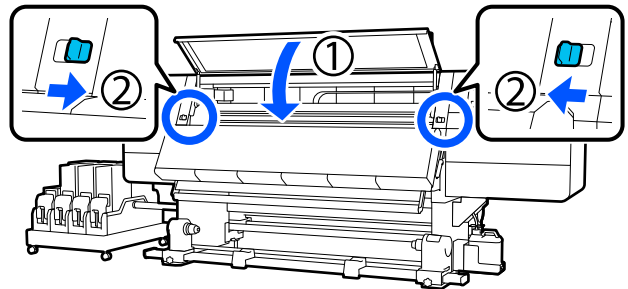
When media with glue has been used or when ink has adhered to the media edge plates, follow the procedure in the “Cleaning the media edge plates when media with glue has been used or when ink has adhered” in the next section to clean the front and back of the plates. If you continue printing while glue is stuck to the rear, it may rub against the print head.

- 6** Soak a soft cloth in water, wring it out thoroughly, and then wipe off any ink, lint, or dust that has adhered to the upper and lower parts of the dryer.

Wipe the area shown in the illustration below.



- 7** After wiping off stains, close the front cover and move the left and right lock levers inwards.



- 8** Plug in both of the two power cables and turn the printer on.

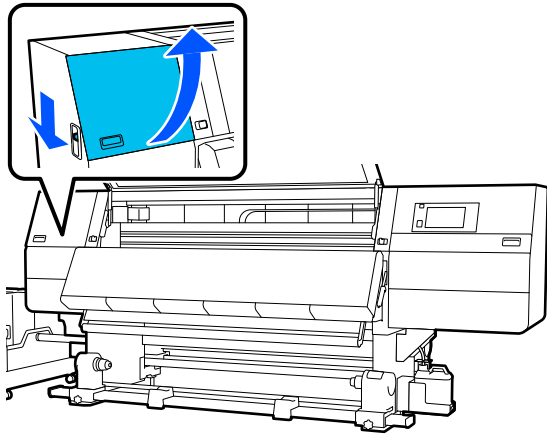
Cleaning the media edge plates when media with glue has been used or when ink has adhered

Remove the media edge plates from the printer, and clean the front and back of the plates using a diluted neutral detergent.

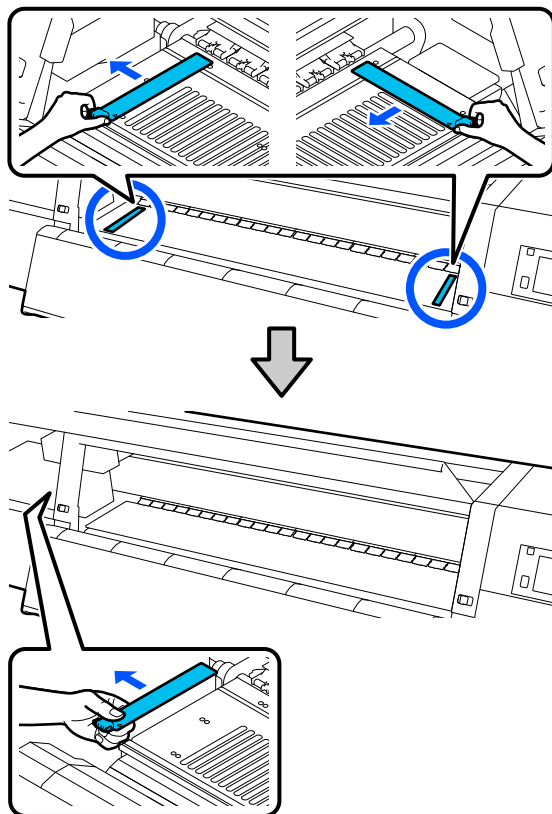
When stains are removed, attach the plates to their original positions.

Maintenance

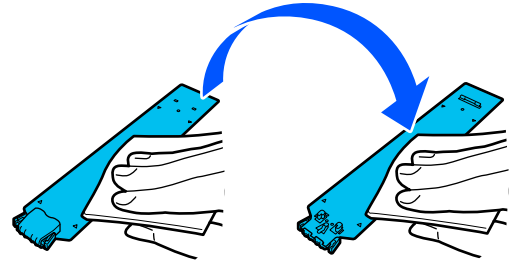
- 1 Open the left-side maintenance cover while lowering the lock release levers.



- 2 While holding the tabs of the media edge plate on both sides, move the plate to the left edge of the platen to remove it.
Remove the right media edge plate also from the left side.

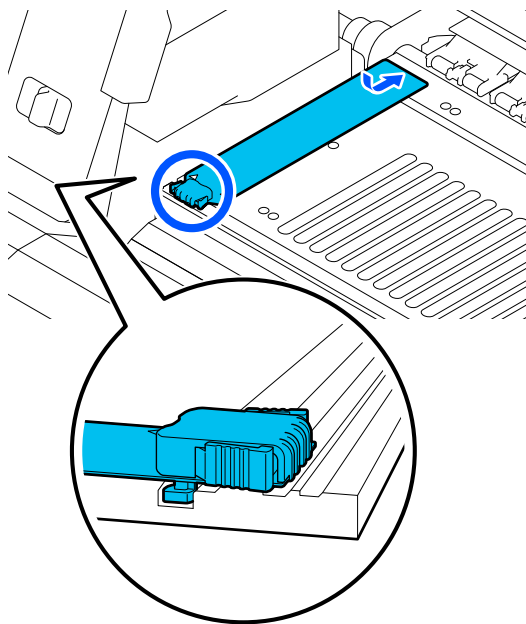
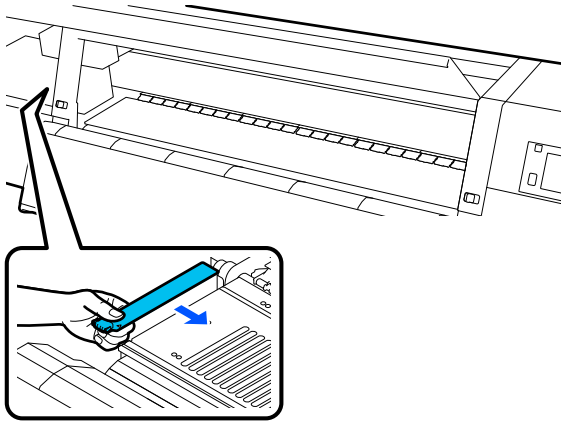


- 3 Soak a soft cloth in diluted neutral detergent, wring it out thoroughly, and then wipe off any glue or ink that has adhered to the front and back of the media edge plates.



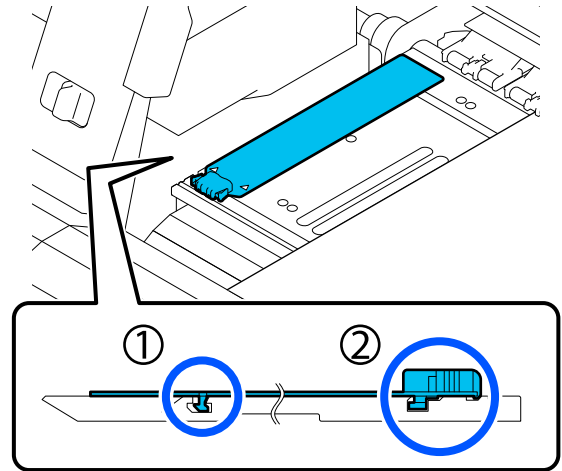
Maintenance

- 4** After wiping off stains, insert the media edge plate from the left side of the platen.
- Insert the right media edge plate also from the left side.
- When inserting the plate, attach the hooked sections to the front corner of the platen while pressing the tip of the metallic plate against the platen.



- 5** Check that two hooked sections at the rear of the media edge plate are securely applied as shown below and that they are attached with no gap between the platen and media edge plate.
- (1) Hook into the tip: Corners of the platen

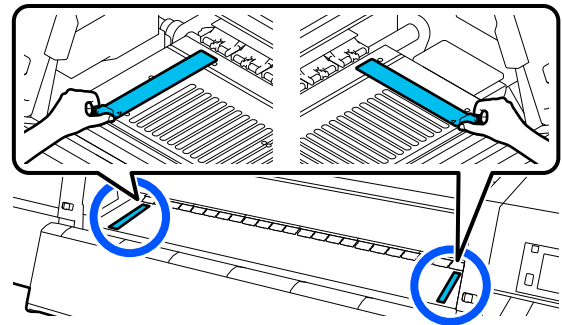
- (2) Hook into the rear of tab: Front corner of the platen



! Important:

If hooked sections are not positioned correctly, return to Step 4 to attach them again. Otherwise, the head may be damaged.

- 6** While holding the tabs of each media edge plate on both sides, move both the plates to the left and right edges of the platen respectively.
- Releasing the tab fixes the media edge plate.



- 7** Close the left-side maintenance cover.

Using Cleaning liquid

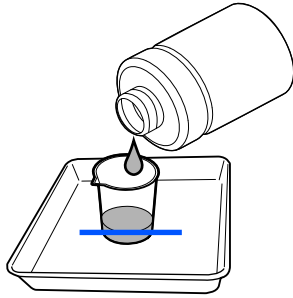
Only use Cleaning liquid to clean the parts indicated in the manual.

Before starting this procedure, be sure to read the following:

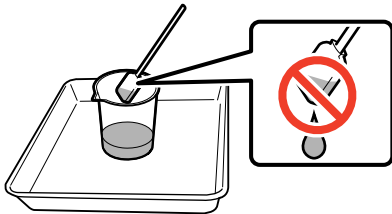
[“Precautions regarding maintenance” on page 106](#)

Maintenance

- 1 Put the cup supplied with the Cleaning Kit on the tray, and pour approximately 10 ml of Cleaning liquid into the cup.



- 2 Dampen the cleaning stick with Cleaning liquid. When doing this, do not allow Cleaning liquid to drip from the cleaning stick.



! Important:

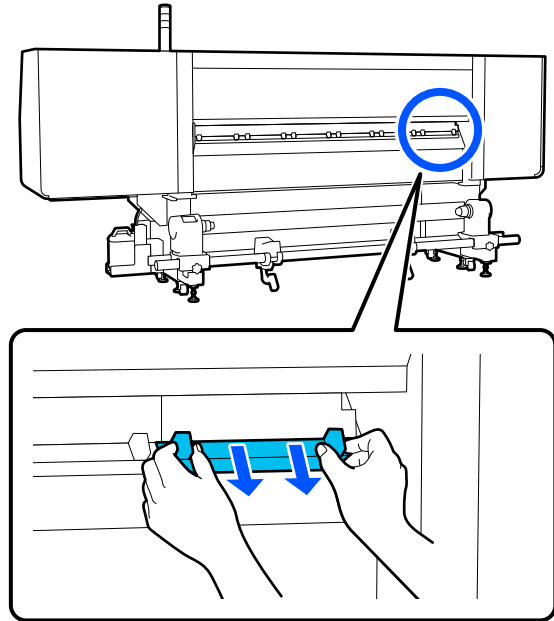
- ❑ Do not use Cleaning liquid that you have used for cleaning to clean the next time. Using dirty Cleaning liquid will make staining worse.
- ❑ Tightly close the lid of the Cleaning liquid and store it at room temperature out of direct sunlight and away from high temperatures or humidity.
- ❑ Used Cleaning liquid and cleaning sticks are industrial waste. Dispose of them in the same way as for waste inks.
[☞ “Disposal of used consumables” on page 141](#)

Cleaning the media cleaners

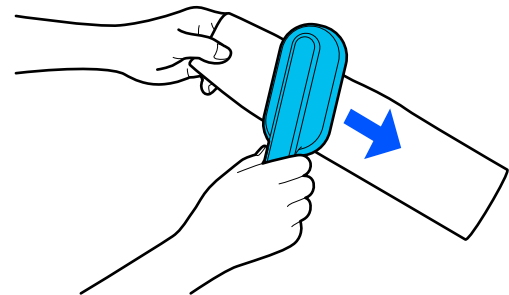
If the media cleaners are dirty, they cannot sufficiently wipe dirt and dust off the surface of the media, so there is a risk that problems may occur, such as clogged nozzles.

If the **Clean the media cleaner. After cleaning is complete, press [OK].** message appears on the control panel's screen, use the supplied media cleaner brush to clean them.

- 1 Check the on-screen message, and then move to the back side and remove the media cleaners. While pressing the tabs on both sides, pull it off.



- 2 Use the supplied brush to wipe dirt and dust from the surface. Since the brush's surface has a direction in which to wipe, move it in the direction that wipes off the dirt and dust.

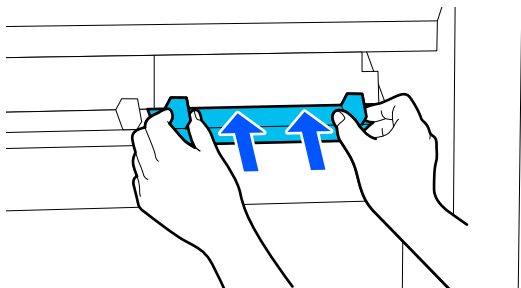


Note:
 You can switch the direction in which to wipe.

Maintenance

- 3 When you finish cleaning a media cleaner, install it to the printer.

Hold the tabs as you insert the media cleaner until you hear a click.



- 4 Repeat Steps 2 and 3 to clean all of the media cleaners.

- 5 On the screen, press **Done**.

Cleaning anti-drying caps

When an anti-drying cap needs to be cleaned, the **Cleaning the Anti-Drying Caps.** message appears on the screen, and the cap that needs to be cleaned is indicated.

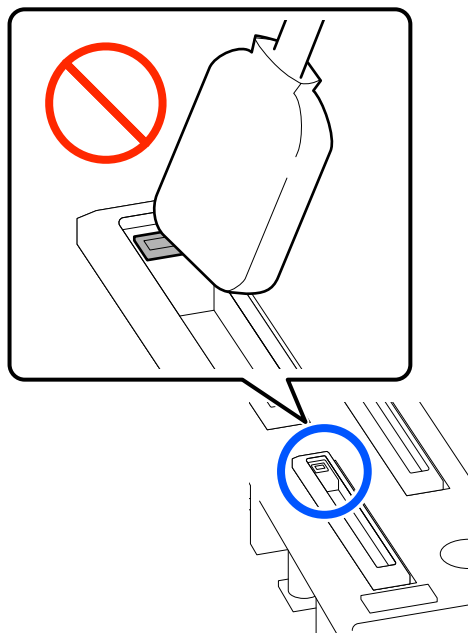
When this message appears, follow the steps below to clean only the indicated cap.

Before starting this procedure, be sure to read the following.

 [“Precautions regarding maintenance” on page 106](#)

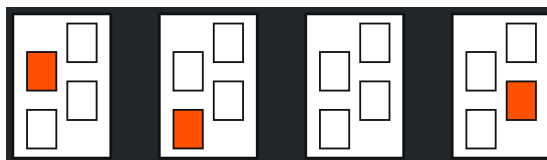
Important:

When using a cleaning stick to wipe off a cap, do not wipe off the area around the hole inside the cap. The cleaning fluid may get into the hole, causing the cap to not function correctly.



- 1 If **Cleaning the Anti-Drying Caps.** appears on screen, confirm which cap to clean.

The cap that needs to be cleaned is highlighted, as shown in the illustration.

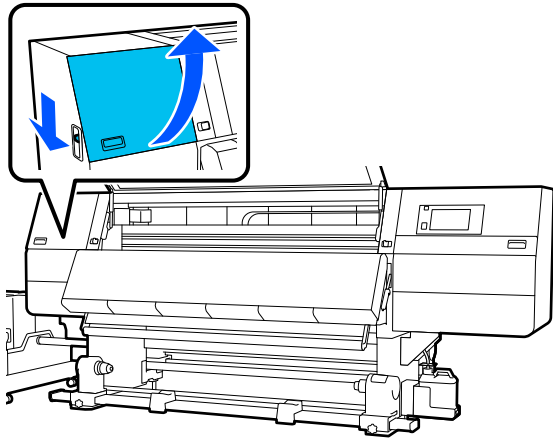


- 2 Press **Start**.

The print head moves to the right side.

Maintenance

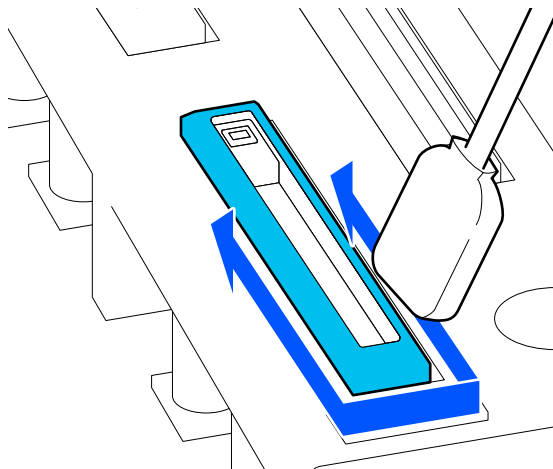
- 3** Lower the lock release lever to open the left-side maintenance cover.



- 4** Dampen the cleaning stick with cleaning fluid.
 ☞ "Using Cleaning liquid" on page 110

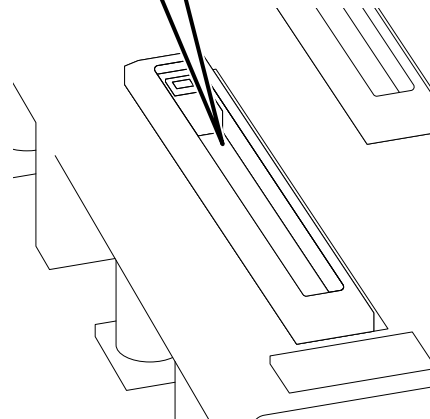
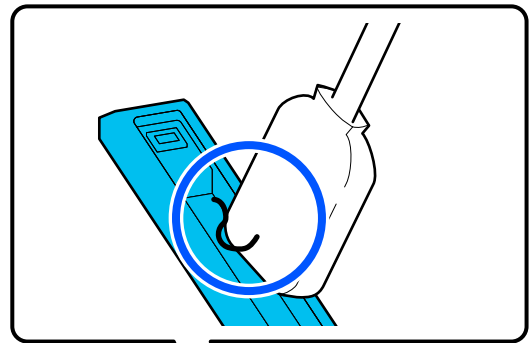
- 5** Hold the cleaning stick in a perpendicular orientation, and wipe the outer area of the cap that needs to be cleaned.

While wiping, avoid the area around the hole inside the cap.



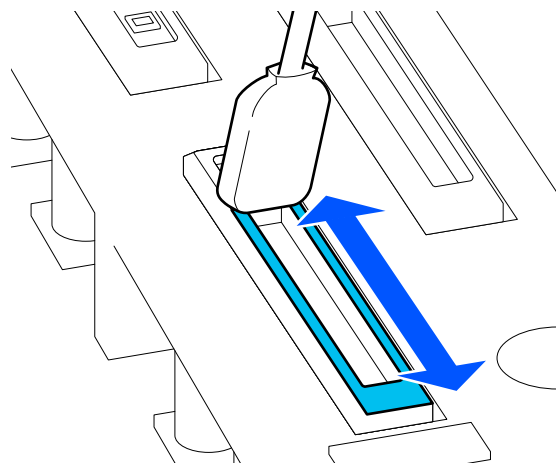
When there is lint or dust on the cap

Remove it by using the tip of the cleaning stick.



- 6** Hold the cleaning stick flat and wipe the edges of the cap.

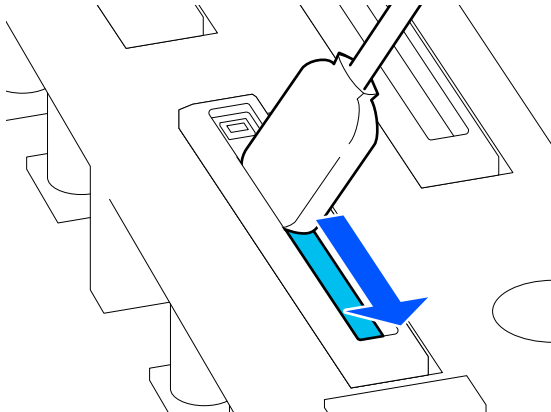
While wiping, avoid the area around the hole inside the cap.



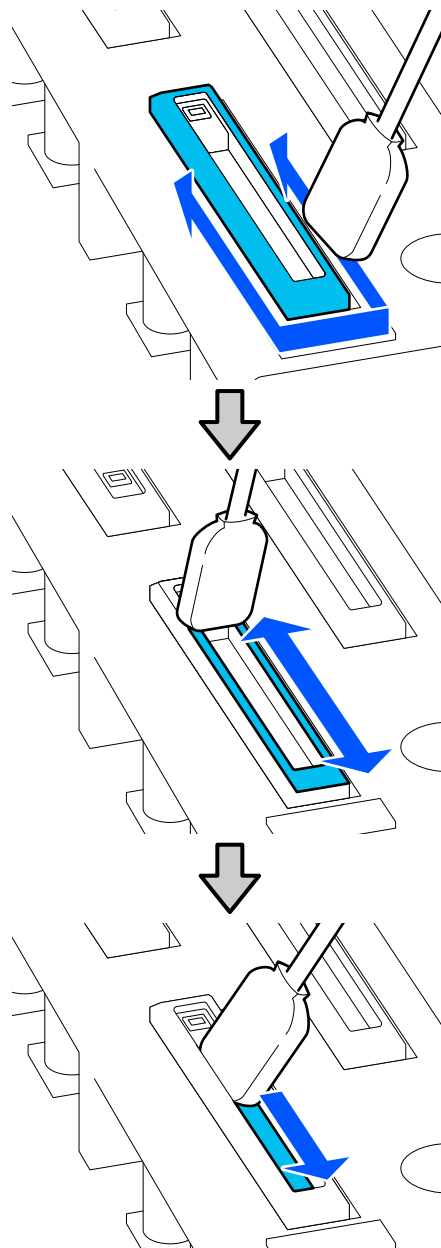
Maintenance

- 7** Hold the cleaning stick in a perpendicular orientation, and wipe the inside of the cap.

While wiping, avoid the area around the hole inside the cap and move the cleaning stick only in the direction away from the hole.



- 8** Use a new dry cleaning stick to wipe up all the ink and cleaning fluid on the inside, edges, and area around the cap.



Maintenance

Wipe up all the ink and cleaning fluid, leaving no residue, as shown in the illustration below. If any ink or cleaning fluid is left over, it could clog the nozzles.



- 9** Close the maintenance cover, and then press **Done**.
The print head returns to its normal position.

When the print head returns to its normal position, the screen for checking if the print head is dirty appears.

If necessary, clean the print head.

[“Cleaning Around the Print Head” on page 116](#)

Disposing of used ink cleaner and cleaning sticks

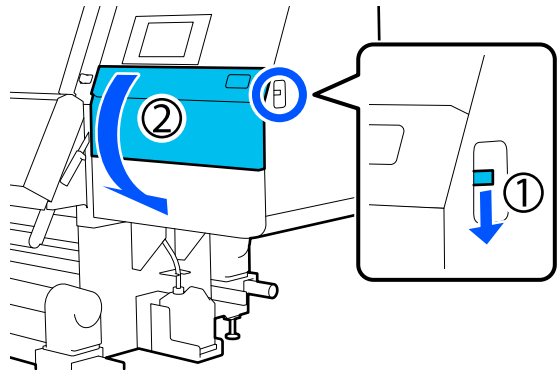
[“Disposal of used consumables” on page 141](#)

Cleaning suction caps

Clean the suction caps before doing Print Head Refresh. If you do not clean the suction caps, doing Print Head Refresh is not fully effective. Before doing Print Head Refresh, use the following procedure to clean the suction caps.

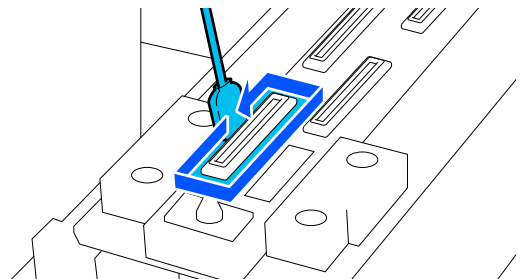
- 1** On the Home screen, press , and then press in the order of **Cleaning the Maintenance Parts - Suction Cap**.
- 2** Check the on-screen message, and then press **Start**.

- 3** Lower the lock release lever to open the right-side maintenance cover.

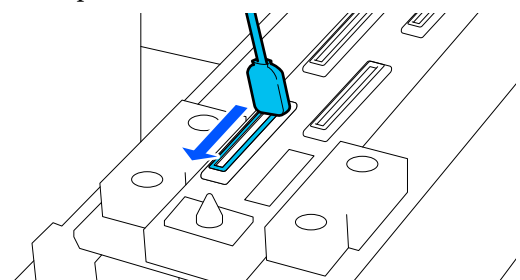


- 4** Dampen the cleaning stick with cleaning fluid. Use new cleaning sticks and cleaning fluid.
 [“Using Cleaning liquid” on page 110](#)

- 5** Hold the cleaning stick in a perpendicular orientation, and wipe the outer areas of all the caps.



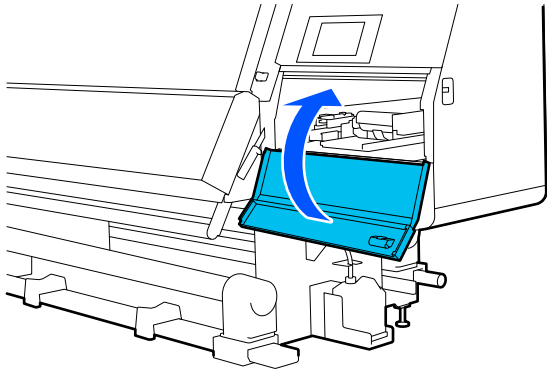
- 6** Hold the cleaning stick flat and wipe the edges of all the caps.



- 7** Check that there are no ink stains, lint, or dust attached to the edges or outer area of the cap.
If they are not dirty, cleaning is complete.
If any dirt remains, repeat Steps 5 and 6 to wipe off any dirt.

Maintenance

8 Close the maintenance cover.



9 On the control panel screen, press **Done**.

Cleaning Around the Print Head

If any of the following problems occur, check the print head and clean it if there are any ink clots, lint, or dust.

- Media jams
- Print head striking
- Print results are dirty

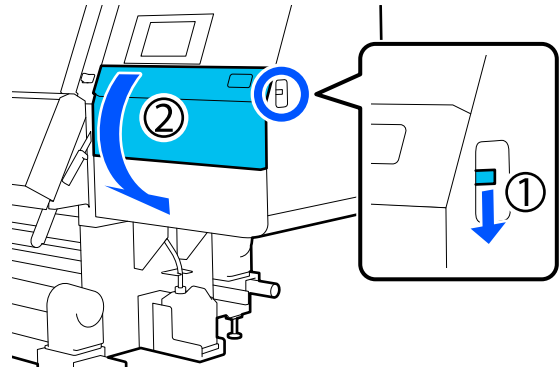
Before starting this procedure, be sure to read the following.

[“Precautions regarding maintenance” on page 106](#)

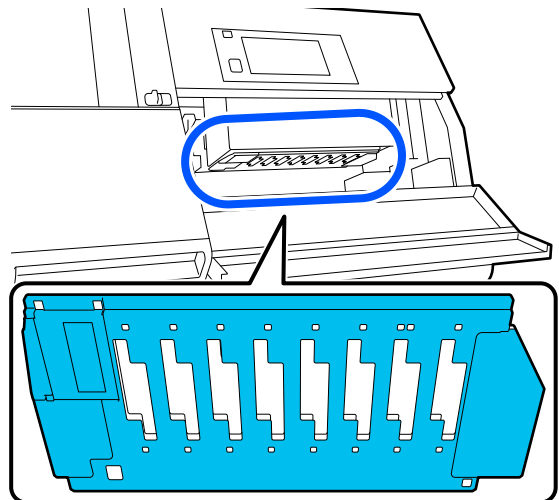
1 Move the print head to the cleaning position.
 If the media has jammed, remove the jammed media, and when **Open the Maintenance Cover and clean around the print heads if they are dirty.** appears, press **Confirmation**.
 For problems other than jammed media, press on the Home screen, and then press in the order of **Cleaning the Maintenance Parts - Around the Head**.

2 Check the on-screen message, and then press **Start**.

3 Confirm that the print head has moved to the right side, and then press the lock release lever to open the right-side maintenance cover.




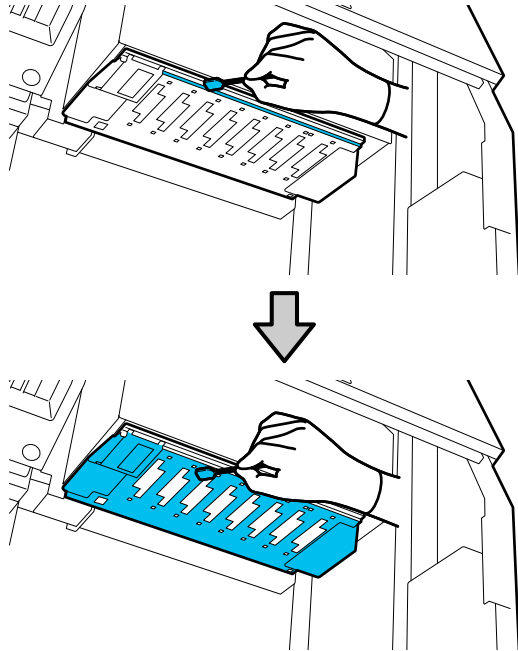
4 Check for dirt on the print head.
 Check that there is no ink, lint, or dust stuck to the area shown in the illustration.
 If it is dirty, then move on to the next procedure.
 If it is not dirty, then move on to Step 7.



5 Dampen the cleaning stick with cleaning fluid.
 Use new cleaning sticks and cleaning fluid.
[“Using Cleaning liquid” on page 110](#)

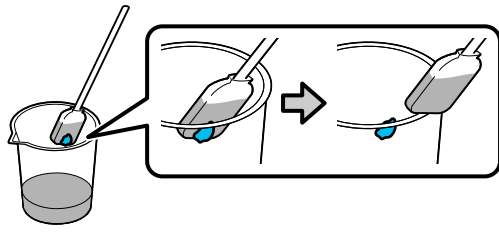
Maintenance

- 6** Wipe off any ink, lint, or dust that is stuck to the  area shown in the illustration.

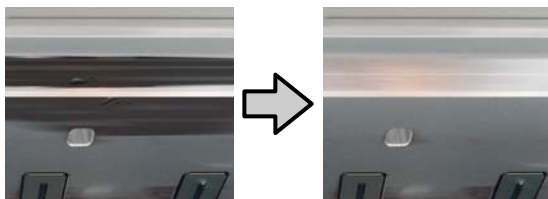


! **Important:**

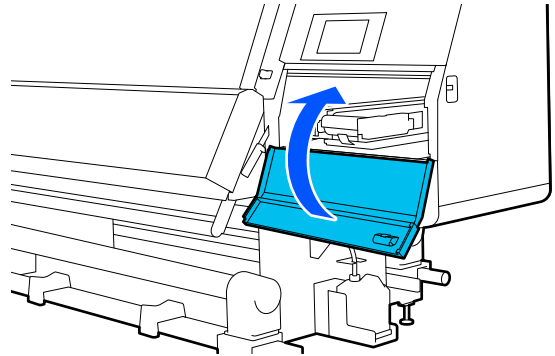
- If the cleaning stick becomes dirty, rinse it with cleaning fluid as you wipe.
- After removing a clot of ink with a cleaning stick, wipe the cleaning stick against the edge of the cup to remove the clot.



Wipe off the ink stains until you can see the metal surface of the print head, as shown in the illustration.



- 7** Close the maintenance cover.



- 8** On the control panel screen, press **Done**.

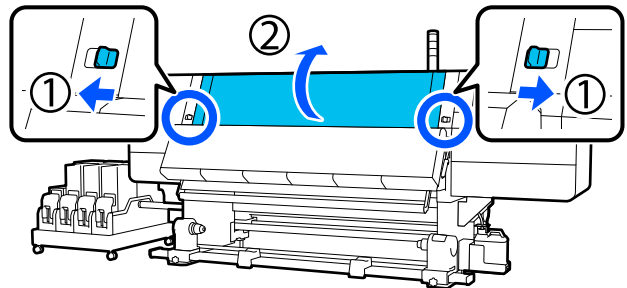
Cleaning the inside light

The printer has an inside light inside the front cover and maintenance covers to make it easy to check print results and areas for maintenance. If ink mist makes the surface of the inside light dirty, it becomes dim so checking becomes difficult. If it seems dim, follow the steps below to clean it.

! **Caution:**

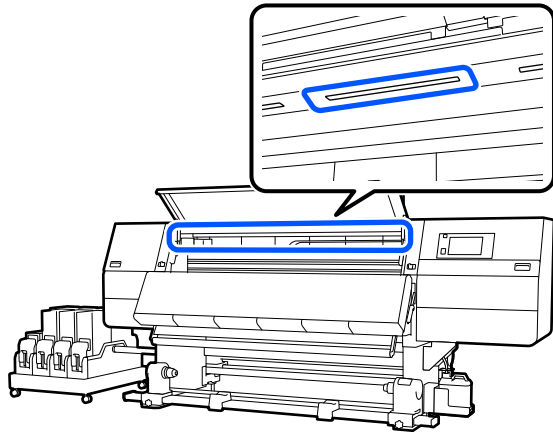
Be careful not to trap your hands or fingers when opening or closing the front cover or the maintenance covers. Failure to observe these precautions could result in injury.

- 1** Move the lock levers on the left and right sides outwards to open the front cover.



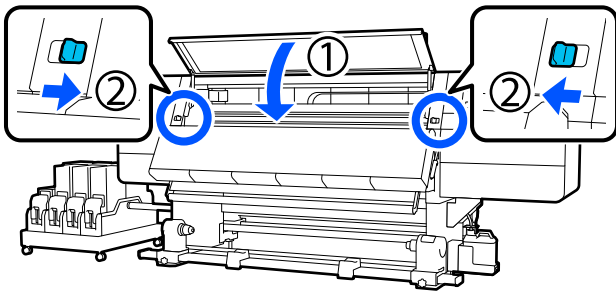
Maintenance

- 2** Soak a soft cloth in water, wring it out thoroughly, and then wipe any dirt off of the inside light surfaces shown in the illustration.
- There are a total of 4 inside lights inside the front cover. Wipe the dirt from all these surfaces.

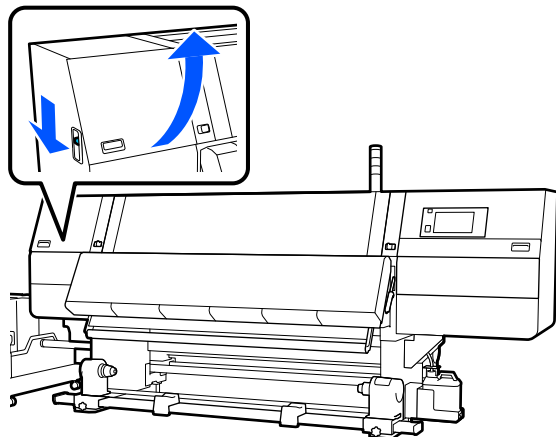


For anything that cannot be removed with a damp cloth, dip a cloth in neutral detergent, squeeze it out, and then wipe the stubborn stain.

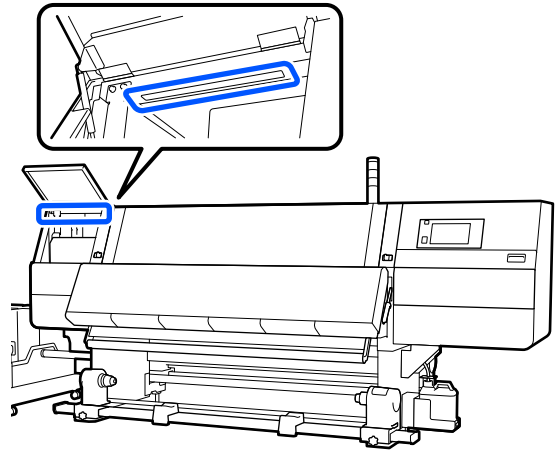
- 3** After wiping off stains, close the front cover and move the left and right lock levers inwards.



- 4** Lower the lock release lever to open the left-side maintenance cover.



- 5** Soak a soft cloth in water, wring it out thoroughly, and then wipe any dirt off of the inside light surfaces shown in the illustration.



For anything that cannot be removed with a damp cloth, dip a cloth in neutral detergent, squeeze it out, and then wipe the stubborn stain.

- 6** After wiping off the dirt, close the maintenance cover.

Cleaning the front cover

The front cover becomes dirty from dust and ink mist, etc., if you continue to use the printer in this condition, the inside of the printer becomes difficult to see. If it is dirty, follow the steps below to clean.

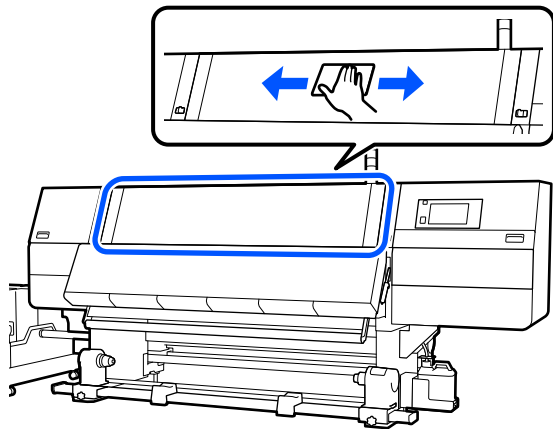
⚠ Caution:

Be careful not to trap your hands or fingers when opening or closing the front cover or the maintenance covers. Failure to observe these precautions could result in injury.

- 1** Make sure the printer is turned off and the screen has turned off, and then unplug the power cable from the outlet.
- Disconnect both of the 2 power cables.

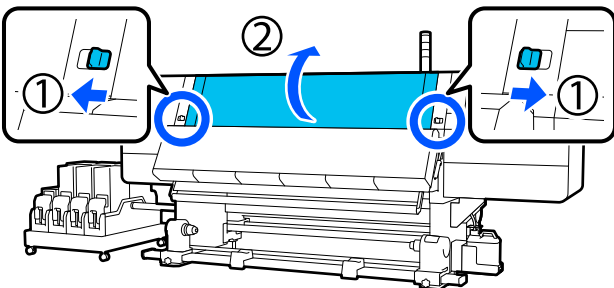
Maintenance

- 2 Soak a soft cloth in water, wring it out thoroughly, and then wipe any dirt off of the window on the front cover.

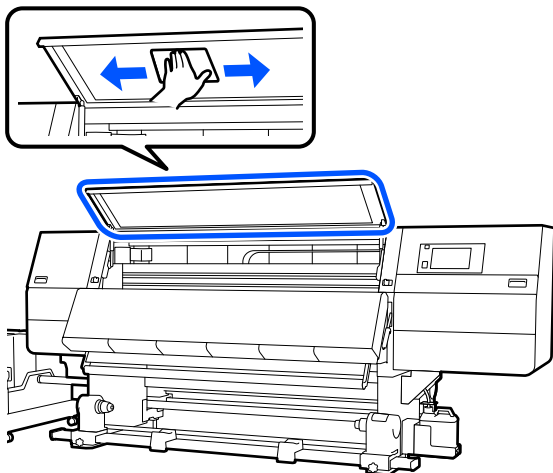


For anything that cannot be removed with a damp cloth, dip a cloth in neutral detergent, squeeze it out, and then wipe the stubborn stain.

- 3 Move the lock levers on the left and right sides outwards to open the front cover.

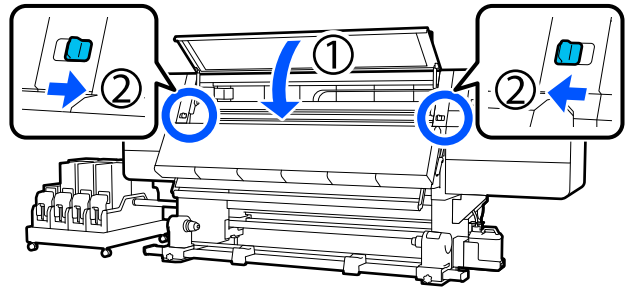


- 4 Wipe the inner side of the window.



For anything that cannot be removed with a damp cloth, dip a cloth in neutral detergent, squeeze it out, and then wipe the stubborn stain.

- 5 After wiping off stains, close the front cover and move the left and right lock levers inwards.



Replacing Consumables

Replacing Ink Cartridges

If ink is expended, replace the ink cartridge immediately with a new one. You can check the ink level on the Home screen.

 [“Home screen” on page 22](#)

Two ink cartridges for each color are loaded into the ink supply unit, so the cartridge not in use can be replaced during printing.

Replacement procedure

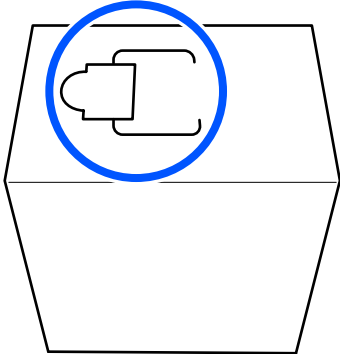
 **Important:**

- ❑ *Epson recommends the use of genuine Epson ink cartridges. Epson cannot guarantee the quality or reliability of non-genuine ink. The use of non-genuine ink may cause damage that is not covered by Epson's warranties, and under certain circumstances, may cause erratic printer behavior. Information about non-genuine ink levels may not be displayed, and use of non-genuine ink is recorded for possible use in service support.*
- ❑ *Due to ink characteristics, the ink cartridges of this printer are prone to sedimentation (components settling to the bottom of the liquid). If ink settles, tint unevenness and nozzle clogs occur. Shake a new ink cartridge before installing it. After installing it in the printer, remove and shake it periodically.*

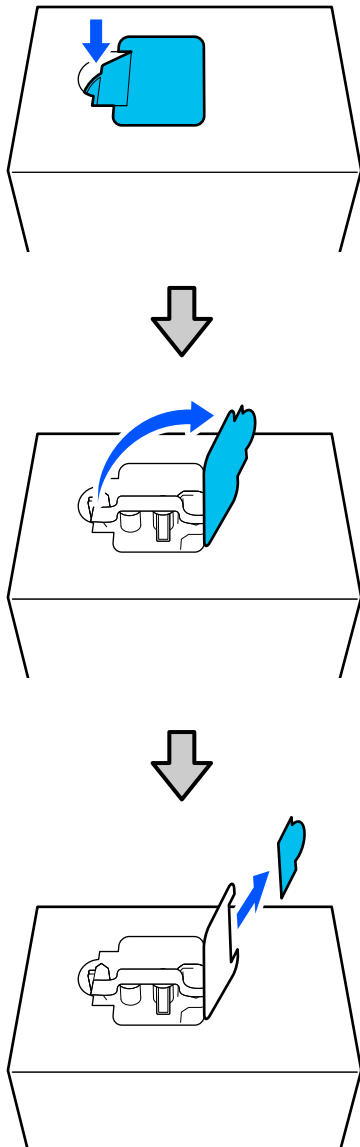
Maintenance

Opening and shaking

- 1 Place a new ink cartridge on a flat surface with the ink supply outlet slot facing up.



- 2 Use your hands to cut along the dashed lines of the slot to remove the portion shown in the illustration.

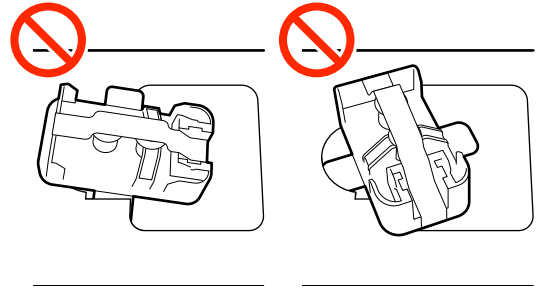
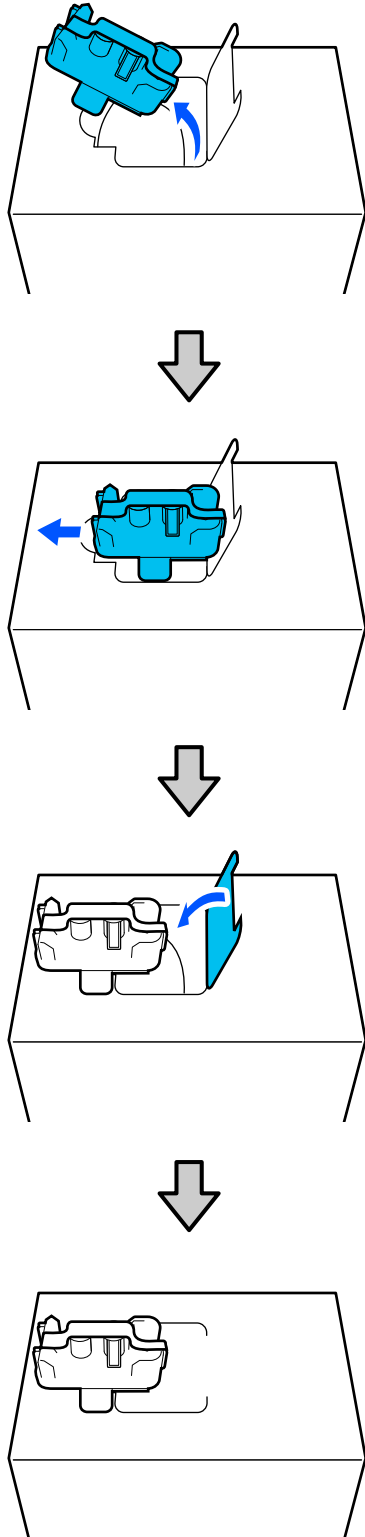


! Important:

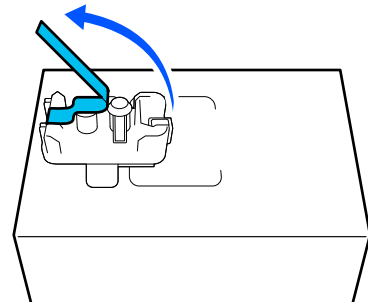
Do not use a cutter to cut along the dashed lines. Failure to observe this precaution could damage the internal parts and cause ink to leak.

Maintenance

- 3** Take out the ink supply outlet from inside and fix it as shown in the illustration.



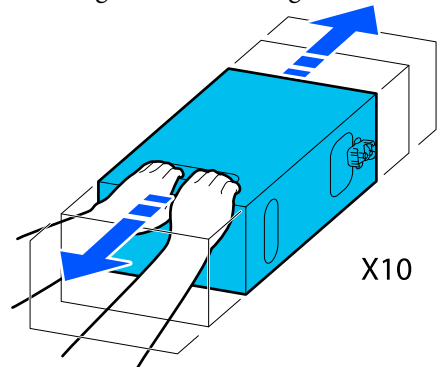
- 4** Remove tape from the surface of ink supply outlet.



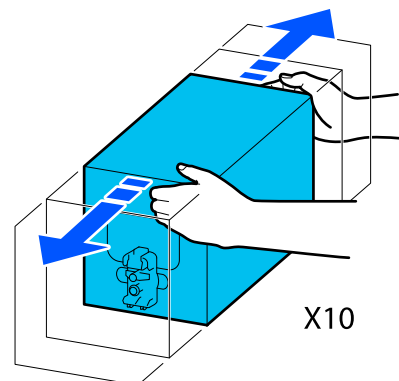
- 5** Place the ink cartridge with the ink supply outlet facing the side, and slide the ink cartridge back and forth longitudinally within the range of approximately 10 cm (3.93 in.) for ten times.

Move the ink cartridge at a rate of one back-and-forth cycle per second.

- When using 10 L ink cartridge



- When using 3 L ink cartridge

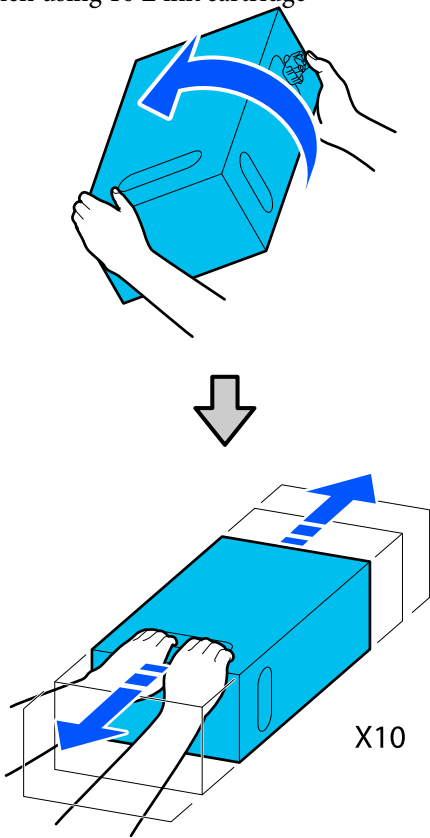


Maintenance

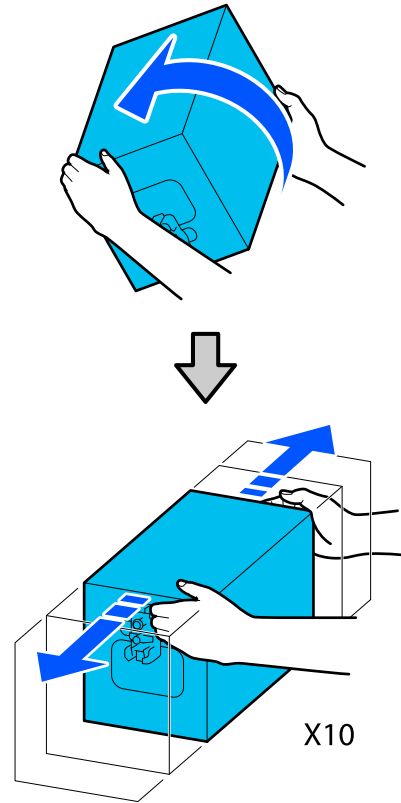
6 Turn over the ink cartridge and repeat the same cycle for ten times.

Move the ink cartridge at a rate of one back-and-forth cycle per second.

- When using 10 L ink cartridge



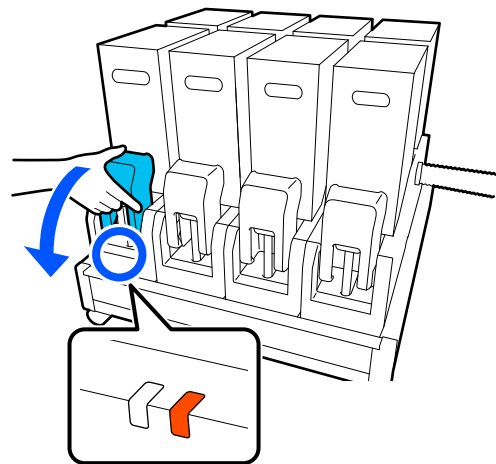
- When using 3 L ink cartridge



Replacement

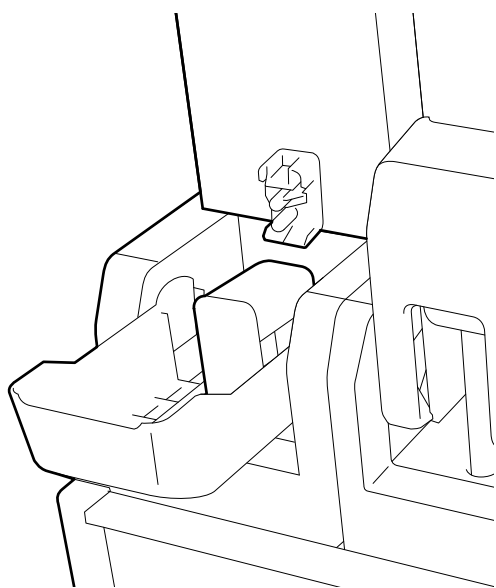
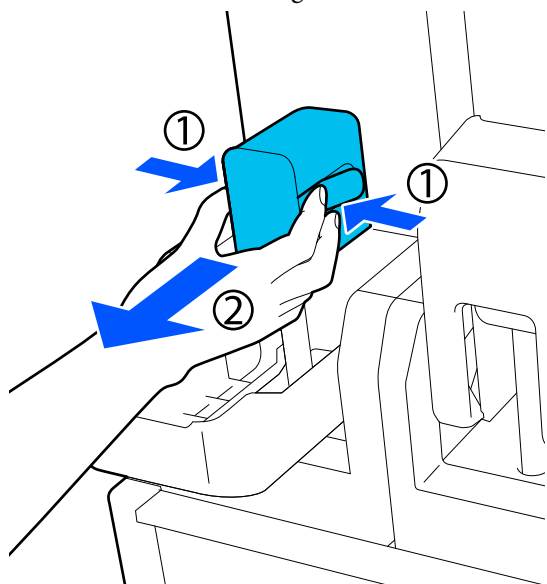
1 Make sure the printer is on, and then lower the ink cartridge cover of the used ink cartridge toward you.

The ink cartridge with a lit right (orange) lamp is the one that needs to be replaced.



Maintenance

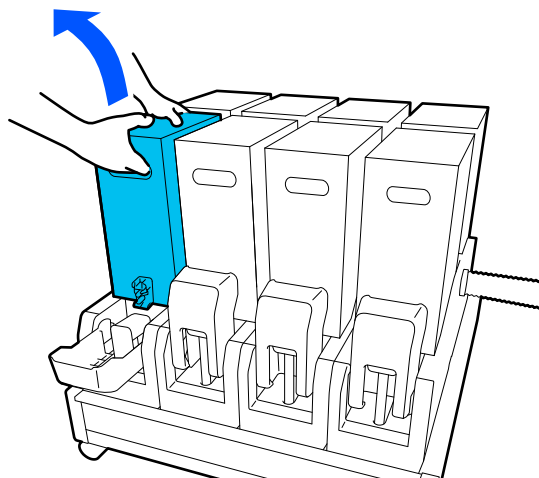
- 2** While pressing the levers on both sides of the connector, pull the connector toward you to remove it, and place the connector on the rear surface of the ink cartridge cover.



! Important:

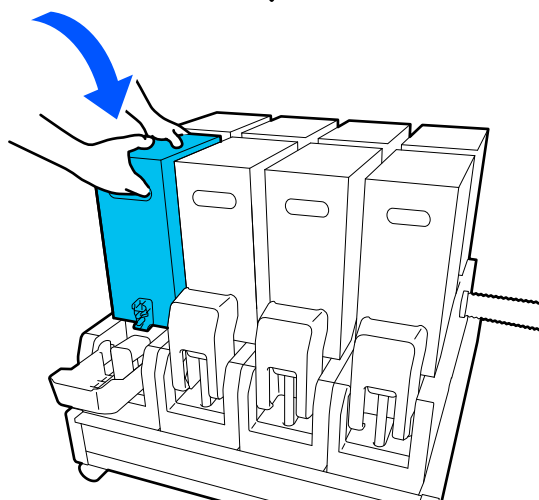
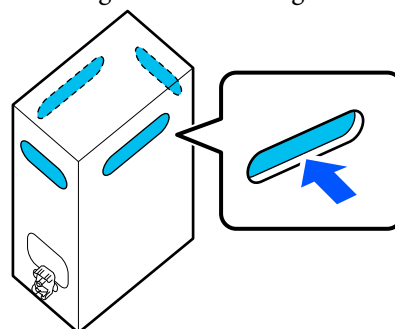
Do not leave the connector removed from the ink cartridge for more than 30 minutes. Otherwise, the ink will dry out and the printer may not function as expected.

- 3** Remove the used ink cartridge from the ink supply unit.



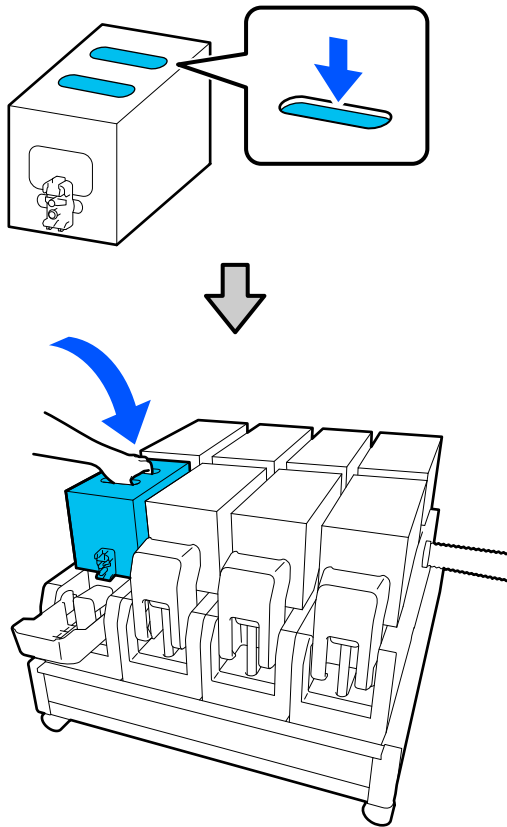
- 4** Open and hold the handle holes of shaken ink cartridge and place the ink cartridge such that the ink supply hole faces the connector.

- When using 10 L ink cartridge



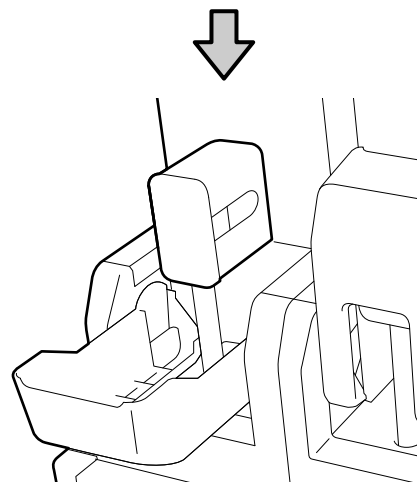
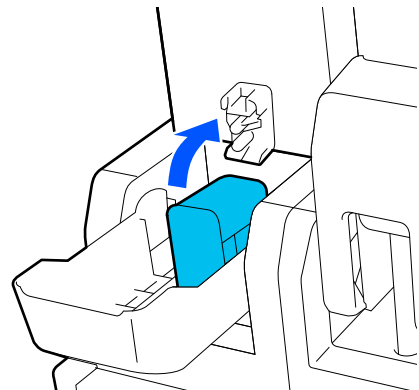
Maintenance

- ❑ When using 3 L ink cartridge

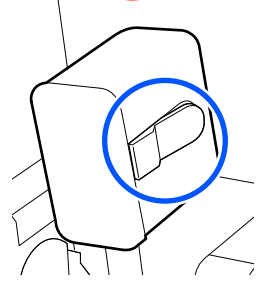
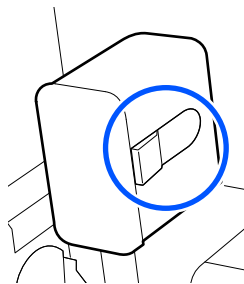


5

- Install the connector to the ink supply outlet.
Insert the connector until you hear a click.

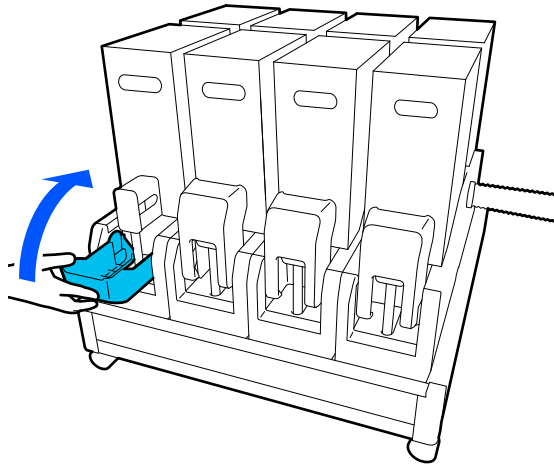


OK



Maintenance

- 6 Raise the ink cartridge cover.



Repeat the opening, shaking and replacement procedures to replace other ink cartridges.

Replace the wiper roll

Preparing and Replacement Timing

When a message is displayed indicating the time to replace the wiper roll is approaching

Prepare a new wiper roll as soon as possible.

When you want to replace the parts at this stage, such as due to night operations, execute **Maintenance - Replace Maintenance Parts - Replace Wiper Roll**, and then do the replacement work. If you replace it without selecting **Replace Wiper Roll**, the wiper roll counter will not operate correctly.

Maintenance [“Maintenance menu” on page 167](#)

When a message is displayed indicating it is time to replace the wiper roll

See the following section, and replace the wiper roll. Printing cannot be performed if the parts are not replaced.

Make sure you use a replacement wiper roll for this printer.

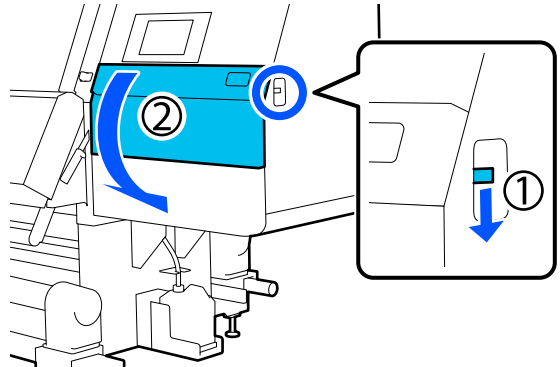
[“Options and Consumable Products” on page 179](#)

Before starting this procedure, be sure to read the following.

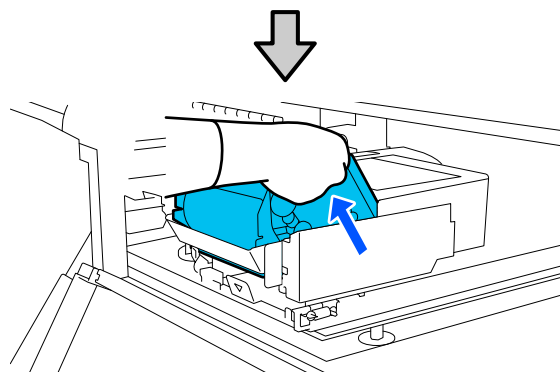
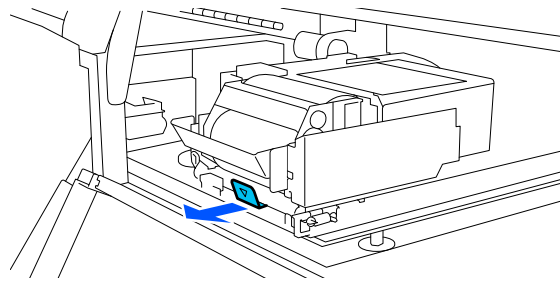
[“Precautions regarding maintenance” on page 106](#)

Replacement procedure

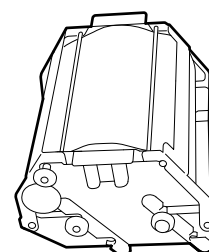
- 1 Check the on-screen message, and then press **Start**.
- 2 Lower the lock release lever to open the right-side maintenance cover.



- 3 Pull the lock lever, and then pull the wiper unit out at an upward angle.

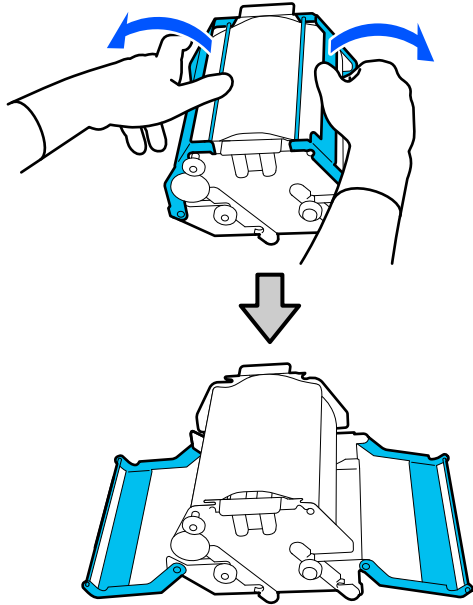


- 4 Place the wiper unit on a flat place oriented as shown in the illustration.

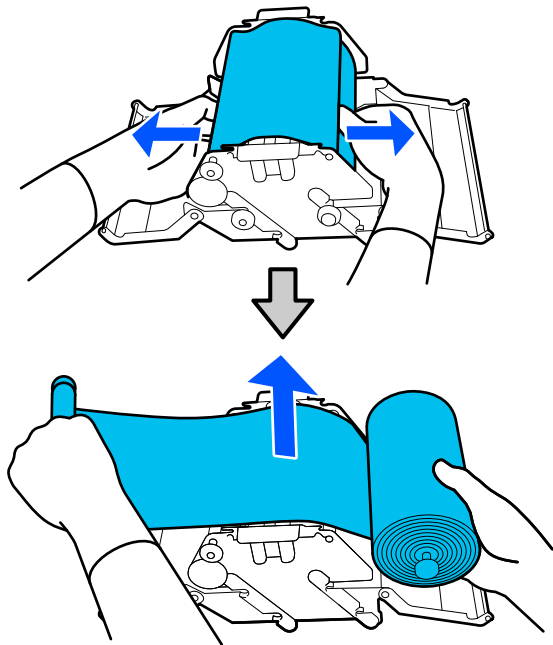


Maintenance

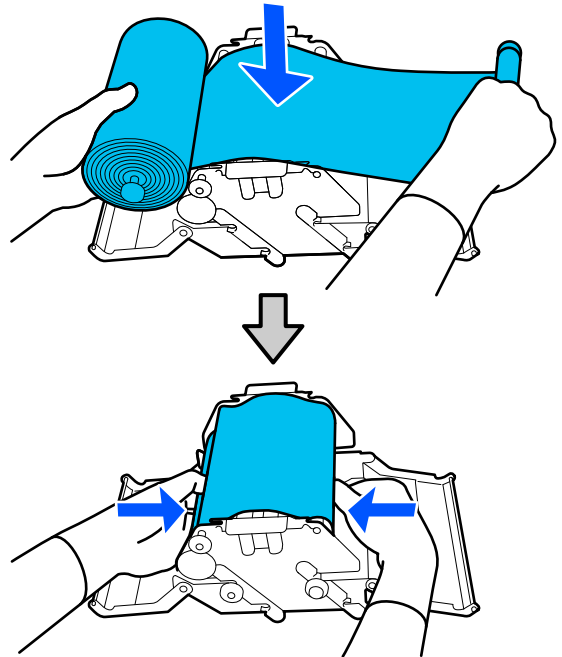
5 Open the left and right covers outwards.



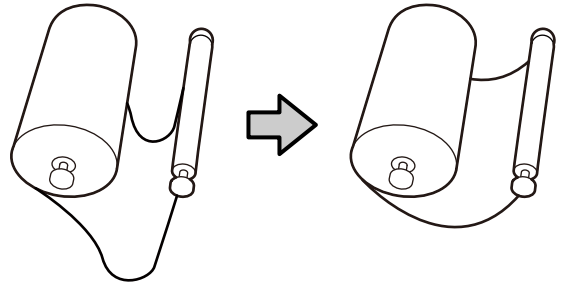
6 Hold the shaft and roll and pull them out, and remove the wiper roll.



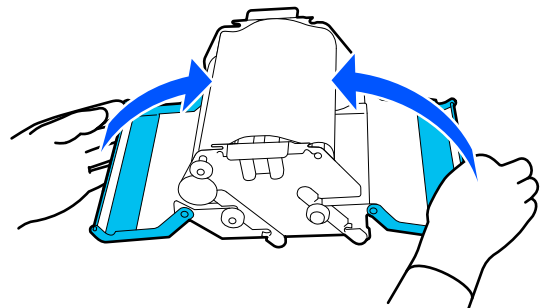
7 Install a new wiper roll.
Insert the shaft into the groove on the wiper unit, and press inward until you hear a click.



Install the wiper roll so it does not sag.
If it sags excessively, eliminate the sag.

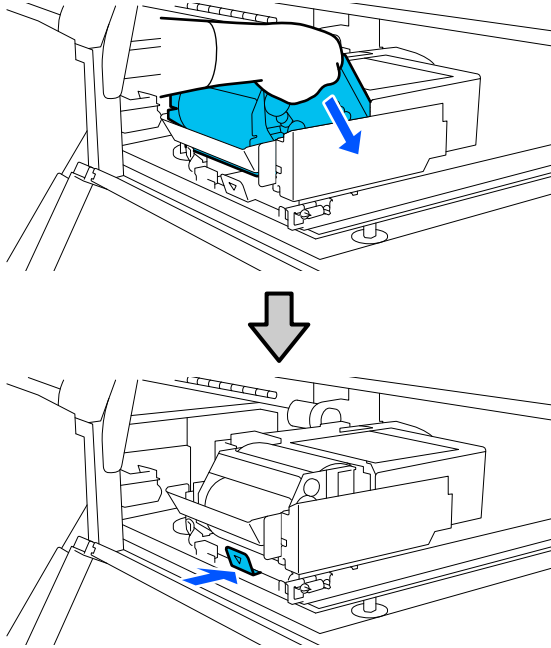


8 Close the left and right covers.

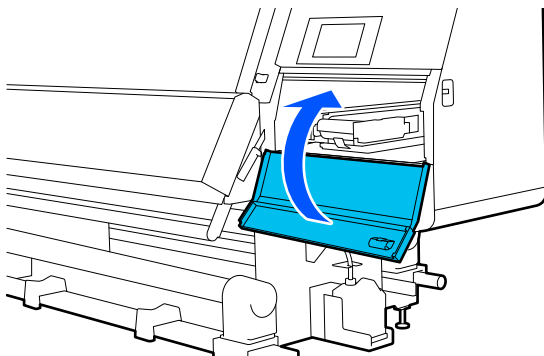


Maintenance

- 9 Install the wiper unit at an angle from above the printer, and then press the lock lever.



- 10 Close the maintenance cover.



- 11 Check the on-screen message, and then press Yes.

Disposing of Waste Ink

Preparing and Replacement Timing

When a message is displayed indicating the time to replace the waste ink bottle is approaching

Prepare a new waste ink bottle as soon as possible. When you want to replace the waste ink bottle at this stage, such as due to night operations, select **Replace Waste Ink Bottle** from the setup menu, and then replace the bottle. If you replace it without selecting **Replace Waste Ink Bottle**, the waste ink counter will not operate correctly.

Maintenance menu [☞](#) “Maintenance menu” on page 167

Waste Ink Counter [☞](#) “Waste Ink Counter” on page 127

! Important:

Never remove the waste ink bottle while printing or while the heads are being cleaned, unless there are on-screen instructions. Failure to observe this precaution could cause ink to leak.

When a message is displayed indicating it is time to replace the waste ink bottle

Replace the waste ink bottle with a new bottle immediately.

Replacement procedure [☞](#) “Replacing the Waste Ink Bottle” on page 127

Waste Ink Counter

The printer uses the waste ink counter to track waste ink and displays a message when the counter reaches the warning level. Replace the waste ink bottle with a new one according to the message indicating it is time to replace the waste ink bottle, and the counter is cleared automatically.

If you need to replace the waste ink bottle before this message is displayed, execute **Replace Waste Ink Bottle** from the setup menu.

Maintenance menu [☞](#) “Maintenance menu” on page 167

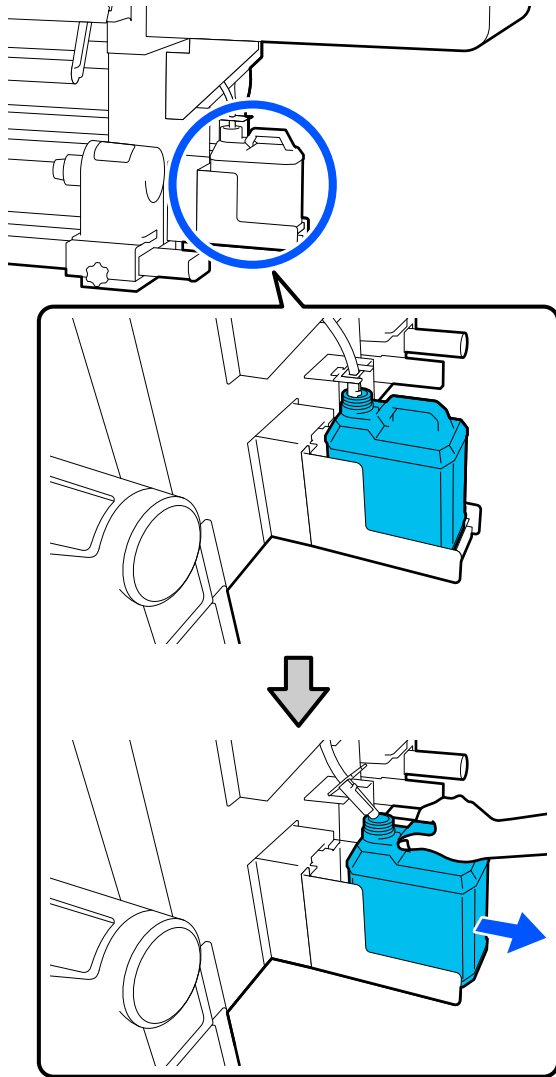
Replacing the Waste Ink Bottle

Follow the procedure below to replace the parts. Before starting this procedure, be sure to read the following.

[☞](#) “Precautions regarding maintenance” on page 106

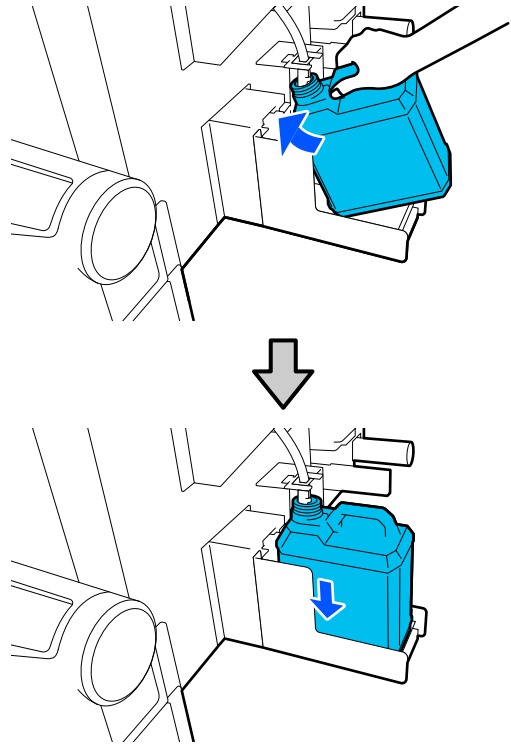
Maintenance

- 1 Remove the waste ink bottle from the holder.
Remove the waste ink bottle sideways, without tipping it, as shown in the illustration.



- 2 Remove the lid of the new waste ink bottle.

- 3 Insert the waste ink tube into the mouth of the new waste ink bottle and place it in the holder.



Tightly seal the lid on the used waste ink bottle.

! *Important:*

- Be sure to confirm that the waste ink tube is inserted in the mouth of the waste ink bottle. Ink will spill onto the surrounding area if the tube is not inserted in the bottle.*
- You will need the lid for the new waste ink bottle when disposing of waste ink. Keep the lid in a safe place; do not throw it out.*

- 4 On the screen, press **Done**.
Leave the waste ink in the waste ink bottle for disposal; do not transfer it to another container.

Replacing the media holder

Preparing and Replacement Timing

When a message appears on the control panel screen indicating the service life of the media holder, prepare a new media holder, and then replace the media holder according to the next section.

Maintenance

Replace the media holders that have switches, for feeding and the media holders for take-up. Make sure you use a replacement media holder for this printer.

 [“Options and Consumable Products” on page 179](#)

Before starting this procedure, be sure to read the following.

 [“Precautions regarding maintenance” on page 106](#)

If you want to replace these parts regardless of the on-screen messages, execute **Maintenance - Replace Maintenance Parts - Replace Take In Media Holder or Replace Take Up Media Holder**, and then do the replacement work. If you do a replacement without executing it from the settings menu, the media holder counter will not operate correctly.

What You'll Need

- New media holder
- Hex wrench supplied with the printer (when replacing the Take In Media Holder)
- Commercially available Phillips head screwdriver (when replacing the Take Up Media Holder)

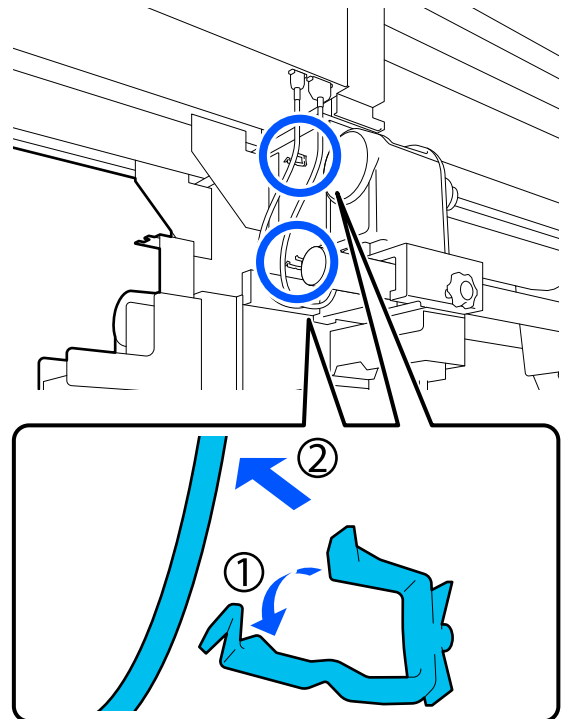
How to replace the Take In Media Holder

1 Check that no media is loaded on the Media Feeding Unit.

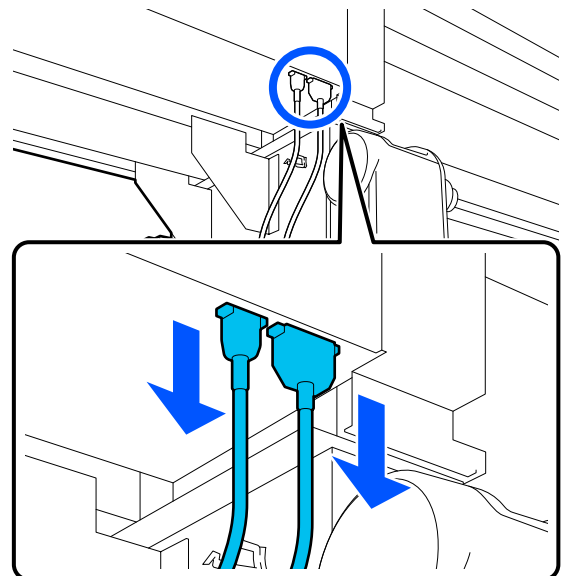
If any media is loaded, remove it.

 [“Removing the Loaded Media” on page 89](#)

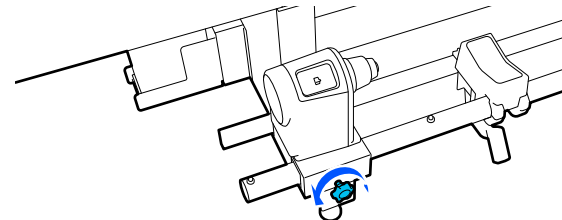
2 Remove the cables from the clamps.



3 Remove the 2 cables from the printer.

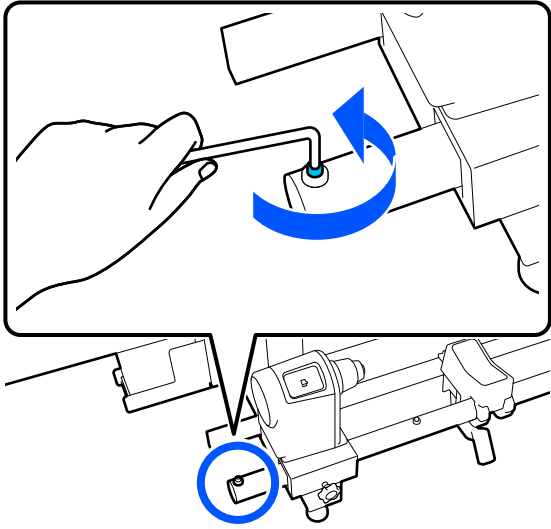


4 Loosen the fixing screw on the media holder.

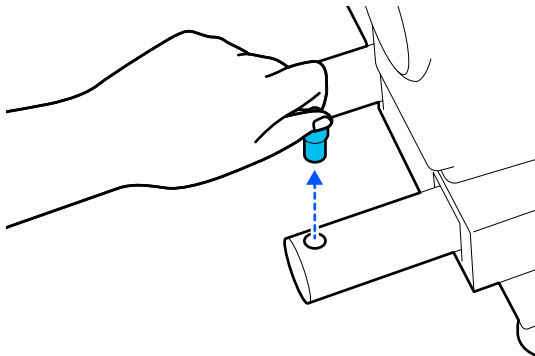


Maintenance

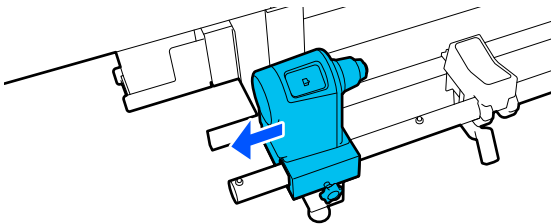
- 5** Use the hex wrench to loosen the head of the screw so it rises up about 5 mm (1.96 in.) as shown in the illustration.



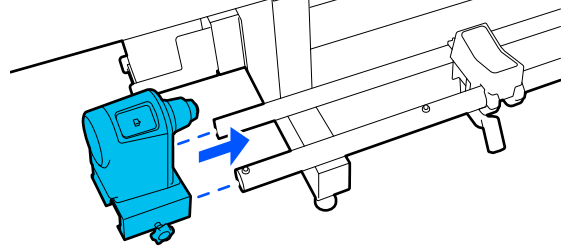
- 6** Pull the screw out upward together with the rubber part around it.



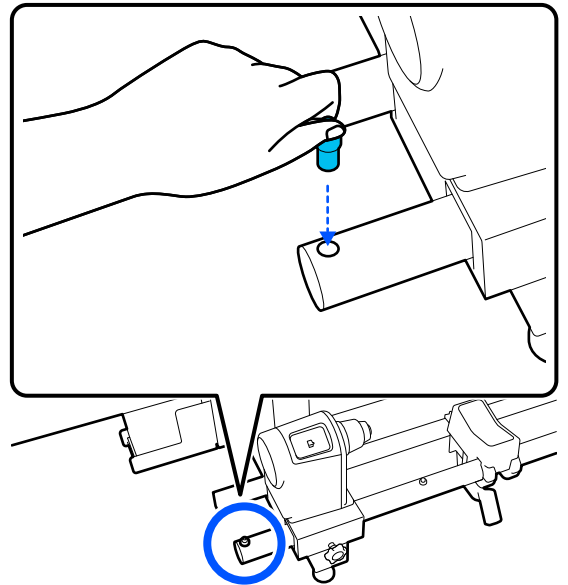
- 7** Pull the media holder toward the outer side.



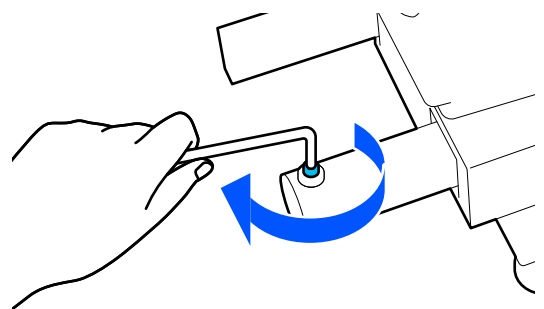
- 8** Insert the new media holder from the outer side.



- 9** Insert the parts you pulled out in Step 6.

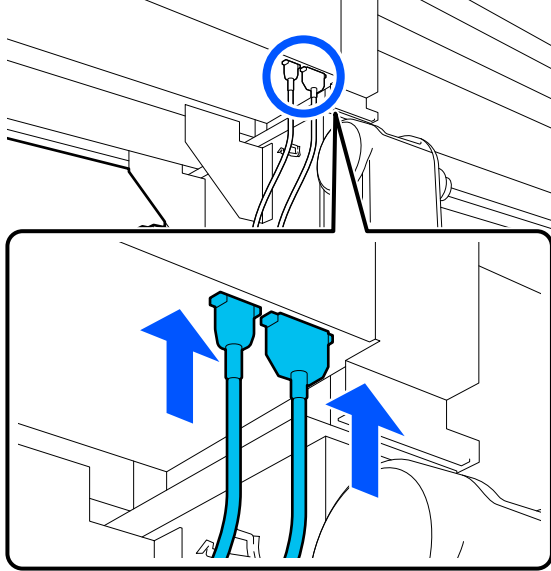


- 10** Use the hex wrench to tighten the screw until its head is flush.

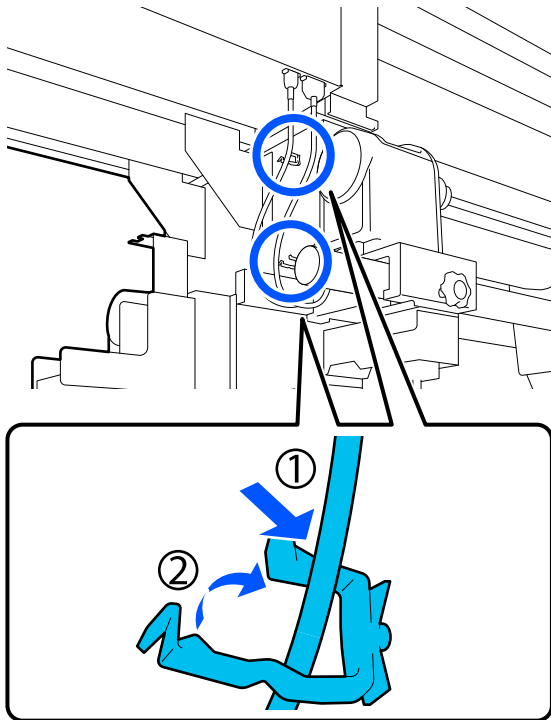


Maintenance

- 11 Connect the 2 cables to the printer.



- 12 Pass the cables through the clamps.



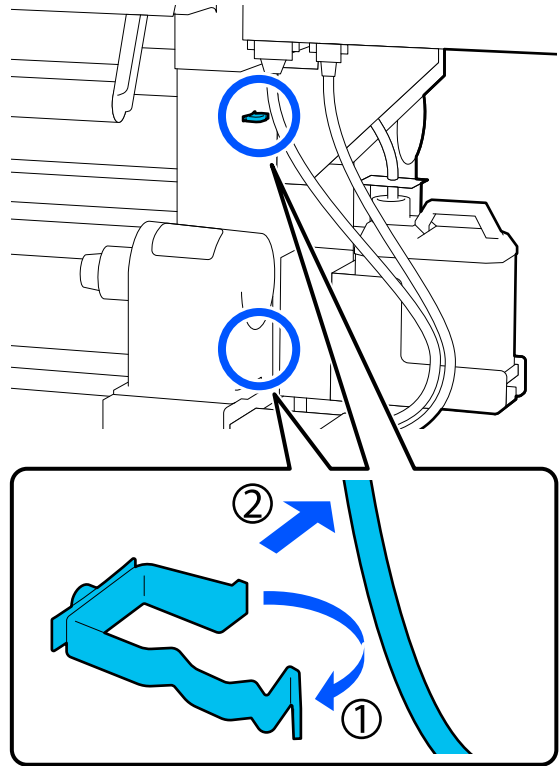
- 13 On the screen, press **Done**.
The counter for the media holder is reset.

How to replace the take up media holder

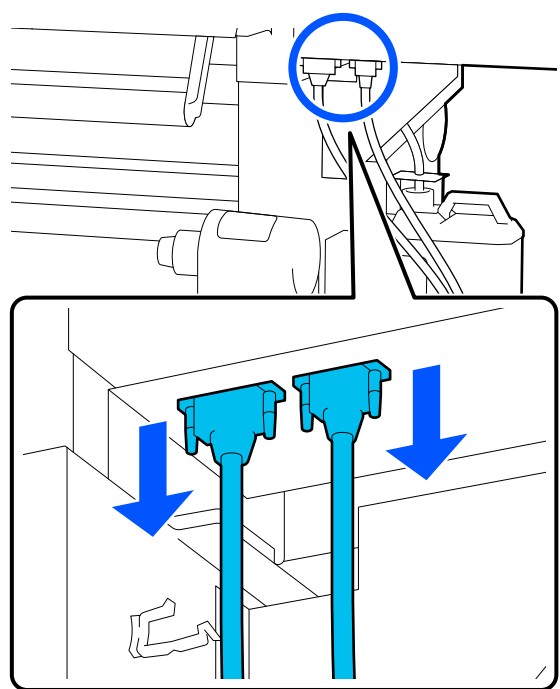
- 1 Check that no media is on the auto take-up reel unit.
If there is any media, remove it.

[“Removing the Take-up Roll” on page 87](#)

- 2 Remove the cables from the clamps.

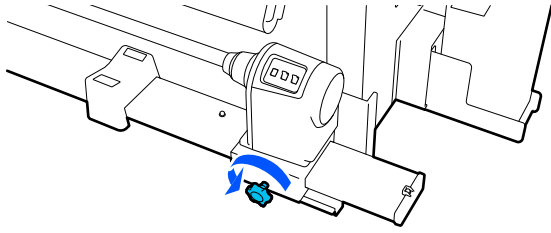


- 3 Remove the 2 cables from the printer.

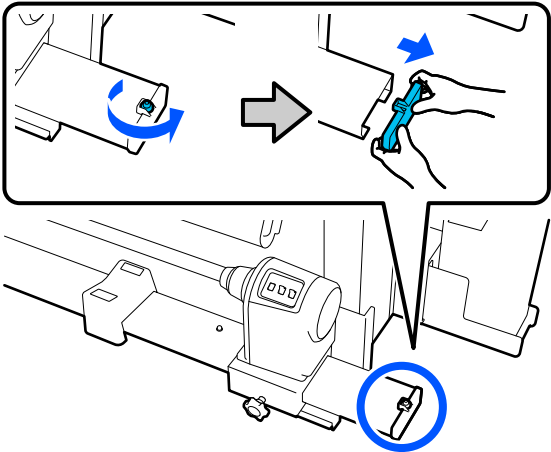


Maintenance

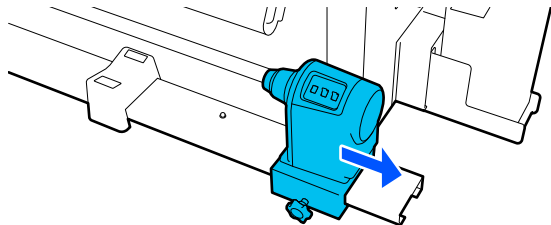
4 Loosen the fixing screw on the media holder.



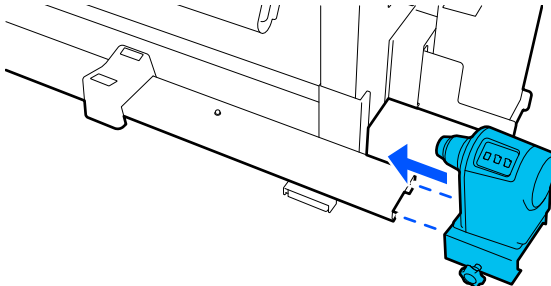
5 Use a Phillips screwdriver to remove the screw shown in the illustration, and then remove the end cover.



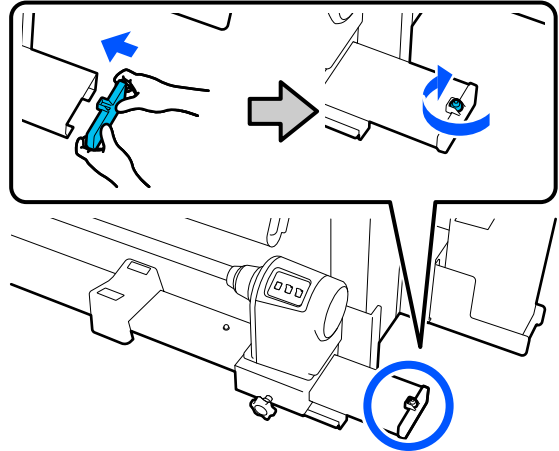
6 Pull the media holder toward the outer side.



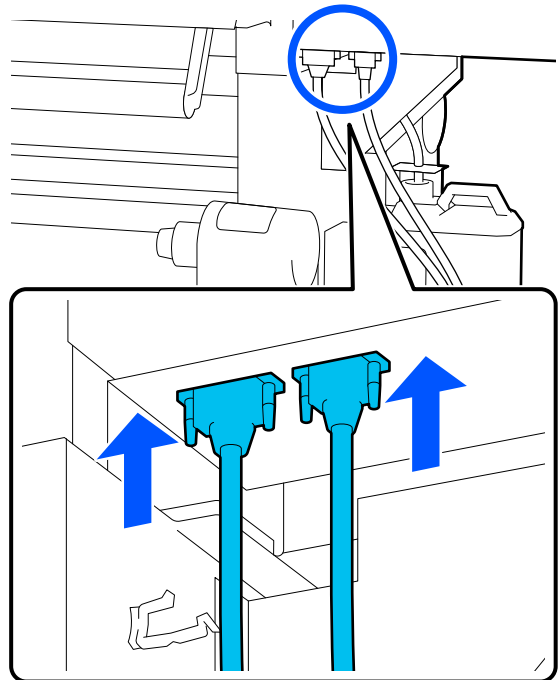
7 Insert the new media holder from the outer side.



8 Attach the end cover and use a Phillips screwdriver to tighten the screw.

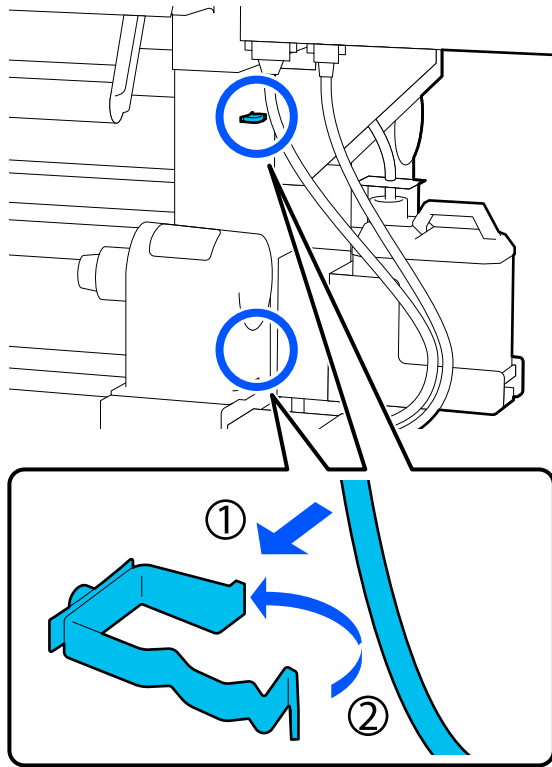


9 Connect the 2 cables to the printer.



Maintenance

10 Pass the cables through the clamps.



11 On the screen, press **Done**.
The counter for the media holder is reset.

Other maintenance

Periodic shaking of ink cartridges

After installing an ink cartridge in the printer, a shake message is displayed on the control panel screen at the following intervals.

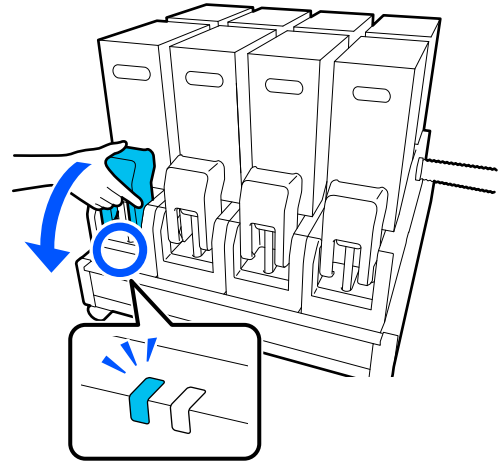
- High Density Black Ink: Once every week
- Other inks: Once every three weeks

If the message appears, remove the ink cartridge immediately and shake it.

The shaking method to be followed after the installation differs from that followed when opening the ink cartridge. Follow the steps below for shaking.

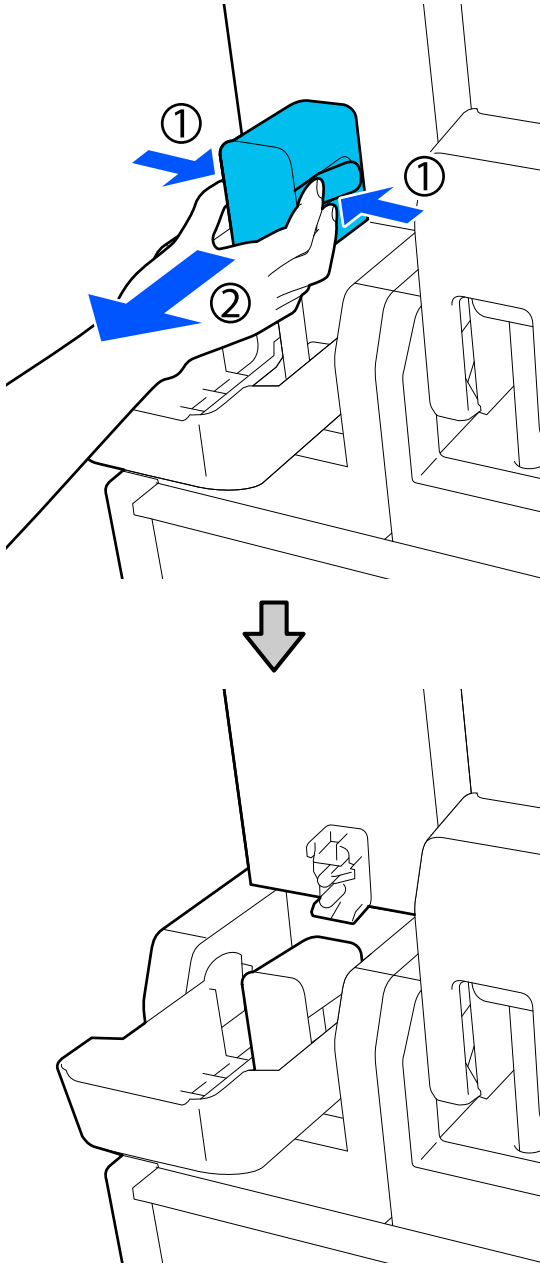
1 Make sure the printer is on, and then lower the ink cartridge cover of the ink cartridge to be shaken, toward you.

The ink cartridge with a flashing left (blue) lamp is the one that needs to be shaken.



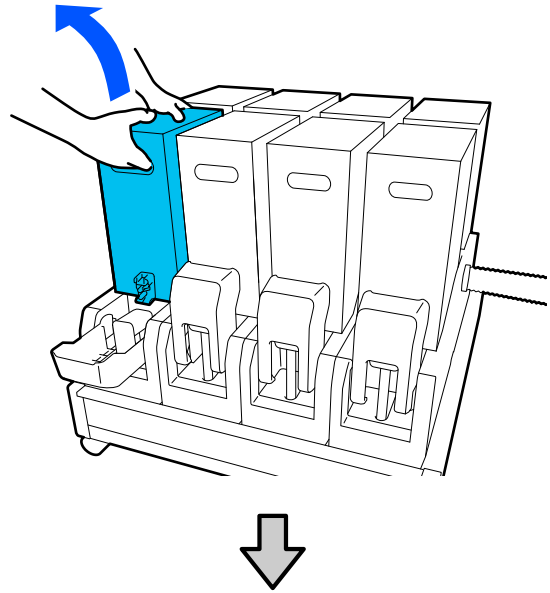
Maintenance

- 2** While pressing the levers on both sides of the connector, pull the connector toward you to remove it, and place the connector on the rear surface of the ink cartridge cover.

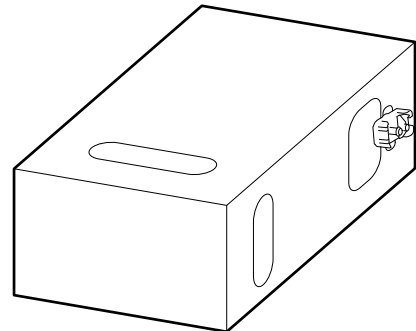


! Important:
 Do not leave the connector removed from the ink cartridge for more than 30 minutes. Otherwise, the ink will dry out and the printer may not function as expected.

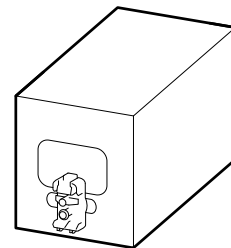
- 3** Remove the ink cartridge from the ink supply unit, and place it on a flat surface with the ink supply outlet facing the side.



- When using 10 L ink cartridge



- When using 3 L ink cartridge

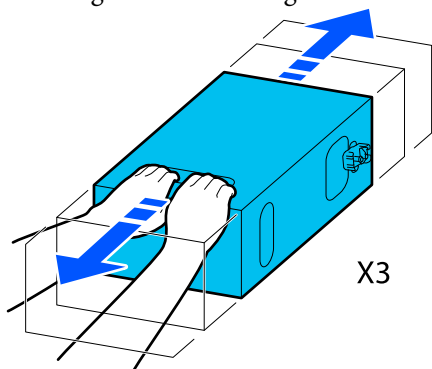


- 4** Slide the ink cartridge back and forth longitudinally within the range of approximately 10 cm (3.93 in.) for three times.

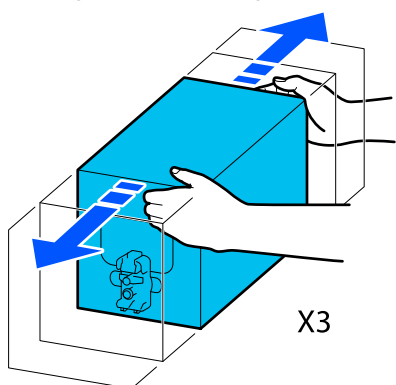
Move the ink cartridge at a rate of one back-and-forth cycle per second.

Maintenance

- ❑ When using 10 L ink cartridge



- ❑ When using 3 L ink cartridge

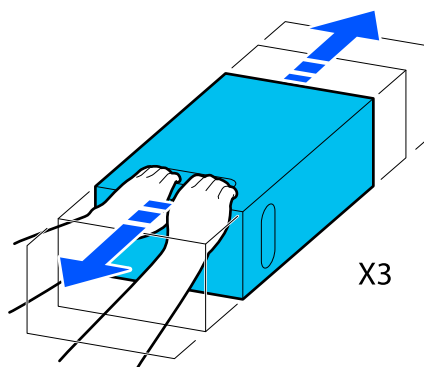
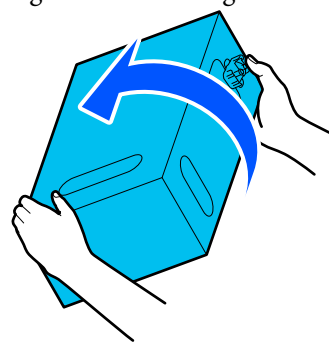


5

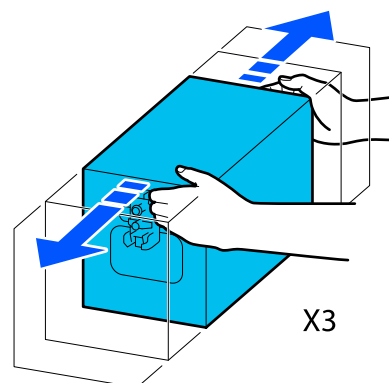
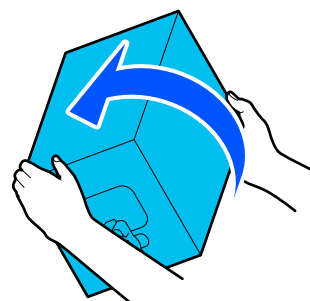
Turn over the ink cartridge and repeat the same cycle for three times.

Move the ink cartridge at a rate of one back-and-forth cycle per second.

- ❑ When using 10 L ink cartridge



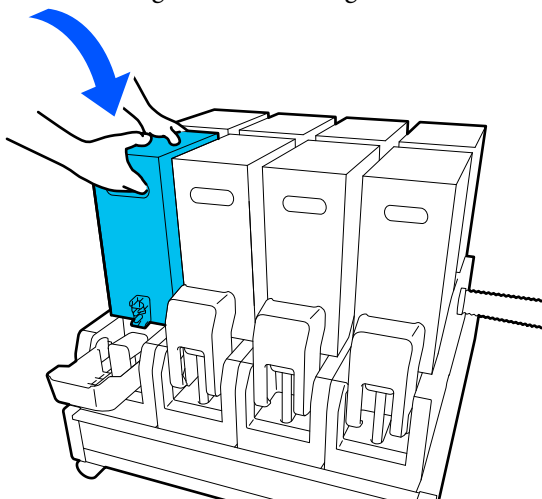
- ❑ When using 3 L ink cartridge



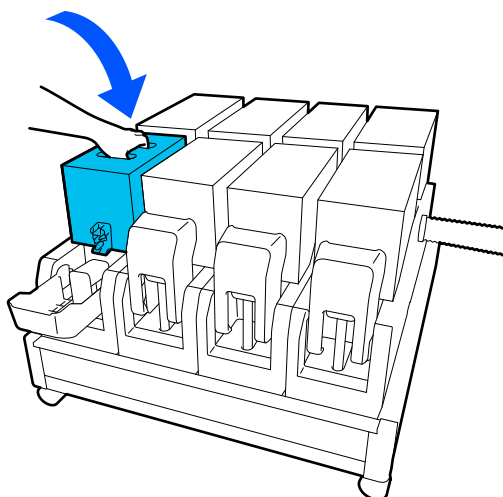
Maintenance

6 Place the shaken ink cartridge such that the ink supply hole faces the connector.

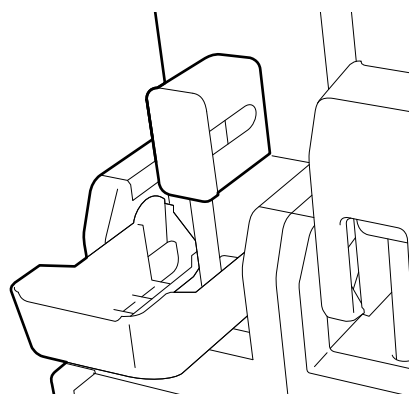
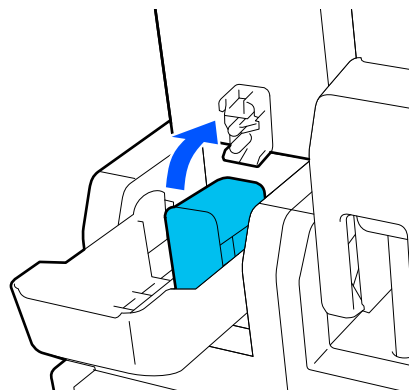
- When using 10 L ink cartridge



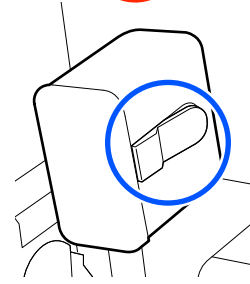
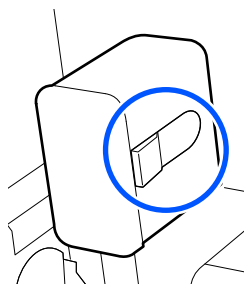
- When using 3 L ink cartridge



7 Install the connector to the ink supply outlet. Insert the connector until you hear a click.

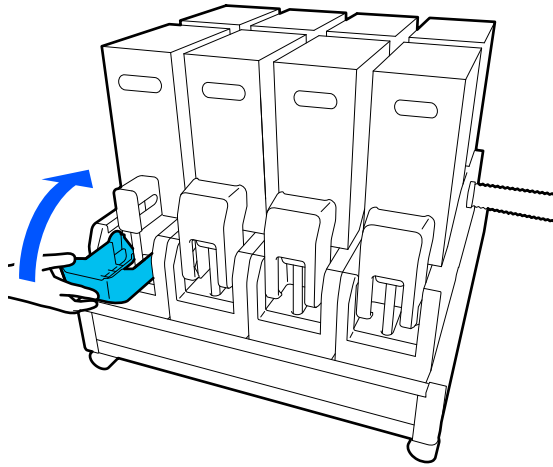


OK



Maintenance

- 8** Raise the ink cartridge cover.



Repeat the same procedure to replace other ink cartridges.

Checking for clogged nozzles

We recommend that you check the nozzles for clogs each time you print to ensure quality results.

Ways to Check for Clogs

There are three ways to check for clogs.

On-Demand Nozzle Pattern.

When you want to check that there is no clogging or stripes and unevenness in print results before printing, print a nozzle check pattern. Inspect the printed check pattern visually to determine whether the nozzles are clogged.

See the following for details.

[“Printing nozzle check patterns” on page 137](#)

Depending on the width of the loaded media, you can save media by printing additional test patterns in the space beside an existing pattern:

Set Nozzle Check Pattern for Information Printing.

This prints a check pattern on the left and right edges of the media during printing. Inspect the check pattern visually to determine whether nozzles were clogged during printing.

[“General Settings menu” on page 152](#)

Set Nozzle Check between Pages.

A check pattern is printed according to the Execution Timing that is set. You can visually inspect the check pattern to determine whether there may be faint or missing colors in the preceding or following printout.

You can set one of Print Length, Print Page, or Print Duration for Execution Timing.

[“General Settings menu” on page 152](#)

Printing nozzle check patterns

- 1** Check that the printer is ready, and then press in the Home screen.

The Maintenance menu is displayed.

- 2** Press **Print Head Nozzle Check**, set Saving Mode and Print Position, and then press **Start**.

Setting Saving Mode to On shortens the printed length of the check pattern, which reduces the amount of media that is used.

Depending on the width of the media that is loaded, the Print Position can be set. By setting Print Position, you can reduce the amount of media that is used because you can print the patterns in line in the margin in which the first pattern is printed. To print them in line, press the media feed button to rewind the media to the position to print the pattern.

The number of patterns that can be printed in a line varies depending on whether Saving Mode is set, the width of the media that is loaded, and the Margins that are set. The following counts are guidelines.

When Saving Mode is Off

SC-F10000H Series:

- If the width is equal to or greater than 64 inches but less than 76 inches, up to 3 patterns can be printed in line (one on the Right, one in the Center Right, and one on the Center Left).
- If the width is equal to or greater than 43 inches but less than 64 inches, up to 2 patterns can be printed in line (one on the Right and one in the Center Right).
- If the width is less than 43 inches or Width Detection is set to Off, printing in line cannot be done.

SC-F10000 Series:

Maintenance

- ❑ If the width is equal to or greater than 62 inches but less than 76 inches, up to 4 patterns can be printed in line (one on the Right, one in the Center Right, one in the Center Left, and one on the Left).
- ❑ If the width is equal to or greater than 47 inches but less than 62 inches, up to 3 patterns can be printed in line (one on the Right, one in the Center Right, and one on the Center Left).
- ❑ If the width is equal to or greater than 32 inches but less than 47 inches, up to 2 patterns can be printed in line (one on the Right and one in the Center Right).
- ❑ If the width is less than 32 inches or Width Detection is set to Off, printing in line cannot be done.

When Saving Mode is On

SC-F10000H Series:

- ❑ If the width is equal to or greater than 75 inches but less than 76 inches, up to 2 patterns can be printed in line (one on the Right and one in the Center Right).
- ❑ If the width is less than 75 inches or Width Detection is set to Off, printing in line cannot be done.

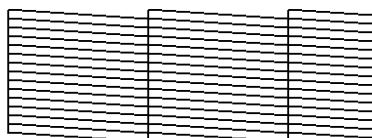
SC-F10000 Series:

- ❑ If the width is equal to or greater than 53 inches but less than 76 inches, up to 2 patterns can be printed in line (one on the Right and one in the Center Right).
- ❑ If the width is less than 53 inches or Width Detection is set to Off, printing in line cannot be done.

Press **Start** to print a nozzle pattern.

- 3** Cut the media as necessary, and then check the printed patterns.

Example of clean nozzles



If no parts of the check pattern are missing, press **OK**. The Maintenance screen returns.

Example of clogged nozzles



If parts of the check pattern are missing, press **NG**, and then do Print Head Cleaning.

[“Print Head Cleaning” on page 138](#)

Important:

Always remove clogs from the nozzles of all colors before resuming use. If clogged nozzles (including clogged nozzles for colors that are not used) remain when printing after resuming use, the clogs can no longer be removed.

Print Head Cleaning

Types of Cleaning

Print Head Cleaning is split between the following 3 types.

Perform head cleaning as necessary.

Perform head cleaning if there are faint or missing parts of the check pattern that was printed.

You can perform head cleaning while printing by pausing the job. However, printing may be disturbed when printing is resumed.

See the following for details.

[“Cleaning procedure” on page 139](#)

Set Periodic Cleaning.

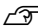
In Maintenance Setting, set Periodic Cleaning to On to do periodic head cleaning as a preventative measure before clogs actually occur in the nozzles. Set one of Print Duration, Print Page, or Print Length for the interval.

[“Maintenance menu” on page 167](#)

Maintenance

Set Maintenance Cleaning.

In Maintenance Setting, setting Maintenance Cleaning to On cleans the print heads automatically, after a set period of time has passed, to keep the print heads in good condition.

 [“Maintenance menu” on page 167](#)



Cleaning procedure

Print Head Cleaning has the following three types.

- Auto Cleaning
The level is automatically changed, according to the condition of the clog detected in a nozzle, and then cleaning is done.
- Cleaning(Light), Cleaning(Medium), Cleaning(Heavy)
Cleaning is done at one of three selected levels.
- Print Head Refresh
Powerful cleaning is done with the ink suction function of the suction caps.

Perform Auto Cleaning first. If the clogs are not cleared by doing it, then do in the order of Cleaning(Light), Cleaning(Medium), and Cleaning(Heavy) until the clogs are cleared.

Execute Print Head Refresh if there are multiple large clogs, even though you executed Cleaning(Heavy). When you execute Print Head Refresh, the suction caps need to be cleaned, because of this, the cleaning operation takes a long time, so execute it if you have the problem described above.

- 1**  Check that the printer is ready, and then press .

The Maintenance menu is displayed.

- 2** Press **Print Head Cleaning**.

- 3** Select a cleaning method.

Select **Auto Cleaning** first.

For the second and subsequent cleanings, select in the order of **Cleaning(Light)**, **Cleaning(Medium)** and **Cleaning(Heavy)**.

- 4** Head cleaning starts.

A cleaning result message is displayed when head cleaning is complete.

- 5** Check the message and click **OK**.

If clogging is cleared

Continue with normal operations.

If clogging is not cleared


Go back to Step 1 and do Cleaning(Light). After executing Cleaning(Light), execute cleaning at the next higher cleaning level.

If nozzles are still clogged even after performing Cleaning(Heavy)

The print head or the areas around the anti-drying caps may be soiled. Clean around the print head and anti-drying caps. If there are multiple large clogs, then do Print Head Refresh at the same time.

 [“Cleaning Around the Print Head” on page 116](#)

 [“Cleaning anti-drying caps” on page 112](#)

 [“Maintenance menu” on page 167](#)

Checking the circuit breaker's performance

The circuit breaker automatically cuts off the electric circuit when electric leakage has occurred in the printer. Follow the procedure below to check the performance of both circuit breakers about once a month.

The breaker may be changed or removed without notice. The procedure for operation is the same, even when slight changes are made to the Trip button or Test button position or to the description of the breaker.

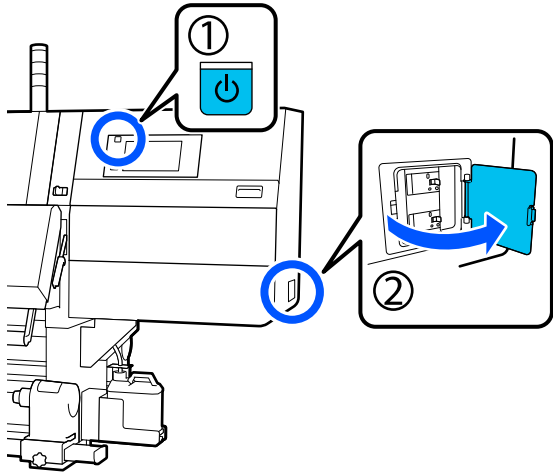
Important:

Do not turn off the power by using the circuit breaker. Otherwise, the printer may not function as expected.

Maintenance

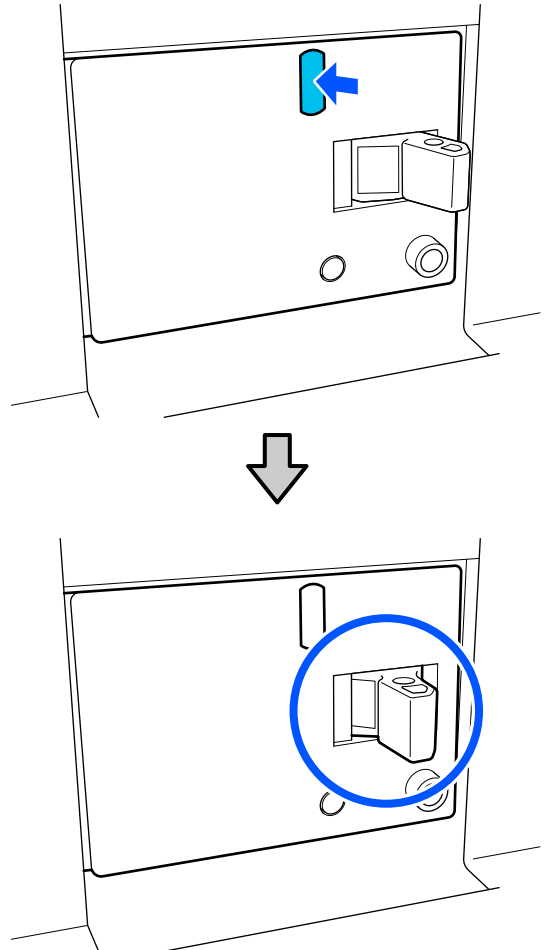
- 1** Turn off the printer and open the circuit breaker cover.

Leave the power plug plugged in. Also, the ground wire must be connected when checking the circuit breaker's performance. Check "Safety Precautions" for details on the ground wire.

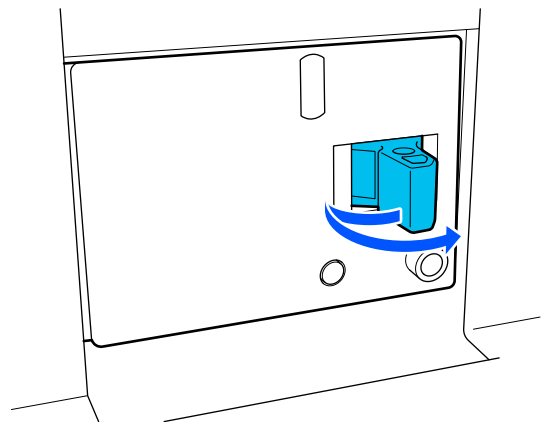


- 2** Press the Trip button of a circuit breaker with a fine-tipped tool such as a ball-point pen.

The breaker is working properly if the breaker switch moves to an intermediate position between ON and OFF.



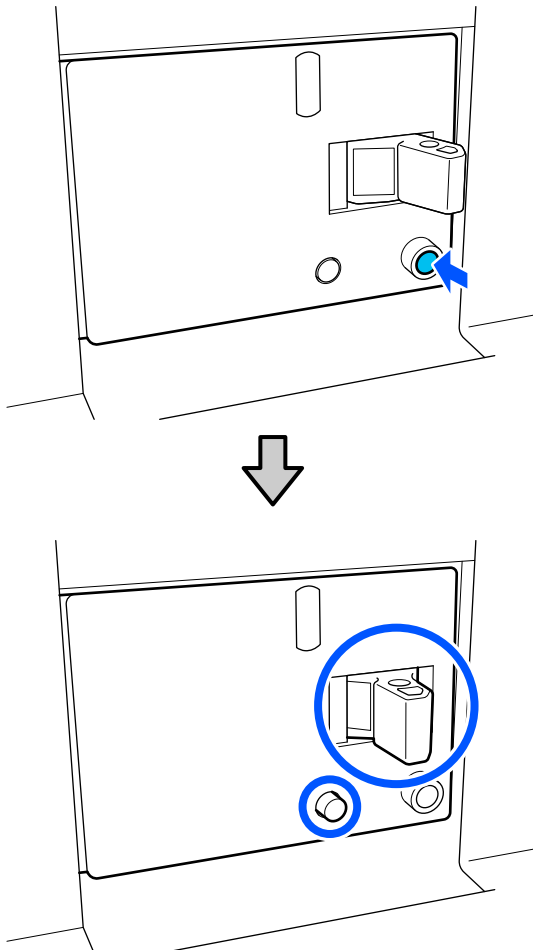
- 3** If the breaker has worked properly, turn OFF the breaker switch once and turn it back ON.



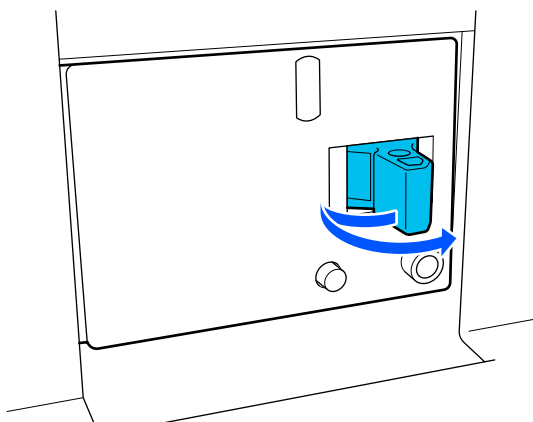
Maintenance

- 4** Press the Test button.

The breaker is working properly if an electric leakage check button protrudes and the breaker switch moves to an intermediate position between ON and OFF.



- 5** If the breaker has worked properly, turn OFF the breaker switch once and turn it back ON.



- 6** Repeat Steps 2 to 5 to check the performance of the other circuit breaker.

If any abnormality is found, contact your local dealer or Epson service call center.

Disposal of used consumables

Disposal

The following used parts with adhered ink are classified as industrial waste.

- Ink cartridges
- Cleaning stick
- Cleaning fluid
- Waste ink
- Waste Ink Bottle
- Wiper Roll
- Media after printing

Dispose of items according to local laws and regulations. For example, contract a industrial waste disposal company for disposal. In such cases, submit the "Safety data sheet" to the industrial waste disposal company.

You can download it at your local Epson Web site.

Control Panel Menu

Menu List

The following items and parameters can be set and executed in the Menu. See the reference pages for more details on each item.

General Settings

For more information on these items, see [🔗 “General Settings menu” on page 152.](#)

Item	Parameter
Basic Settings	

Control Panel Menu

Item	Parameter
LCD Brightness	1 to 9
Sound	
Button Press	0 to 3
Alert	0 to 3
Completion Notice	0 to 3
Warning Notice	
Volume	0 to 3
Repeat	Never, Until Stopped
Error Tone	
Volume	0 to 3
Repeat	Never, Until Stopped
Sound Type	Pattern1, Pattern2
Sleep Timer	1 to 240 minutes
Date/Time Settings	
Date/Time	
Time Difference	-12:45 to +13:45
Language	Japanese, English, French, Italian, German, Portuguese, Spanish, Dutch, Russian, Turkish, Korean, Simplified Chinese, Traditional Chinese
Background Color	Gray, Black, White
Keyboard	QWERTY, AZERTY, QWERTZ
Unit Settings	
Length	m, ft/in
Temperature	°C, °F
Printer Settings	

Control Panel Menu

Item	Parameter
Margins	
Side(Right)	3 to 25 mm (0.11 to 0.98 in.)
Side(Left)	3 to 25 mm (0.11 to 0.98 in.)
Margin Between Pages	0 to 999 mm (0 to 39.33 in.)
Width Adjustment	-10 to +10 mm (-0.39 to 0.39 in.)
Print Start Position	0 to 1000 mm (0 to 39.37 in.)
Skip Wrinkled Media	On, Off
Job Connection	On, Off
Information Printing	
Off	
On	
Margin Between Images	5 to 999 mm (0.19 to 39.33 in.)
Print Position	Next to the Image, Media End
Event Marking	
Off	
On	
Print Position	Left, Right, Left and Right
Nozzle Check Pattern	
Pattern Selection	Do Not Print, Normal, Paper Width Saving
Print Position	Left, Right, Left and Right
Ink Density	Standard, Dark
Media Detection	
Width Detection	
On	
Off	300.0 to 1950.0 mm (11.81 to 76.77 in.)


Control Panel Menu

Item	Parameter
Actions after Media Scuffing	Stop Immediately, Stop when Continuously Detected, Ignore
Nozzle Check between Pages	
On	
Execution Timing	
Print Length	1 to 9999 meters (3.28 to 32805.12 ft.)
Print Page	Each 1 to 9999 pages
Print Duration	1 to 9999 minutes
Execution during Job	On, Off
Pattern Type	Paper Saving, Normal
Off	
Information Printing at Media Cut	
Paper Remaining Information	On, Off
Print Information	On, Off
Heater Off Timer	0 to 30 minutes
Inside Light	Auto, Manual
Restore Default Settings	Network Settings, Clear All Data and Settings
Maintenance Setting	
Cleaning Setting	
Threshold Of Clogged Nozzles	1 to 50
Max Retry Cleaning Count	0, 1, 2
Maintenance Schedule	Between Jobs, When Detected
Nozzle Compensation	On, Off
Periodic Cleaning	
On	
Print Duration	1 to 9999 minutes
Print Page	Each 1 to 9999 pages
Print Length	1 to 9999 meters (3.28 to 32805.12 ft.)
Off	
Actions Beyond the Threshold of Missing Nozzles	Stop Printing, Show Alert, Auto Cleaning
Maintenance Cleaning	On, Off
Network Settings	

Control Panel Menu

Item	Parameter
Network Status	Wired LAN Status, Print Status Sheet
Advanced	
Device Name	
TCP/IP	
Proxy Server	
IPv6 Address	Enable, Disable
Link Speed & Duplex	Auto, 10BASE-T Half Duplex, 10BASE-T Full Duplex, 100BASE-TX Half Duplex, 100BASE-TX Full Duplex, 1000BASE-T Full Duplex
Redirect HTTP to HTTPS	Enable, Disable
Disable IPsec/IP Filtering	
Disable IEEE802.1X	

Media Settings

For more information on these items, see  [“Media Settings menu” on page 160](#)

Item	Parameter
Current Settings	
Media	01 XXXXXXXXXXXX to 50 XXXXXXXXXXXX
Media Type	
Media Width	
Pass Mode	
Advanced Settings	
Print Adjustments	
Automatic Adjustment	
Print Head Alignment	Auto, Manual(Simple), Manual(Standard)
Media Feed Adjustment	Auto(Standard), Auto(Details), Manual(Standard), Manual(Measurement)
Media Management	

Control Panel Menu

Item	Parameter
01 XXXXXXXXXXXX to 50 XXXXXXXXXXXX	
Change Name	
Media Type	Ultra-Thin 30g/m ² , Thin 50g/m ² , Med-Thick 70g/m ² , Thick 120g/m ²
Pass Mode	300x600dpi -1.1pass, 300x600dpi -1.5pass, 300x600dpi -2.1pass, 300x600dpi -3.1pass, 600x600dpi -2.1pass, 600x600dpi -2.5pass, 600x600dpi -3.1pass, 600x600dpi -4.3pass, 600x1200dpi -5.0pass, 600x1200dpi -5.0pass HD, 1200x1200dpi -9.0pass HD
Advanced Settings	
Dryer	
Heater	On, Off
Temperature	
300x600dpi -1.1pass	50 to 110 °C (122 to 230 °F)
300x600dpi -1.5pass	50 to 110 °C (122 to 230 °F)
300x600dpi -2.1pass	50 to 110 °C (122 to 230 °F)
300x600dpi -3.1pass	50 to 110 °C (122 to 230 °F)
600x600dpi -2.1pass	50 to 110 °C (122 to 230 °F)
600x600dpi -2.5pass	50 to 110 °C (122 to 230 °F)
600x600dpi -3.1pass	50 to 110 °C (122 to 230 °F)
600x600dpi -4.3pass	50 to 110 °C (122 to 230 °F)
600x1200dpi -5.0pass	50 to 110 °C (122 to 230 °F)
600x1200dpi -5.0pass HD	50 to 110 °C (122 to 230 °F)
1200x1200dpi -9.0pass HD	50 to 110 °C (122 to 230 °F)
Fan	Off, Low, High
Drying Action	Auto, Follow Drying Time Setting


Control Panel Menu

Item	Parameter
Drying Time	
300x600dpi -1.1pass	0 to 200 sec
300x600dpi -1.5pass	0 to 200 sec
300x600dpi -2.1pass	0 to 200 sec
300x600dpi -3.1pass	0 to 200 sec
600x600dpi -2.1pass	0 to 200 sec
600x600dpi -2.5pass	0 to 200 sec
600x600dpi -3.1pass	0 to 200 sec
600x600dpi -4.3pass	0 to 200 sec
600x1200dpi -5.0pass	0 to 200 sec
600x1200dpi -5.0pass HD	0 to 200 sec
1200x1200dpi -9.0pass HD	0 to 200 sec
Proceed to Drying after Print	Off, On
Platen Gap	
1.7	
2.0	
2.5	

Control Panel Menu

Item	Parameter
Feeding Tension	Lv1 to Lv4
Paper Suction	Lv0 to Lv10
Media Feed Speed Limitation	On, Off
Pressure Roller Load	Light, Standard
Remove Skew	On, Off
Stick Prevention	On, Off
Rewind Tension	
300x600dpi -1.1pass	Lv1 to Lv9
300x600dpi -1.5pass	Lv1 to Lv9
300x600dpi -2.1pass	Lv1 to Lv9
300x600dpi -3.1pass	Lv1 to Lv9
600x600dpi -2.1pass	Lv1 to Lv9
600x600dpi -2.5pass	Lv1 to Lv9
600x600dpi -3.1pass	Lv1 to Lv9
600x600dpi -4.3pass	Lv1 to Lv9
600x1200dpi -5.0pass	Lv1 to Lv9
600x1200dpi -5.0pass HD	Lv1 to Lv9
1200x1200dpi -9.0pass HD	Lv1 to Lv9
Print Quality Adjustment Limitation Temperature	0 to 50 °C (32 to 122 °F)
Manage Remaining Amount	
Manage Remaining Amount	On, Off
Remaining Amount	1.0 to 9999.0 m (3.3 to 32808.1 ft.)
Remaining Alert	1.0 to 999.5 m (3.3 to 3279.2 ft.)
Print Length Management	
Auto Reset	Off, After Last Page
Manual Reset	

Maintenance

For more information on these items, see  [“Maintenance menu” on page 167](#)

Item	Parameter
Print Head Nozzle Check	

Control Panel Menu

Item	Parameter
Saving Mode	On, Off
Print Position	Right, Center Right, Center Left, Left
Print Head Cleaning	Auto Cleaning, Cleaning(Light), Cleaning(Medium), Cleaning(Heavy), Print Head Refresh
Cleaning the Maintenance Parts	Anti-Drying Caps, Around the Head, Suction Cap, Media Cleaner
Print Head Nozzle Limitation	On, Off
Replace Waste Ink Bottle	
Replace Maintenance Parts	Replace Wiper Roll, Replace Take In Media Holder, Replace Take Up Media Holder

Supply Status

Details on menu [☞ “Supply Status menu” on page 169](#)

Item	Parameter
Ink/Waste Ink Bottle	
Others	

Replacement Part Information

Details on menu [☞ “Replacement Part Information menu” on page 169](#)

Item	Parameter
Ink Supply Pump	
Anti-Drying Caps Drive Assembly	
Cleaning Pump	
Wiper Unit Drive Assembly	
Suction Pump	
Ink Tube	

Printer Status

Details on menu [☞ “Printer Status menu” on page 169](#)

Item	Parameter
Firmware Version	
Printer Name	
Fatal Error Log	

Control Panel Menu

Item	Parameter
Operation Report	Total Print Area, Total Media Feed Length, Total Carriage Pass

Control Panel Menu

Details of the Menu

General Settings menu

* indicates default settings.

Item	Parameter	Explanation
Basic Settings		

Control Panel Menu

Item	Parameter	Explanation
LCD Brightness	1 to 9 (9*)	Adjusts the brightness of the control panel display.
Sound		
Button Press	0 to 3 (1*)	Sets the volume of the sounds when the power button and control panel screen are operated.
Alert	0 to 3 (2*)	Sets the volume of the sounds when hardware, such as the covers and media loading lever, are operated.
Completion Notice	0 to 3 (3*)	Sets the volume of the sounds when print jobs or maintenance operations are finished.
Warning Notice		Sets the volume and the repetitions of sounds when it is time to replace consumables.
Volume	0 to 3 (2*)	
Repeat	Never* Until Stopped	
Error Tone		Sets the volume and the repetitions of sounds when an error occurs while printing and printing cannot continue.
Volume	0 to 3 (3*)	
Repeat	Never Until Stopped*	
Sound Type	Pattern1*	Sets the type of sounds. Sounds that are easy to hear in the printer's operating environment can be set.
	Pattern2	
Sleep Timer	1 to 240 (15*)	<p>The printer enters sleep mode after a specified time during which no print jobs are received, no errors are detected, and the heater is off. In sleep mode, the control panel screen, the internal optical sensors, and inside lights turn off.</p> <p>The screen display recovers when you press on the control panel screen. Sleep mode is canceled and the printer returns to normal when a print job is received, an operation involving printer hardware is done, such as operating the media loading lever.</p> <p>To cancel sleep mode and begin preheating the heater immediately, press Preheat Start on the Home screen.</p>
Date/Time Settings		
Date/Time		Set the printer's built-in clock. The time and date set here are displayed on the Home screen. It is also used for job logs and the printer's status as shown in Epson Edge Dashboard.
Time Difference	-12:45 to +13:45	Set the time difference with coordinated universal time (UTC) in 15 minute increments. In network environments with a time difference, set this as necessary when administrating the printer.

Control Panel Menu

Item	Parameter	Explanation
Language	Japanese	Select the language used in the control panel display.
	English	
	French	
	Italian	
	German	
	Portuguese	
	Spanish	
	Dutch	
	Russian	
	Turkish	
	Korean	
	Simplified Chinese	
Traditional Chinese		
Background Color	Gray	Select the color scheme used in the control panel display. You can set a color scheme that is easy to see in the environment in which the printer is installed.
	Black*	
	White	
Keyboard	QWERTY*	Select the keyboard layout for the text input screen that appears, such as when inputting names to register for media settings.
	AZERTY	
	QWERTZ	
Unit Settings		
Length	m*	Choose the units of length used in the control panel display and when printing test patterns.
	ft/in	
Temperature	°C*	Choose the temperature units used in the control panel display.
	°F	
Printer Settings		

Control Panel Menu

Item	Parameter	Explanation
Margins		
Side(Right)	3 to 25 mm (7 [*]) (0.11 to 0.98 in. [0.27 [*]])	Choose the width of the right margin when media is loaded in the printer. See the following for more information. ☞ "Printable area" on page 97
Side(Left)	3 to 25 mm (7 [*]) (0.11 to 0.98 in. [0.27 [*]])	Choose the width of the left margin when media is loaded in the printer. See the following for more information. ☞ "Printable area" on page 97
Margin Between Pages	0 to 999 mm (10 [*]) (0 to 39.33 in. [0.39 [*]])	Sets the margin between printed pages.
Width Adjustment	-10 to +10 mm (0 [*]) (-0.39 to 0.39 in. [0 [*]])	You can adjust a margin between pages. Even after making adjustments, the size of the margin may change, depending on the media and usage environment. The margin increases when the number is moved in the + direction, and decreases when the number is moved in the - direction. ☞ "Printable area" on page 97
Print Start Position	0 to 1000 mm (0 [*]) (0 to 39.37 in. [0 [*]])	Adjust this parameter if you want to print from the near center of the media or if you want to shift the printed area left from the Side(Right) setting. The value set for the area between the right edge of the media and Print Start Position is left blank. If a value is selected for Side(Right) , an additional area corresponding to the width selected for Side(Right) is left blank. See the following for more information. ☞ "Printable area" on page 97
Skip Wrinkled Media	On [*]	Normally, leave this On .
	Off	When this is On , if jobs do not print continuously, 300 mm (11.81 in.) of media is fed to skip wrinkled parts, and then printing is done.
Job Connection	On	When this is turned On , the next job starts printing without feeding media, drying, or rewinding between continuous print jobs. There are no operations between jobs so printing time is that much shorter.
	Off [*]	



Control Panel Menu

Item	Parameter	Explanation
Information Printing		
	Off*	When this is turned On , a mark and the nozzle check pattern are printed on the end of the media, so it is easier to check print quality.
	On	
Margin Between Images	5 to 999 mm (5*) (0.19 to 39.33 in. [0.11*])	Margin Between Images: Set the interval between images and the marks and check patterns.
Print Position	Next to the Image*	Print Position: Set Next to the Image to print in the position open between the margin between images using the edge of images as a reference. When Media End is set, printing is done in the position using the edge of the media as a reference.
	Media End	
Event Marking		
	Off*	Event Marking: When this is turned On , a mark is printed when an event that affects print quality occurs while printing. This makes it easier to find poor quality areas during and after printing.
	On	
Print Position	Left	The following events cause a mark to be printed. <input type="checkbox"/> Change in state of clogged nozzles: When there is a change in nozzle clog conditions after printing starts <input type="checkbox"/> Head cleaning: When head cleaning is executed manually <input type="checkbox"/> Automatic head cleaning: When automatic head cleaning is executed <input type="checkbox"/> Head striking: When the striking of the media and print head is detected <input type="checkbox"/> Suspension: When printing is suspended <input type="checkbox"/> Start of nozzle compensation
	Right	
	Left and Right	
Nozzle Check Pattern		
Pattern Selection	Do Not Print	<input type="checkbox"/> Head striking: When the striking of the media and print head is detected <input type="checkbox"/> Suspension: When printing is suspended <input type="checkbox"/> Start of nozzle compensation
	Normal*	
	Paper Width Saving	
Print Position	Left*	Set a position, in which marks are easy to check, in Print Position . Nozzle Check Pattern: When pattern selection is Normal or Paper Width Saving , the nozzle check pattern prints continuously during printing. When printing print jobs continuously or when printing a long job, you can immediately understand if nozzles clog while printing. The width of the check pattern is narrower than Normal when Paper Width Saving is set, so the image print area is wider. Set a position, in which check patterns are easy to check, in Print Position . When Ink Density is set to Dark , check patterns are easy to check.
	Right	
	Left and Right	
Ink Density	Standard*	
	Dark	
Media Detection		
Width Detection		
	On*	Select whether the media width is detected (On) or not (Off). Try setting Off when printing if media width errors are displayed even though the media is correctly loaded. Note, however, that the printer may print beyond the edges of the media when Off is selected. Ink used outside the edges of the media will stain the inside of the printer. We recommend this normally be set to On when using the printer. Changed settings are reflected when the media is reloaded.
	Off	
	300.0 to 1950.0 mm (300.0*) (11.81 to 76.77 in. [11.81*])	

Control Panel Menu

Item	Parameter	Explanation
Actions after Media Scuffing	Stop Immediately*	The printer constantly monitors for striking of the media and print head while printing, so set the operation for when striking occurs.
	Stop when Continuously Detected	When Stop Immediately is set, printing stops immediately when striking is detected.
	Ignore	<p>When Stop when Continuously Detected is set, printing stops if striking is detected 3 times within 72 cm (28.35 in.) of fed paper.</p> <p>When Ignore is set, printing does not stop even if striking is detected.</p> <p>When striking is detected, the stopped media wrinkles, so take measures, such as adjusting the temperature of the heater, and clean the area around the print head if needed.</p>
Nozzle Check between Pages		When On is set, a nozzle check pattern is printed periodically at the specified timing. When printing is complete, you can visually inspect the check pattern to determine whether there may be faint or missing colors in the preceding or following printout.
On		
Execution Timing		Execution Timing sets the timing that check patterns are printed.
Print Length	1 to 9999 meters (3.28 to 32805.12 ft.)	Execution during Job selects whether to print (On)/not to print (Off) a check pattern at the set timing during a print job. When Off is set, the images are nested because a check pattern is printed during printing.
Print Page	Each 1 to 9999 pages	When On is set, a check pattern is printed after finishing the print job.
Print Duration	1 to 9999 minutes	Normally, leave this On .
Execution during Job	On	Pattern Type selects the type of check pattern. When Paper Saving is set, media is saved because the length of media needed to print a check pattern is shorter than for Normal .
	Off	
Pattern Type	Paper Saving	
	Normal	
Off*		

Control Panel Menu

Item	Parameter	Explanation
Information Printing at Media Cut		<p>When the media is cut, information, such as the remaining amount of media, is printed before and after the cut position. The information is printed when, in the control panel, you press  and then press Forward.</p> <p>When Paper Remaining Information is set to On, the remaining amount is printed on the unused side of the cut position. The following information is printed. To print the paper remaining information, set Manage Remaining Amount in Media Settings to On.</p> <ul style="list-style-type: none"> <input type="checkbox"/> Model: Model of the printer <input type="checkbox"/> Serial No.: Serial number of the printer <input type="checkbox"/> Print Date: Date and time of printing <input type="checkbox"/> Bank No.: Media number when printing <input type="checkbox"/> Media Type: Media Type registered to the media number when printing <input type="checkbox"/> Media Width: Automatically detected value of media width <input type="checkbox"/> Remaining Amount: Remaining amount of media <p>When Print Information is set to On, the following information is printed on the printed side of the cut position.</p> <ul style="list-style-type: none"> <input type="checkbox"/> Model: Model of the printer <input type="checkbox"/> Serial No.: Serial number of the printer <input type="checkbox"/> F/W Version: Firmware version of the printer <input type="checkbox"/> Print Date: Date and time of printing <input type="checkbox"/> Bank No.: Media setting number when printing <input type="checkbox"/> Media Type: Media Type registered to the media setting number when printing <input type="checkbox"/> Media Width: Automatically detected value of media width <input type="checkbox"/> Print Length: Amount of media used
Paper Remaining Information	On	
	Off*	
Print Information	On	
	Off*	
Heater Off Timer	0 to 30 minutes (0*)	The heater turns off a specified time after printing during which no print jobs are received. It turns back on if a print job is received or if you press Preheat Start in the Home screen.
Inside Light	Auto*	Select whether to turn on/off the light inside the front cover automatically (Auto) or whether to use the panel button as necessary (Manual).
	Manual	In Auto , the light turns on automatically when printing and so on, and turns off when the operation is complete. In Manual , you need to press  on the control panel to turn the light on/off.
Restore Default Settings	Network Settings	Executing Network Settings restores all the detailed settings in network settings to their default setting values.
	Clear All Data and Settings	Executing Clear All Data and Settings restores all settings to their default setting values.
Maintenance Setting		

Control Panel Menu

Item	Parameter	Explanation
Cleaning Setting		<p>The printer constantly monitors the condition of the print head nozzles while printing, so set the operation for when clogged nozzles (missing nozzles) are detected during monitoring.</p> <p>When the number of clogged nozzles that are detected exceeds the number set in Threshold Of Clogged Nozzles, print head cleaning is executed as part of maintenance.</p> <p>Max Retry Cleaning Count sets the number of times maintenance can be retried if the clogged nozzles are not cleared after maintenance is done.</p> <p>When Maintenance Schedule is set to Between Jobs, then maintenance is done after completing the job during which clogged nozzles were detected, but before the next print job starts. With When Detected, printing is stopped when a clogged nozzle is detected, and then maintenance is done. Because cleaning is done while printing, printing may be disturbed or head striking may occur.</p>
Threshold Of Clogged Nozzles	1 to 50 (5*)	
Max Retry Cleaning Count	0*	
	1	
	2	
Maintenance Schedule	Between Jobs*	
	When Detected	
Nozzle Compensation		<p>Normally, leave this On.</p> <p>When On is set, printing is done while normal nozzles compensate for the ink that could not be ejected by clogged nozzles.</p>
	On*	
	Off	
Periodic Cleaning		<p>When On is set, cleaning is done at the interval set for one of Print Duration, Print Page, or Print Length.</p>
On		
Print Duration	1 to 9999 minutes	
Print Page	Each 1 to 9999 pages	
Print Length	1 to 9999 meters (3.28 to 32805.12 ft.)	
Off*		
Actions Beyond the Threshold of Missing Nozzles	Stop Printing	<p>Set the action when the number of clogged nozzles that are detected exceeds the number set in Threshold Of Clogged Nozzles.</p> <p>When Stop Printing is set, the message Auto Nozzle Maintenance found that the allowable number of clogged nozzles has been exceeded. The print quality may decline. appears on the control panel screen, printing stops, and the printer idles.</p>
	Show Alert*	<p>When Show Alert is set, printing continues without stopping while the message remains displayed.</p>
	Auto Cleaning	<p>When Auto Cleaning is set, the print head is cleaned at the timing set in Maintenance Schedule.</p>
Maintenance Cleaning	On*	<p>When On is set, the print head is cleaned automatically when the printer is not used for a specified period. This cleaning ejects sedimented ink in the ink tubes to prevent print quality from falling.</p>
	Off	
Network Settings		
Network Status	Wired LAN Status	<p>You can check batches of a variety of information in network settings that are set in Advanced.</p>
	Print Status Sheet	<p>When Print Status Sheet is selected, a list is printed.</p>

Control Panel Menu

Item	Parameter	Explanation
Advanced		Do a variety of network settings.
Device Name		
TCP/IP		
Proxy Server		
IPv6 Address	Enable*	
	Disable	
Link Speed & Duplex	Auto*	
	10BASE-T Half Duplex	
	10BASE-T Full Duplex	
	100BASE-TX Half Duplex	
	100BASE-TX Full Duplex	
	1000BASE-T Full Duplex	
Redirect HTTP to HTTPS	Enable*	
	Disable	
Disable IPsec/IP Filtering		
Disable IEEE802.1X		

Media Settings menu

* indicates default settings.

Item	Parameter	Explanation
Current Settings		

Control Panel Menu

Item	Parameter	Explanation
Media	01 XXXXXXXXXXXX to 50 XXXXXXXXXXXX	Choose the media settings to use. The registered name appears in XXXXXXXXXXXX.
Media Type		Displays the Media Type for the media settings that are currently selected.
Media Width		Set Width Detection , and when that setting is Off, Media Width .
Pass Mode		Set the Pass Mode for the media settings that are currently selected.
Advanced Settings		Set the content of Advanced Settings for the media settings that are currently selected. See the following table for details on the setting content. ☞ "Media Setting Item" on page 162
Print Adjustments		Set these in the following cases.
Automatic Adjustment		<input type="checkbox"/> Using new media not registered to the printer
Print Head Alignment	Auto	<input type="checkbox"/> When banding or graininess is found in the print results even after Automatic Adjustment is performed
	Manual(Simple)	<input type="checkbox"/> When changing Advanced Settings after saving media settings
	Manual(Standard)	<input type="checkbox"/> When the media type is the same but the width is different
Media Feed Adjustment	Auto(Standard)	Normally, do Automatic Adjustment first. If banding or graininess is still found in the print results after doing automatic adjustment, do Print Head Alignment and Media Feed Adjustment manually. ☞ "Media Setting Item" on page 162
	Auto(Details)	
	Manual(Standard)	
	Manual(Measurement)	
Media Management		
	01 XXXXXXXXXXXX to 50 XXXXXXXXXXXX	Change the registered media settings. New registrations are normally done when loading media or in advance on the provided Epson Edge Dashboard. ☞ "Media Setting Item" on page 162
Manage Remaining Amount		
Manage Remaining Amount	On	Select On and set the length of the media when loading media, and you can manage remaining amounts as shown below.
	Off*	<input type="checkbox"/> The remaining amount of media and the time until you need to replace the media are shown in the Home screen. <input type="checkbox"/> Displays a warning message for the remaining amount of media. <input type="checkbox"/> Print the remaining amount when media is cut.
Remaining Amount	1.0 to 9999.0 m (120.0 m*) (3.3 to 32808.1 ft. [393.7*])	Enter a value for overall roll length between 1.0 and 9999.0 m (3.3 and 32808.1 ft.). You can set in 0.1-m (0.1-ft) increments.
Remaining Alert	1.0 to 999.5 m (5.0 m*) (3.3 to 3279.2 ft. [16.4*])	A warning message is displayed if the amount of media remaining reaches this length. Choose a value between 1.0 and 999.5 m (3.3 and 3279.2 ft.). You can set in 0.1-m (0.1-ft) increments.

Control Panel Menu


Item	Parameter	Explanation
Print Length Management		
Auto Reset	Off*	Select either Off (do not automatically reset the value for print length) or After Last Page (reset when starting to print the next job).
	After Last Page	When Off is selected, the value does not reset until you do Manual Reset . However, once the value reaches 9999, it automatically resets and returns to 0. When After Last Page is selected, the value returns to 0 when printing starts for the next job so you can check the print length per job. You can also check how far along the print job is while printing.
Manual Reset		When reset is done, the value for print length returns to 0.

Media Setting Item

When loading media, select Media Type or register the media settings on the printer using the supplied Epson Edge Dashboard, to set the optimal media setting values. Normally, use this as it is. When using specific media or when a problem such as head striking or banding is detected in printing results, change the settings.

The default settings for each of the following items differ depending on the content set in **Media Type**. See the following for details on the default settings for each Media Type.

 [“Media Settings List for Each Media Type” on page 206](#)

Item	Parameter	Explanation
Change Name		Assign a name of up to 20 characters to the media settings being saved. Using distinctive names makes them easier to differentiate when you select them.
Media Type	Ultra-Thin 30g/m ²	Select Media Type according to the loaded media using media thickness (weight) as a guideline.
	Thin 50g/m ²	The guidelines for the paper weight (g/m ²) of each Media Type are as follows. The paper weights of each Media Type shown in the screen are typical values. Ultra-Thin: 39 or less Thin: 40 to 56 Med-Thick: 57 to 89 Thick: 90 or more The printer stores the optimum media settings according to the Media Type. When the Media Type is changed, each setting for media registered to the current media setting number changes to the value for the Media Type after changing.  “Media Settings List for Each Media Type” on page 206
	Med-Thick 70g/m ²	
	Thick 120g/m ²	

Control Panel Menu

Item	Parameter	Explanation
Pass Mode	300x600dpi -1.1pass	Pass Mode allows you to register the setting values, for each number of passes, of 3 items, Temperature, Drying Time, and Rewind Tension in the Advanced Settings . By changing Pass Mode, you can do a batch change of the Temperature, Drying Time, and Rewind Tension, which is useful when changing the settings according to the number of passes set for a print job.
	300x600dpi -1.5pass	
	300x600dpi -2.1pass	
	300x600dpi -3.1pass	
	600x600dpi -2.1pass	
	600x600dpi -2.5pass	
	600x600dpi -3.1pass	
	600x600dpi -4.3pass	
	600x1200dpi -5.0pass	
	600x1200dpi -5.0pass HD	
	1200x1200dpi -9.0pass HD	
	Advanced Settings	

Control Panel Menu

Item	Parameter	Explanation
Dryer		
Heater	On	Select whether to use (On)/not use (Off) the heater to dry media after printing.
	Off	
Temperature		Set the heater's temperature. You can set it for each number of passes.
300x600dpi -1.1pass	50 to 110 °C (122 to 230 °F)	
300x600dpi -1.5pass	50 to 110 °C (122 to 230 °F)	
300x600dpi -2.1pass	50 to 110 °C (122 to 230 °F)	
300x600dpi -3.1pass	50 to 110 °C (122 to 230 °F)	
600x600dpi -2.1pass	50 to 110 °C (122 to 230 °F)	
600x600dpi -2.5pass	50 to 110 °C (122 to 230 °F)	
600x600dpi -3.1pass	50 to 110 °C (122 to 230 °F)	
600x600dpi -4.3pass	50 to 110 °C (122 to 230 °F)	
600x1200dpi -5.0pass	50 to 110 °C (122 to 230 °F)	
600x1200dpi -5.0pass HD	50 to 110 °C (122 to 230 °F)	
1200x1200dpi -9.0pass HD	50 to 110 °C (122 to 230 °F)	

Control Panel Menu

Item	Parameter	Explanation
Fan	Off	Set the heater to Off , and by setting the Fan to Low or High so media is dried after printing by only the fan operating at the set level. Use this if the media could be damaged by the heater during drying.
	Low	
	High	
Drying Action	Auto	The printing and media feeding time operations are adjusted automatically or according to the set drying time.
	Follow Drying Time Setting	
Drying Time		<p>Set the length of time to pass through the dryer. The media passes through the heater's range (600 mm [23.62 ft.]) in the dryer for the set time. You can set it for each number of passes.</p> <p>The time needed for the ink to dry varies with ink density and the media used. If, in the print results, the ink blurs or runs on the media, set a longer Drying Time.</p> <p>Increasing the drying time increases the time needed to print.</p>
300x600dpi -1.1pass	0 to 200 sec	
300x600dpi -1.5pass	0 to 200 sec	
300x600dpi -2.1pass	0 to 200 sec	
300x600dpi -3.1pass	0 to 200 sec	
600x600dpi -2.1pass	0 to 200 sec	
600x600dpi -2.5pass	0 to 200 sec	
600x600dpi -3.1pass	0 to 200 sec	
600x600dpi -4.3pass	0 to 200 sec	
600x1200dpi -5.0pass	0 to 200 sec	
600x1200dpi -5.0pass HD	0 to 200 sec	
1200x1200dpi -9.0pass HD	0 to 200 sec	
Proceed to Drying after Print	Off	
	On	
Platen Gap		<p>Set the Platen Gap (the distance between the print head and the media).</p> <p>The default setting of 2.0 is recommended in most situations. If the print results are scratched or smudged, they may be improved by setting 2.5. However, choosing a larger gap than required may result in ink stains inside the printer, reduced print quality, or shorter product life.</p>
1.7		
2.0		
2.5		


Control Panel Menu

Item	Parameter	Explanation
Feeding Tension	Lv1 to Lv4	Normally, use the default setting values. Increase tension if creases appear in the media during printing. The higher the value, the greater the tension.
Paper Suction	Lv0 to Lv10	Set the strength of the suction by the platen on the media. The higher the value, the greater the suction. Normally, use the default setting values. If the media is wavy on the platen, increase the set value. If graininess or out-of-focus characteristics are detected in printing results obtained using thin or soft media or if the media is not fed normally, reduce the set value.
Media Feed Speed Limitation	On	Normally, leave this Off .
	Off	Set this to On if media sticks or wrinkles, or tears easily. When this is set to On , the media feeding speed slows down.
Pressure Roller Load	Light	Normally, leave this Standard . If the following occurs when printing, you may be able to eliminate the problem by changing the Pressure Roller Load to Light . <input type="checkbox"/> Wrinkling around the pressure rollers. <input type="checkbox"/> Staining due to the media striking the print head. <input type="checkbox"/> Rollers leaving marks on the media.
	Standard	
Remove Skew	On	Select whether the printer does (On)/does not (Off) correct media skew (media fed skewed) when media is loaded. Normally, leave this On . Set this to Off if the media shows traces from the rollers due to skew corrections.
	Off	
Stick Prevention	On	Select whether to do non-stick operations (On) or not (Off) when the printer is turned on, or when printing begins, etc.
	Off	Normally, use the default setting values. Depending on the type of media, such as ultra-thin media, some may stick more easily to the platen. Starting operations with media stuck to the platen may cause the media to not feed correctly and result in a paper jam. Set On if this happens. The time for operations takes longer when On is set.

Control Panel Menu

Item	Parameter	Explanation
Rewind Tension		Normally, use the default setting values. The higher the value, the greater the tension.
300x600dpi -1.1pass	Lv1 to Lv9	If creases appear in the media while printing, we recommend setting a smaller value. Do the same settings if ink adheres to the back of the media that is being rewound. If thick media cannot be rewound correctly, we recommend setting a larger value.
300x600dpi -1.5pass	Lv1 to Lv9	
300x600dpi -2.1pass	Lv1 to Lv9	
300x600dpi -3.1pass	Lv1 to Lv9	
600x600dpi -2.1pass	Lv1 to Lv9	
600x600dpi -2.5pass	Lv1 to Lv9	
600x600dpi -3.1pass	Lv1 to Lv9	
600x600dpi -4.3pass	Lv1 to Lv9	
600x1200dpi -5.0pass	Lv1 to Lv9	
600x1200dpi -5.0pass HD	Lv1 to Lv9	
1200x1200dpi -9.0pass HD	Lv1 to Lv9	
Print Quality Adjustment Limitation Temperature	0 to 50 °C (32 to 122 °F)	

Maintenance menu

The Maintenance menu can be accessed directly by pressing .

* indicates default settings.

Control Panel Menu

Item	Parameter	Explanation
Print Head Nozzle Check		Print a check pattern to check for clogged nozzles in the print head. Inspect the pattern visually and perform head cleaning if you detect faint or missing colors.
Saving Mode	On	Setting Saving Mode to On shortens the printed length of the check pattern, which reduces the amount of media that is used. Select a position to print the check pattern in Print Position . You can reduce the amount of media that is used because you can print the patterns in line in the margin in which the first pattern is printed.
	Off*	
Print Position	Right*	The Print Position displays only the setting values that can be set according to the settings below for the width of the loaded media. <input type="checkbox"/> Width Detection <input type="checkbox"/> Side(Right) <input type="checkbox"/> Side(Left) <input type="checkbox"/> Print Start Position ☞ "Printing nozzle check patterns" on page 137
	Center Right	
	Center Left	
	Left	
Print Head Cleaning	Auto Cleaning	Execute Print Head Cleaning. Perform Auto Cleaning first. If the clogs are not cleared by doing it, then do in the order of Cleaning(Light), Cleaning(Medium), and Cleaning(Heavy) until the clogs are cleared.
	Cleaning(Light)	
	Cleaning(Medium)	Execute Print Head Refresh if there are multiple large clogs, even though you executed Cleaning(Heavy). When you execute Print Head Refresh, the suction caps need to be cleaned, because of this, the cleaning operation takes a long time, so execute it if you have the problem described above. ☞ "Print Head Cleaning" on page 138
	Cleaning(Heavy)	
	Print Head Refresh	
Cleaning the Maintenance Parts	Anti-Drying Caps	Start cleaning the selected parts. Follow the on-screen instructions to clean them. ☞ "Cleaning anti-drying caps" on page 112 ☞ "Cleaning Around the Print Head" on page 116 ☞ "Cleaning suction caps" on page 115 ☞ "Cleaning the media cleaners" on page 111
	Around the Head	
	Suction Cap	
	Media Cleaner	
Print Head Nozzle Limitation	On	Set the print heads to use for printing.
	Off*	For example, if there is a clogged nozzle in one print head and the clog cannot be cleared after repeated head cleaning, you can continue printing using the unclogged print head. Use this when you want to solve the problem without interrupting the printing work. <input type="checkbox"/> When maintenance that takes time, such as Print Head Refresh , needs to be done, do that maintenance after finishing work. <input type="checkbox"/> When the print head needs to be replaced, continue work until it is replaced. Confirm the check pattern printed by Print Head Nozzle Check , and then select the print head that is not clogged. Using the Print Head Nozzle Limitation function increases the print time. This could also reduce print quality. We recommend using it only during the time until the clogged nozzles can be cleared.
Replace Waste Ink Bottle		If you are replacing the waste ink bottle before the message indicating that it is time to replace the waste ink bottle appears on the control panel's screen, do so from this menu.

Control Panel Menu

Item	Parameter	Explanation
Replace Maintenance Parts	Replace Wiper Roll	Start replacing the selected parts. Follow the on-screen instructions to replace them. 🔗 "Replace the wiper roll" on page 125 🔗 "Replacing the media holder" on page 128
	Replace Take In Media Holder	
	Replace Take Up Media Holder	

Supply Status menu

Item	Parameter	Explanation
Ink/Waste Ink Bottle		Shows the replacement timing, remaining amount and part number of the selected consumables.
Others		

Replacement Part Information menu

Item	Parameter	Explanation
Ink Supply Pump		Displays the replacement timing for the selected replacement part. To replace it, contact your dealer or Epson Support.
Anti-Drying Caps Drive Assembly		
Cleaning Pump		
Wiper Unit Drive Assembly		
Suction Pump		
Ink Tube		

Printer Status menu

Item	Parameter	Explanation
Firmware Version		Shows and prints the selected information. The Printer Name is the name set in Epson Edge Dashboard.
Printer Name		
Fatal Error Log		
Operation Report	Total Print Area	
	Total Media Feed Length	
	Total Carriage Pass	

Problem Solver

When a Message is Displayed

If one of the following messages is displayed, read and follow the instructions below.

Messages	What to do
The waste ink bottle is nearing the end of its service life. Prepare a new one. You can continue printing until replacement is required.	The Waste Ink Bottle is getting full. Ready a new Waste Ink Bottle. ☞ "Options and Consumable Products" on page 179
Ink cartridge is not recognized. Please replace the cartridge.	Remove and reinsert the ink cartridge. If the message persists, insert a new ink cartridge (do not reinsert the ink cartridge that caused the error).
Ink is low You can continue printing until replacement is required.	The ink is low. Confirm that a new ink cartridge is installed so the ink cartridges can be automatically switched when the remaining amount falls below the threshold. ☞ "Options and Consumable Products" on page 179
The heater is warming up.	One or more heaters is still being warmed to the specified temperature. To start printing while the heater temperature is low, press Start to display a confirmation screen, and then press OK to start.
The media and print head are contacting. Check whether the print results are clean. Printing can continue.	If you check the print results and they are dirty, stop printing and clean around the print head. ☞ "Cleaning Around the Print Head" on page 116 At the same time, refer to "Troubleshooting & Tips" in the <i>Online Manual</i> to take measures so striking does not reoccur.
The XXXXX is nearing the end of its service life.	The replacement interval is approaching for the parts that are shown. Prepare new parts.
The media is not attached to the roll core on the auto take-up reel unit. Attach the media.	Media is not correctly attached to the Auto Take-up Reel Unit. If this happens while printing, press Pause to stop printing. Turn the Auto switch on the Auto Take-up Reel Unit to Off temporarily, return it to the original settings, and then correctly install the media to the Auto Take-up Reel Unit. ☞ "Using the Auto Take-up Reel Unit" on page 77
The roll core is spinning. Remove the media from the media holder, and then reload the media.	Media is not correctly attached to the Media Feeding Unit. Remove the media, and then correctly attach the media to the Media Feeding Unit. ☞ "Loading media" on page 70
The inside of the printer is hot. Lower room temperature.	Lower the temperature of the room until it is within the temperature range described in the "Specifications Table". ☞ "Specifications Table" on page 214
The media is low.	The remaining amount of loaded media is running low. Prepare new media.

Problem Solver

Messages	What to do
The media is not loaded correctly. Raise the media loading lever and remove the media. Then reload the media.	Media was not correctly loaded when it was loaded. Refer to the following, and load the media correctly. 🔗 "Loading media" on page 70
There is a problem with the media or the print results; auto adjust cannot be done. Adjust manually. The scanning device may be malfunctioning. Contact Epson Support. Manual adjustment is possible.	Pressing OK cancels the error. When doing Auto execution of Print Adjustments, execution is not possible for the following media, settings, and environment. <ul style="list-style-type: none"><input type="checkbox"/> Media with an uneven surface<input type="checkbox"/> Media that bleeds-through easily<input type="checkbox"/> The printer is used in a place that is exposed to direct sunlight or interference from other ambient light sources. In these cases, execute the manual menu. 🔗 "Print Adjustments" on page 93 If the printer is exposed to interference from ambient light sources, shade the printer from these sources and perform the function again; it may succeed. When the function has failed after shading the printer, execute the manual menu. If the above items do not apply, and the same error occurs again, contact your local dealer or Epson service call center.
[XXXXX] is different from the winding direction of the loaded roll media. Set it to match the winding direction of the loaded roll media.	Shows the winding specifications that were set in XXXXX when loading media. Does the Roll Winding Direction set when loading media match the actual winding specifications? Raise the media loading lever to resolve the error. Lower the media loading lever again, and follow the on-screen instructions of the printer to reset the Roll Winding Direction correctly.
Cleaning the Anti-Drying Caps.	The anti-drying caps are dirty and need to be cleaned. Follow the on-screen instructions to check and clean the caps that need cleaning. 🔗 "Cleaning anti-drying caps" on page 112
Failed to inspect the condition of nozzles. Cannot run "Auto Cleaning". Select cleaning strength manually and run Print Head Cleaning.	The printer has exceeded the temperature at which printer operations are guaranteed. Adjust the temperature of the room, to start using the printer again. 🔗 "Specifications Table" on page 214

When an Error Message is Displayed

Error messages	What to do
Parts Service Life Ending XXXXXXXX One of the parts in the printer is nearing the end of its service life. Note the code and call for service. End Of Parts Service Life XXXXXXXX Note the code and call for service.	This message notifies you that it is time to replace replacement parts on the printer. Contact your dealer or Epson Support and tell them the maintenance request code.

Problem Solver

Error messages	What to do
<p>Printer error. For details, see your documentation. XXXXXXXX</p> <p>Printer error. Turn the power off and on again. If the problem persists, contact Epson Support. XXXXXXXX</p>	<p>Error messages that are displayed for the following.</p> <ul style="list-style-type: none"> <input type="checkbox"/> The power cable is not connected securely <input type="checkbox"/> An error that cannot be cleared occurs <p>When a printer error occurs, the printer automatically stops printing. Turn off the printer, disconnect the power cable from the outlet and from the AC inlet on the printer, and then reconnect. Turn on the printer again multiple times.</p> <p>If the same call for service is displayed on the LCD panel, contact your dealer or EpsonSupport for assistance. Tell them the call for service code is "XXXXXXXX".</p>

Problem Solver

Troubleshooting

You cannot print (because the printer does not work)

The printer does not turn on.

- **Is the power cable plugged into the electrical outlet or the printer?**

Make sure the power cable is securely plugged into the printer.

- **Is there any problem with the electrical outlet?**

Make sure your outlet works by connecting the power cable for another electric product.

- **Is the circuit breaker OFF?**

Check the breaker switch of the circuit breaker, if it is OFF, turn it ON, and try turning on the power. If it immediately turns OFF, unplug the power cord and contact your local dealer or Epson service call center.

The printer is not communicating with the computer.

- **Is the cable plugged in properly?**

Make sure the printer's interface cable is securely plugged into the correct terminal of the computer and the printer. Also, make sure the cable is not broken nor bent. If you have a spare cable, try connecting with the spare cable.

- **Does the interface cable specification match the specifications for the computer?**

Make sure the interface cable specifications match the specifications for the printer and the computer.

 ["Specifications Table" on page 214](#)

- **When using a USB hub, is it being used correctly?**

In the USB specification, daisy-chains of up to five USB hubs are possible. However, we recommend that you connect the printer to the first hub connected directly to the computer. Depending on the hub you are using, the operation of the printer may become unstable. If this should occur, plug the USB cable directly into your computer's USB port.

- **Is the USB hub recognized correctly?**

Make sure the USB hub is recognized correctly on the computer. If it has, disconnect the USB hub from the computer and connect the computer directly to the printer. Ask the USB hub manufacturer about USB hub operation.

You cannot print under the network environment.

- **Are the network settings correct?**

Ask your network administrator for the network settings.

- **Connect the printer directly to the computer using a USB cable, and then try to print.**

If you can print via USB, there are some problems on the network environment. Ask your system administrator, or refer to the manual for your network system. If you cannot print via USB, see the appropriate section in this User's Guide.

The printer has an error.

- **Confirm if errors have occurred in the printer by checking the lights and messages on the printer's control panel.**

 ["Control panel" on page 20](#)


 ["When a Message is Displayed" on page 170](#)

Problem Solver

The printer sounds like it is printing, but nothing prints

The print head moves, but nothing prints.

■ Confirm the printer operation.

Print a test pattern. Test patterns can be printed without connecting the printer to a computer and hence can be used to check printer function and status.  ["Printing nozzle check patterns" on page 137](#)

Refer to the following section for information on what to do if the pattern does not print correctly.

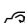
Test pattern does not print correctly.

■ Perform head cleaning.

The nozzles may be clogged. Print a test pattern again after performing head cleaning.

 ["Print Head Cleaning" on page 138](#)

■ Has the printer been left unused for a long time?

If the printer has not been used for a long time, the nozzles may have dried up and have been clogged. Steps to take when the printer has not been used for a long time  ["Notes when not using the printer" on page 34](#)

The prints are not what you expected

Print quality is poor, uneven, too light, too dark, obvious graininess, or the tone differs.

■ Are the print head nozzles clogged?

If the nozzles are clogged, specific nozzles do not fire ink and the print quality declines. Try printing a test pattern.

 ["Printing nozzle check patterns" on page 137](#)

■ Perform Print Adjustments.

There is a slight gap between the print head and the media, so the landing sites for the different colors of ink may be displaced by the following causes.

- Difference in the direction the print head is moving (right to left or left to right)
- Temperature and humidity
- Inertial force of movement of the print head

Displacement of the landing sites of the ink may cause the print results to show obvious graininess or to appear out-of-focus.

Also, large discrepancies in the feed amount cause banding (horizontal banding, tint unevenness, or stripes).

You can adjust discrepancies in ink landing sites and the amount of media that is fed by doing Print Adjustments. In Media Settings, do **Print Adjustments - Automatic Adjustment**, to do adjustments for the media you are using.

 ["Print Adjustments" on page 93](#)

■ Are you using a genuine Epson ink cartridge?

This printer is developed for use with Epson ink cartridges. If you use non-Epson ink cartridges, printouts may be faint, or the color of the printed image may be changed because the remaining ink level is not correctly detected. Be sure to use the correct ink cartridge.

■ Are you using an old ink cartridge?

The print quality declines when an old ink cartridge is used. Replace the old ink cartridge with a new one. Use all the ink in the cartridge before the date printed on the package or within six months of opening it, whichever is sooner.

■ Are the heaters at the correct temperature?

Raise the temperature if the print results are blurred or smudged or the ink clots. Note, however, that raising the temperature too high can cause the media to shrink, wrinkle, or deteriorate.

In addition, the heaters may require some time to reach the desired temperature if the ambient temperature is low. The heaters may also not have the desired effect after reaching the selected temperature if the media is too cold. Allow the media to warm to room temperature before use.

Problem Solver

■ Are media settings correct?

Confirm that the media settings in the software RIP or on the printer match the media actually in use.

■ Have you compared the printing result with the image on the display monitor?

Since monitors and printers produce colors differently, printed colors will not always match on-screen colors perfectly.

■ Was a printer cover opened during printing?

Opening covers during printing causes the print head to stop abruptly, resulting in uneven colors. Do not open the covers while printing is in progress.

■ Is Ink is low. displayed on the control panel's screen?

The print quality may decline when the ink is low. We recommend replacing the ink cartridge with a new one. If there is a difference in color after replacing the ink cartridge, try performing head cleaning a few times.

■ Shake the ink cartridges.

The ink may have sedimented (components settling to the bottom of the liquid). Remove the ink cartridges and shake them.

 ["Periodic shaking of ink cartridges" on page 133](#)

The print is not positioned properly on the media.

■ Is the media loaded correctly and are the margins correct?

If the media is not loaded correctly, the results may be off center or part of the data may not be printed. You should also check whether the correct options are selected for **Side Margin** and **Print Start Position** in the setup menu.

 ["Loading media" on page 70](#)

 ["General Settings menu" on page 152](#)

■ Is the media skewed?

If the media is not loaded correctly, the media may skew and the print position may be displaced. Be careful of the following, and load the media correctly.

- When pulling out the media, hold the center of the media in one hand, and pull it straight out.
- When you attach the end of the media to the roll core, pull the center section of the media straight down as you affix it.

 ["Loading media" on page 70](#)

 ["Using the Auto Take-up Reel Unit" on page 77](#)

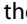
■ Is the media wide enough for the print data?

Although printing normally stops if the print image is wider than the media, data will be printed beyond the edges of the media if **Off** is selected for **Width Detection** in the setup menu. Choose **On** for **Width Detection** in the setup menu.

 ["General Settings menu" on page 152](#)

Vertical ruled lines are misaligned.

■ Is the media wavy?

Certain types of media may develop waves under some conditions (humidity and temperature) while installed in the printer. If a wave has developed, press the  button in the control panel to feed the media and avoid the affected area. We recommend that you lower the temperature and humidity to prevent waves developing.

■ Is the print head misaligned?

If the print head is misaligned, ruled lines may be misaligned accordingly. When vertical ruled lines are misaligned, select **Print Adjustments - Print Head Alignment** in the media settings to adjust print head misalignment that occurs during printing.

 ["Print Head Alignment" on page 93](#)

Problem Solver

Printout is dirty

■ **Are the print heads dirty?**

If the print heads are dirty, dirt may stick to the printout during printing. Check for dirt stuck to the print heads and clean them, if necessary.

👉 ["Cleaning Around the Print Head" on page 116](#)

If there is still dirt after cleaning, the heads may be scuffing. Refer to "Troubleshooting & Tips" in the *Online Manual* to take measures so scuffing does not occur.

Setting **Actions after Media Scuffing** makes it easy to detect when scuffing occurs, so you can take measures immediately.

👉 ["General Settings menu" on page 152](#)

Media

Media Jams.

■ **Is media curled, folded, curved, creased, or waved?**

Cut and remove the curled, folded, curved, creased, or waved part.

👉 ["Cutting Media" on page 88](#)

■ **Is media loaded just before printing?**

The pressure rollers may crease media left in the printer, or the media may also become wavy or curled.

■ **Is the media too thick or too thin?**

Check the media specifications to determine whether it can be used in the printer.

👉 ["Supported Media" on page 185](#)

For information on how to configure print settings using the software RIP, contact the RIP manufacturer.

■ **Is Paper Suction set too high?**

In the media settings, reduce Paper Suction (the force that sucks media down the media path).

👉 ["Media Setting Item" on page 162](#)

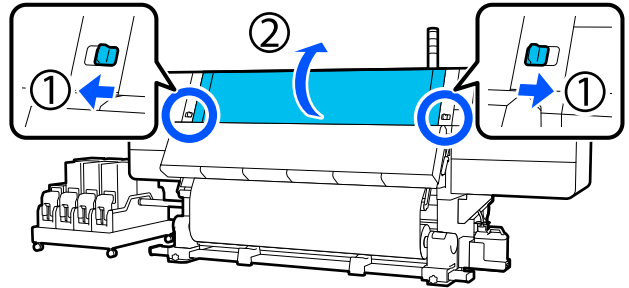
Removing Jammed Media.

Follow the steps below to remove jammed media.

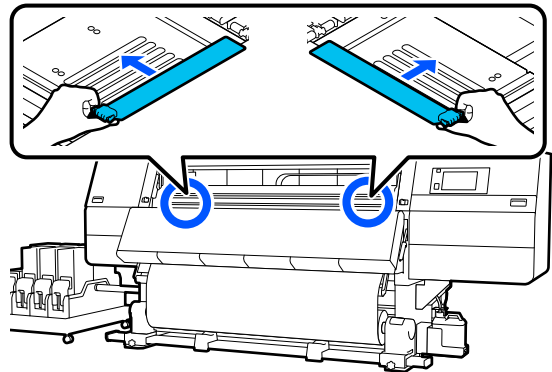
⚠ Caution:

Be careful not to trap your hands or fingers when opening or closing the front cover. Failure to observe these precautions could result in injury.

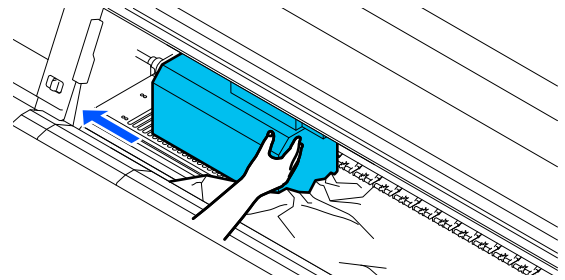
1 Move the lock levers on the left and right sides outwards to open the front cover.



2 While holding the tabs of the media edge plate on both sides, move the plate out of the way toward both edges of the platen.



3 If the print head is over the media, move it away from the jam.

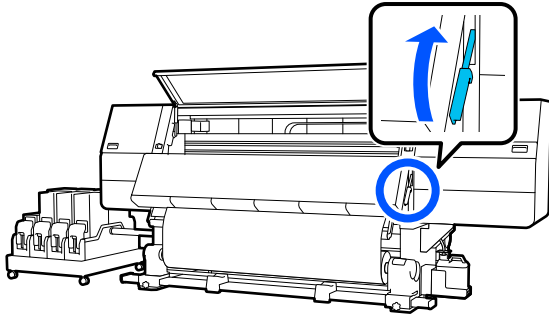


Problem Solver

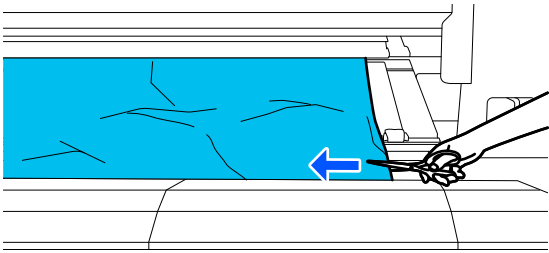
! Important:

Move the print head only after moving the media edge plates out of the way. Contact with deformed media edge plates could damage the print head.

- 4** Raise the media loading lever.

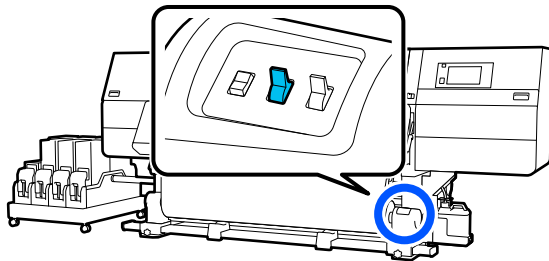


- 5** Use scissors, at the platen, to cut away the torn or wrinkled parts.

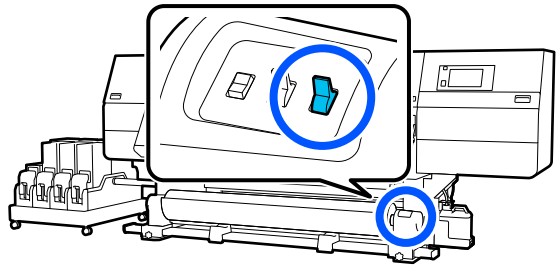


If there are torn or wrinkled parts deep inside the platen, pull out the media and then cut them away.

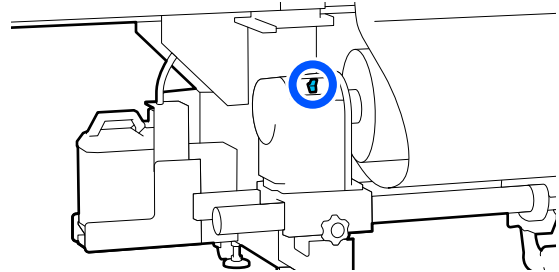
- 6** Turn Off the Auto switch of the Auto Take-up Reel Unit.



- 7** Take up the cut media completely by operating the Manual switch according to how the media is rolled.

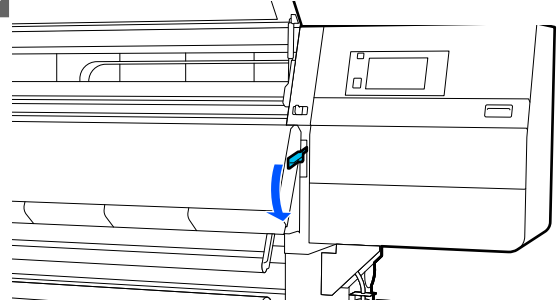


- 8** Move to the back side, and take up the media by operating the drive switch according to how the media is rolled.

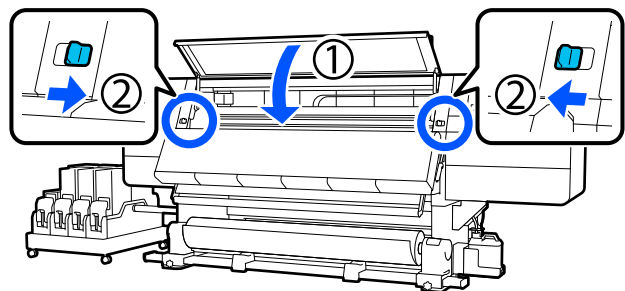


- 9** Move to the front side, check the platen, and if any cut ends of the media, etc., are remaining, remove them.

- 10** Lower the media loading lever.



- 11** Close the front cover, and then move the left and right lock levers inward.



After that, follow the on-screen instructions to check the print head, and if it is dirty, clean it.

 [“Cleaning Around the Print Head” on page 116](#)

Others

Heater automatically turns off

- The heater turns off if no print job is received and no errors occur in the printer for a certain time. The time until the heaters automatically switch to Off can be changed in **Heater Off Timer** in the setup menu.

 [“General Settings menu” on page 152](#)

The heater restarts when a print job is received or **Preheat Start** is pressed.

The control panel display keeps turning off.

- **Is the printer in sleep mode?**

When no operations are performed on the printer for the time set in **Sleep Timer** in the setup menu, the printer enters sleep mode. The time before entering sleep mode can be changed in the General Settings menu.

 [“General Settings menu” on page 152](#)

Sleep mode is canceled when a print job is received, the media loading lever is used, or another operation involving printer hardware is performed.

Forgotten password for network setup protection

- **Contact your dealer or Epson Support.**

The red light is on inside the printer.

- **This is not a failure.**

The red light is a light inside the printer.

Appendix

Appendix

For the latest information, see the Epson Web site. (as of February, 2021)

Options and Consumable Products

Ink cartridges

Printer model	Product		Part number
SC-F10000H SC-F10060H	Ink cartridges (10000 ml)	High Density Black	T43H1
		Cyan	T43H2
		Magenta	T43H3
		Yellow	T43H4
		Light Cyan	T43H5
		Light Magenta	T43H6
		Fluorescent Yellow	T43H7
		Fluorescent Pink	T43H8
	Ink cartridges (3000 ml)	High Density Black	T43B1
		Cyan	T43B2
		Magenta	T43B3
		Yellow	T43B4
		Light Cyan	T43B5
		Light Magenta	T43B6
		Fluorescent Yellow	T43B7
		Fluorescent Pink	T43B8

Appendix

Printer model	Product		Part number
SC-F10030H	Ink cartridges (10000 ml)	High Density Black	T43G1
		Cyan	T43G2
		Magenta	T43G3
		Yellow	T43G4
		Light Cyan	T43G5
		Light Magenta	T43G6
		Fluorescent Yellow	T43G7
		Fluorescent Pink	T43G8
	Ink cartridges (3000 ml)	High Density Black	T43A1
		Cyan	T43A2
		Magenta	T43A3
		Yellow	T43A4
		Light Cyan	T43A5
		Light Magenta	T43A6
		Fluorescent Yellow	T43A7
		Fluorescent Pink	T43A8

Appendix

Printer model	Product		Part number
SC-F10070H	Ink cartridges (10000 ml)*	High Density Black	T43M1
		Cyan	T43M2
		Magenta	T43M3
		Yellow	T43M4
		Light Cyan	T43M5
		Light Magenta	T43M6
		Fluorescent Yellow	T43M7
		Fluorescent Pink	T43M8
	Ink cartridges (3000 ml)	High Density Black	T43F1
		Cyan	T43F2
		Magenta	T43F3
		Yellow	T43F4
		Light Cyan	T43F5
		Light Magenta	T43F6
		Fluorescent Yellow	T43F7
		Fluorescent Pink	T43F8

Appendix

Printer model	Product		Part number
SC-F10080H	Ink cartridges (10000 ml)	High Density Black	T43K1
		Cyan	T43K2
		Magenta	T43K3
		Yellow	T43K4
		Light Cyan	T43K5
		Light Magenta	T43K6
		Fluorescent Yellow	T43K7
		Fluorescent Pink	T43K8
	Ink cartridges (3000 ml)	High Density Black	T43D1
		Cyan	T43D2
		Magenta	T43D3
		Yellow	T43D4
		Light Cyan	T43D5
		Light Magenta	T43D6
		Fluorescent Yellow	T43D7
		Fluorescent Pink	T43D8
SC-F10000 SC-F10060	Ink cartridges (10000 ml)	High Density Black	T43H1
		Cyan	T43H2
		Magenta	T43H3
		Yellow	T43H4
	Ink cartridges (3000 ml)	High Density Black	T43B1
		Cyan	T43B2
		Magenta	T43B3
		Yellow	T43B4

Appendix

Printer model	Product		Part number
SC-F10030	Ink cartridges (10000 ml)	High Density Black	T43G1
		Cyan	T43G2
		Magenta	T43G3
		Yellow	T43G4
	Ink cartridges (3000 ml)	High Density Black	T43A1
		Cyan	T43A2
		Magenta	T43A3
		Yellow	T43A4
SC-F10070	Ink cartridges (10000 ml)*	High Density Black	T43M1
		Cyan	T43M2
		Magenta	T43M3
		Yellow	T43M4
	Ink cartridges (3000 ml)	High Density Black	T43F1
		Cyan	T43F2
		Magenta	T43F3
		Yellow	T43F4
SC-F10080	Ink cartridges (10000 ml)	High Density Black	T43K1
		Cyan	T43K2
		Magenta	T43K3
		Yellow	T43K4
	Ink cartridges (3000 ml)	High Density Black	T43D1
		Cyan	T43D2
		Magenta	T43D3
		Yellow	T43D4

* Not available in all regions.

Epson recommends the use of genuine Epson ink cartridges. Epson cannot guarantee the quality or reliability of nongenuine ink. The use of non-genuine ink may cause damage that is not covered by Epson's warranties, and under certain circumstances, may cause erratic printer behavior. Information about non-genuine ink levels may not be displayed, and use of non-genuine ink is recorded for possible use in service support.

Appendix

Others

Product	Part number	Explanation
Cleaning Kit (except for SC-F10080H/ SC-F10080)	C13S210103	The following consumable items are included in one maintenance set. <input type="checkbox"/> Cleaning fluid (x1) <input type="checkbox"/> Cup (x1) <input type="checkbox"/> Gloves (x16) <input type="checkbox"/> Cleaning stick (x50)
Cleaning Kit (for SC-F10080H/SC-F10080)	C13S210104	
Wiper Roll (except for SC-F10080H/ SC-F10080)	C13S210065	Identical to the Wiper Roll supplied with the printer.
Wiper Roll (for SC-F10080H/SC-F10080)	C13S210066	
Waste Ink Bottle (except for SC-F10080H/ SC-F10080)	C13S210071	Identical to the Waste Ink Bottle supplied with the printer.
Waste Ink Bottle (for SC-F10080H/SC-F10080)	C13S210072	
Take Up Media Holder* (except for SC-F10080H/ SC-F10080)	C12C933881	Identical to the media holder of Auto Take-up Reel Unit for this printer.
Take Up Media Holder (for SC-F10080H/SC-F10080)	C12C933891	
Take In Media Holder* (except for SC-F10080H/ SC-F10080)	C12C933901	Identical to the media holder of Media Feeding Unit for this printer.
Take In Media Holder (for SC-F10080H/SC-F10080)	C12C933911	
Media Cleaner Brush*	C12C936031	Identical to the Media Cleaner Brush supplied with the printer.
Presser Roller Spacer*	C12C936041	Identical to the Presser Roller Spacer supplied with the printer.

* Contact your Epson sales representative for availability.

Appendix

Supported Media

The following media can be used with the printer.

Print quality is greatly affected by the type and quality of media used. Choose a media suited to the task at hand. For information on use, refer to the documentation supplied with the media or contact the manufacturer. Before buying media in large quantities, try printing on a smaller sample and check the results.



Caution:

Because the media is heavy, it should not be carried by one person.

We recommend using a lifter for media that weighs over 40 kg (88.18 lb.).



Important:

Do not use media that is wrinkled, scuffed, torn, or dirty.

Roll media

Roll core size	2 or 3 inch
Roll outer diameter	Up to 250 mm (9.84 in.)
Media width	300 to 1950 mm (11.81 to 76.77 in.) (76 inches)
Media thickness	0.04 mm to 1.00 mm (0.001 to 0.03 in.)
Roll weight	Maximum 60 kg (132 lb.)*

* The specifications for lifters that can be used to load media that weighs over 40 kg (88.18 lb.) are as follows.

- Thickness of the fork and table: under 28 mm (1.10 in.)
- The surface of the fork and table can be lowered approximately 190 mm (7.48 in.) from the floor.

Moving and Transporting the Printer

This section describes how to move and transport the product.

Moving the Printer

This section explains how to move the printer to another location on the same floor. See below for information on moving the printer between floors or to another building.

 [“Transport” on page 195](#)

What You'll Need

Use the following items supplied with the printer to move it. Prepare them and keep have them handy before you start working.

- Spanner**
Use to turn the nuts on the adjusters.



- Hex wrench**
Use when securing the print head.



The printer is heavy, so use 5 people to move it.



Warning:

- To prevent ground leak accidents, connect to a grounded (earthed) outlet. Connecting to anything other than a grounded outlet could result in electric shock or fire.*
- Use only the type of power source indicated on the printer's label. An electric shock or fire could occur.*
- Do not connect the power cable to a power strip or multi plug. An electric shock or fire could occur. Connect the power cable directly to an outlet for domestic use.*

Appendix

⚠ Caution:

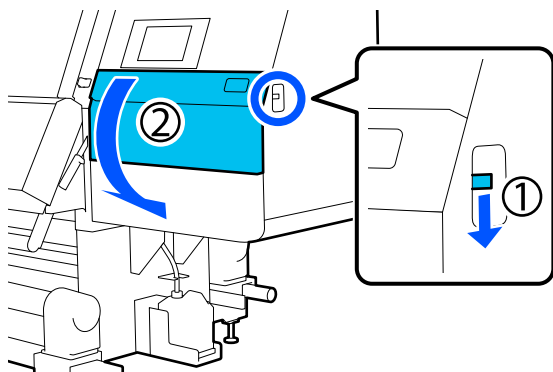
Do not tilt the product more than 10 degrees forward or back while moving it. Failure to observe this precaution could result in the printer falling over, causing accidents.

! Important:

- ❑ The printer can be moved across bumps of less than 5 mm (0.19 in.) and gaps of less than 30 mm (1.18 in.). Before you start, check the bumps and gaps of the route to move the printer.
- ❑ Be sure to move the printer under the following conditions.
 - ❑ Do not separate ink supply unit from the printer.
 - ❑ Leave fixing wire attached.
 - ❑ Leave ink cartridges installed.

Getting Ready

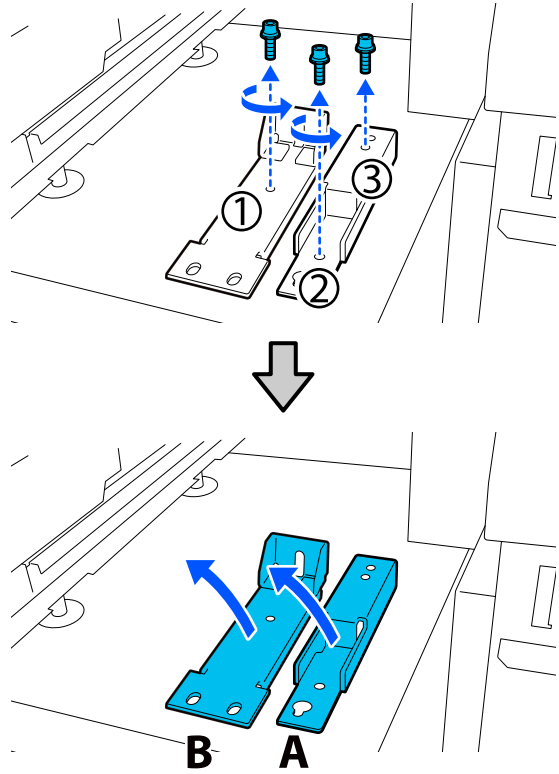
- 1** Confirm that the printer is off.
- 2** Remove the Waste Ink Bottle.
 - 🔗 [“Replacing the Waste Ink Bottle” on page 127](#)
- 3** Disconnect the power cords and all other cables. Remove any wires that are in clamps from the clamps.
- 4** Open the right-side maintenance cover.



- 5** Loosen the 3 screws and remove the screws and print head anchors A and B, as shown in the illustrations.

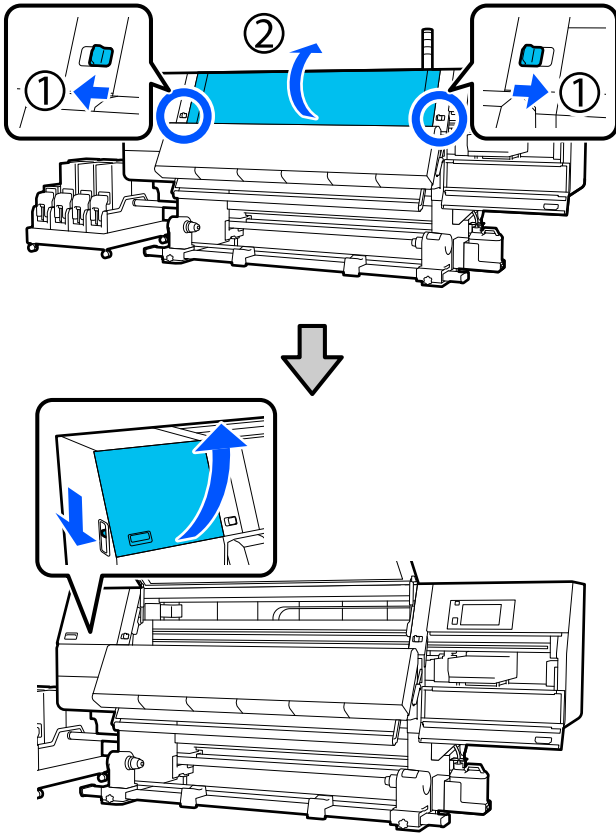
If screws (1) and (2) are difficult to loosen by hand, use a hex wrench.

Pull screw (3) out as is.



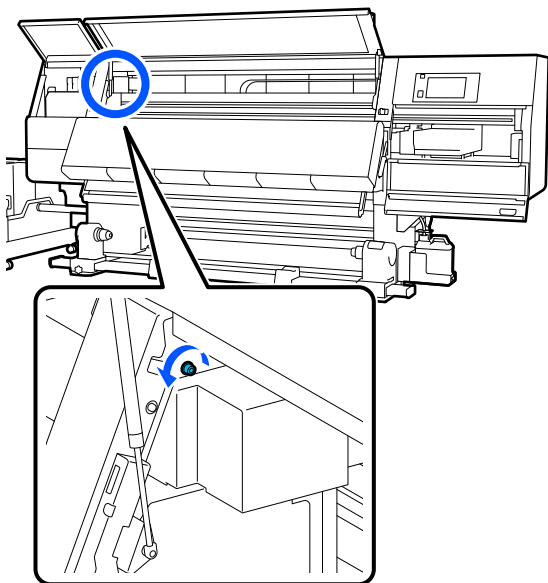
Appendix

- 6** Open the front cover and left-side maintenance cover.



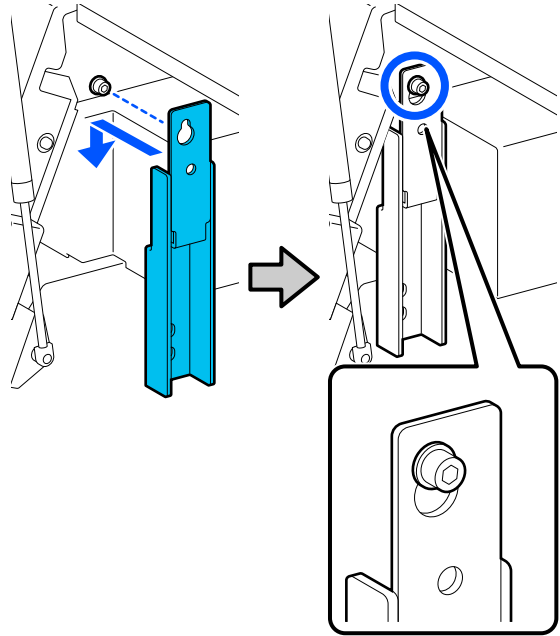
- 7** Loosen the screw shown in the illustration inside the front cover about halfway.

If a screw is difficult to loosen by hand, use a hex wrench.

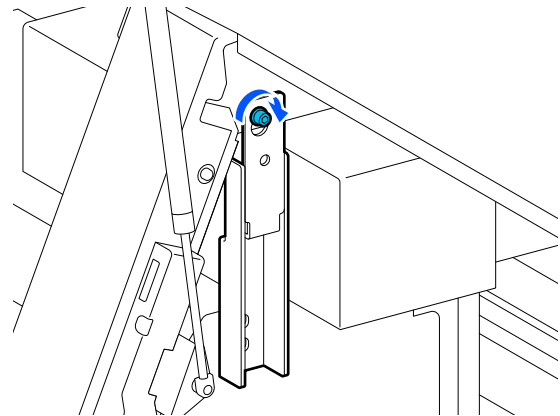


- 8** Hang anchor A on the screw as shown in the illustration.

Put the screw through the hole in the anchor to hook it. When doing this, confirm that the screw is hooked into the upper part of the hole.

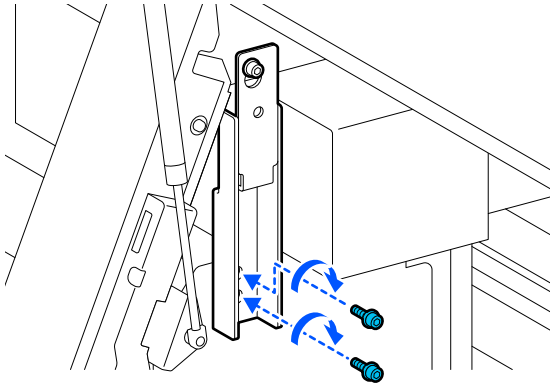


- 9** Lightly tighten the screw.

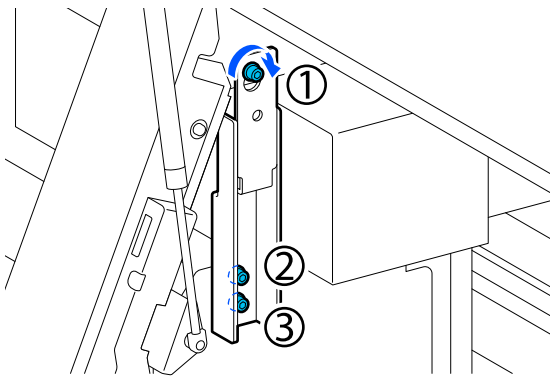


Appendix

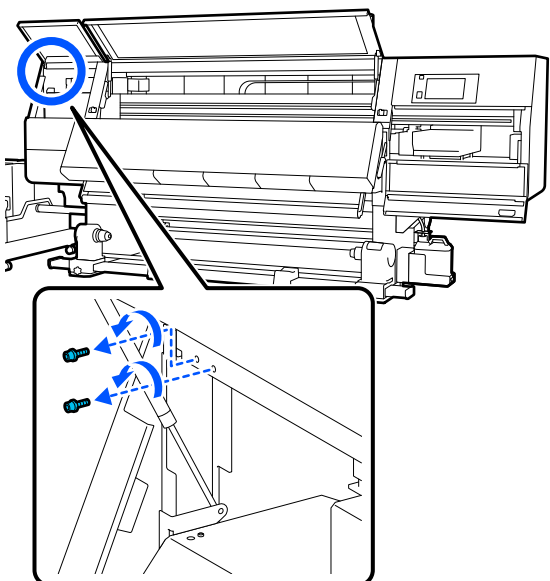
- 10** Insert the screws removed in Step 5 into the 2 holes in the bottom part of the anchor, and lightly tighten them.



- 11** Use the hex wrench to securely tighten the screws in the order shown in the illustration.

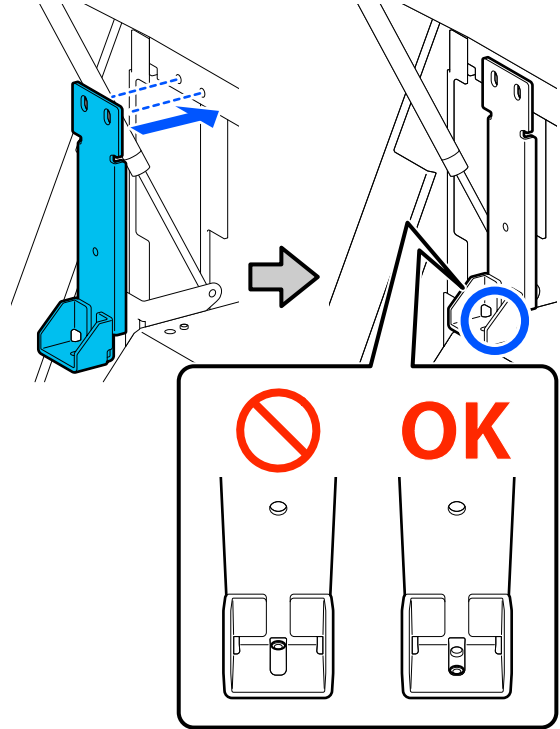


- 12** Loosen and remove the 2 screws inside the maintenance cover, as shown in the illustration. If a screw is difficult to loosen by hand, use a hex wrench.

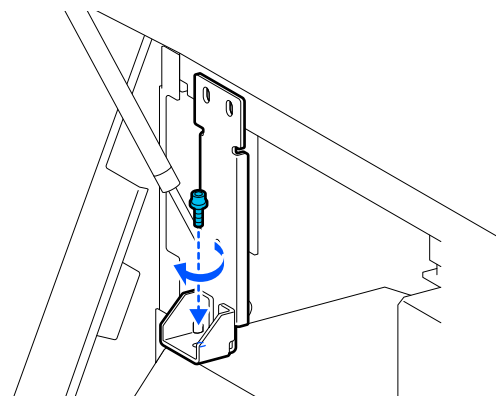


- 13** Align the screw holes on the printer and on anchor B in the orientation shown in the illustration.

When doing this, position the anchor without tilting it. When it is positioned correctly, the screw hole appears at the front end of the rectangular hole in the bottom of the anchor.

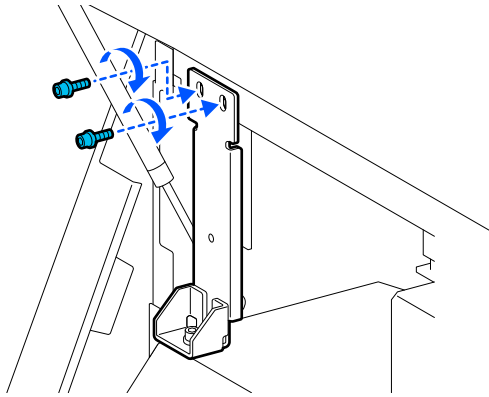


- 14** Insert the screw removed in Step 5 into the hole in the bottom part of the anchor, and lightly tighten it.

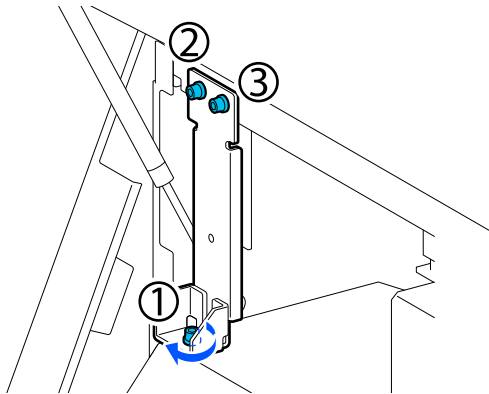


Appendix

- 15** Insert the screws removed in Step 12 into the 2 screw holes in the top part of the anchor, and lightly tighten them.



- 16** Use the hex wrench to securely tighten the screws in the order shown in the illustration.



- 17** Close all the covers, and then move the front cover's left and right lock levers inward.

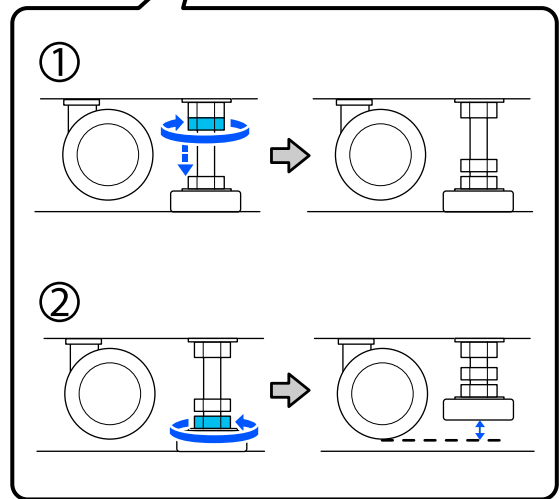
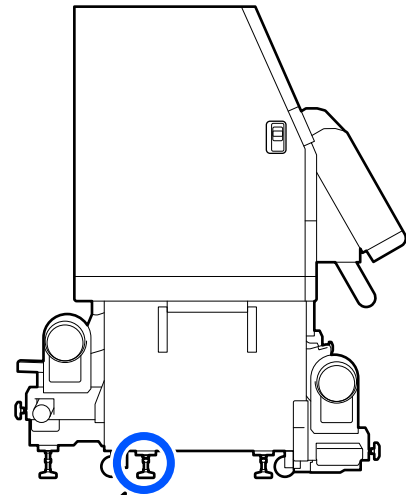
- 18** Remove media from the Media Feeding Unit and Auto Take-up Reel Unit.

[“Removing the Take-up Roll” on page 87](#)

[“Removing the Loaded Media” on page 89](#)

- 19** On the left side, raise the center adjuster so it is higher than the caster.

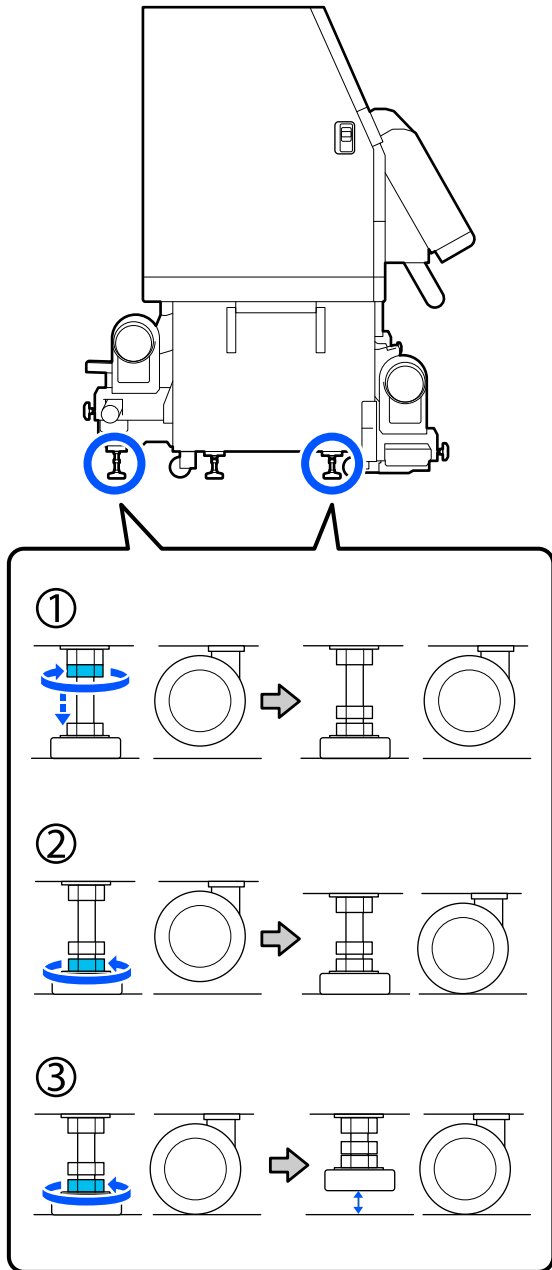
- (1) Turn the top nut clockwise to move it downward.
- (2) Turn the bottom nut counter-clockwise until the adjuster is higher than the caster.



- 20** On the left side, raise the front and back adjusters so they are higher than the casters.

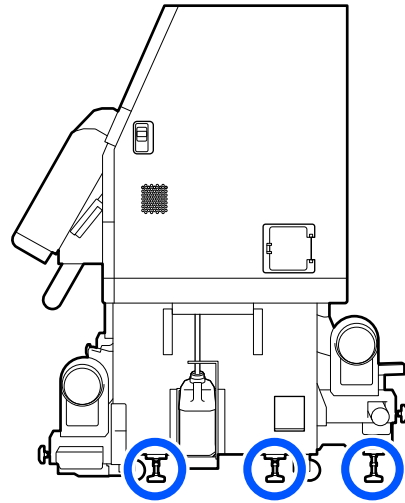
- (1) Turn the top nut clockwise to move it downward.
- (2) Turn the bottom nut counter-clockwise until the caster touches the floor.
- (3) Continue to turn it counter-clockwise until the adjuster is higher than the caster.

Appendix



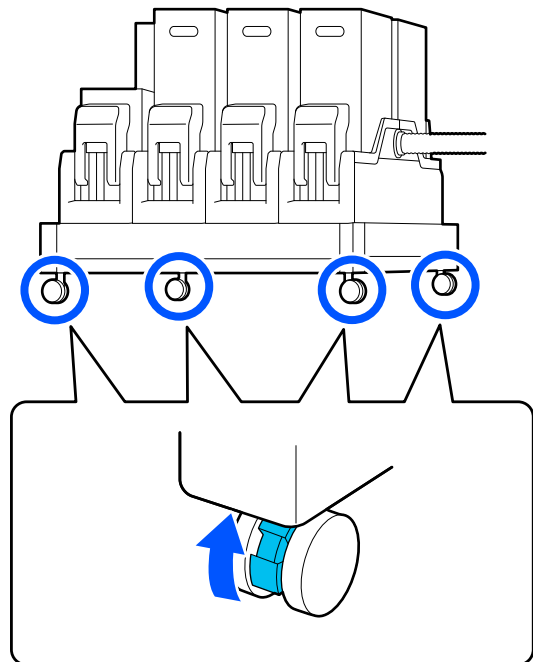
The metal plates under the adjusters are used for installing the printer after moving it, so do not throw them away.

21 Repeat Steps 19 and 20 on the right side to raise those adjusters so they are higher than the casters.



22 Release the locks on the casters on the ink supply unit.

Release all the locks, 4 on the SC-F10000 Series and 6 on the SC-F10000H Series.



Moving

Use a total of 5 people, 4 for the printer and 1 for the ink supply unit, to move the equipment. Also, move so that the printer moves first in the direction you are moving.

Appendix

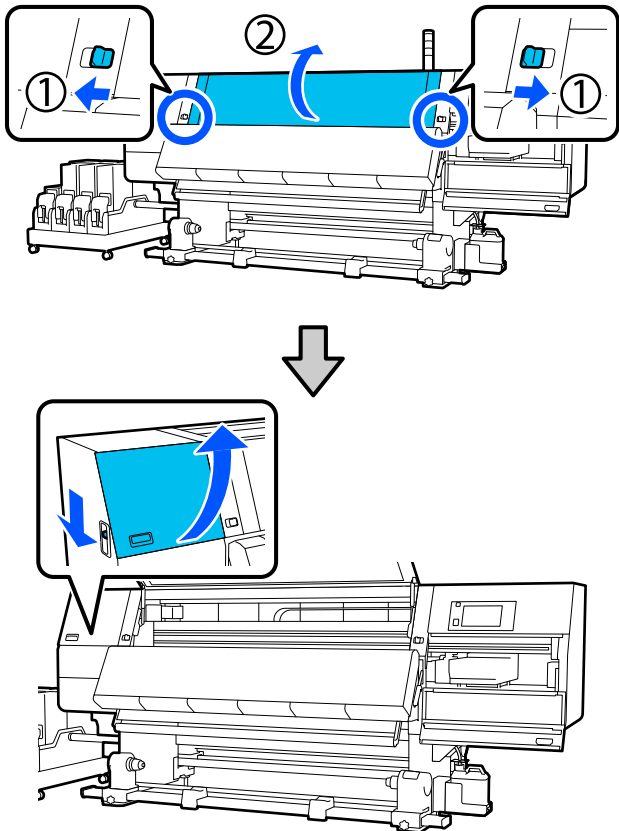
Important:

Use the casters on the printer only to move the printer indoors a short distance over a level floor. They can not be used for transport.

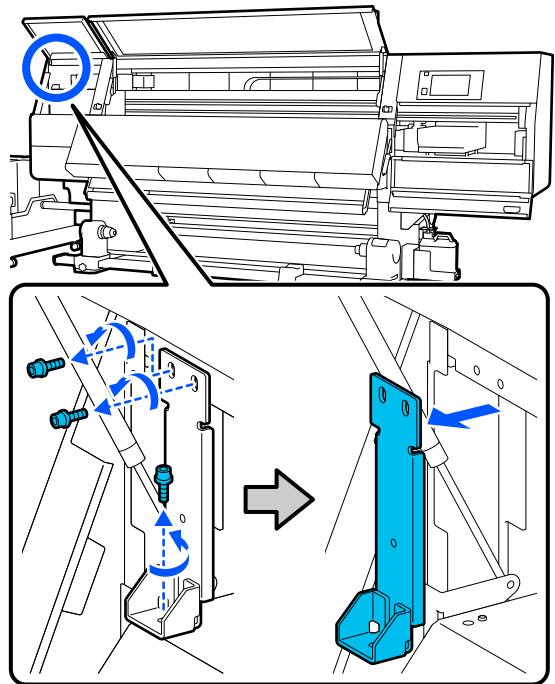
Post-Move Installation

After moving the printer, follow the steps below to ready it for use.

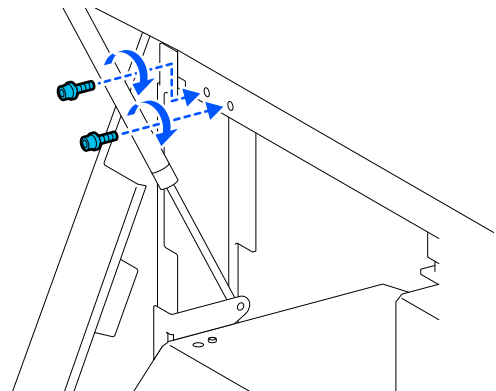
- 1 Check that the location is appropriate for installation.
 ☞ “Notes on Usage and Storage” on page 33
- 2 Open the front cover and left-side maintenance cover.



- 3 Use a hex wrench to loosen the 3 screws on anchor B, and then remove the screws and anchor B.

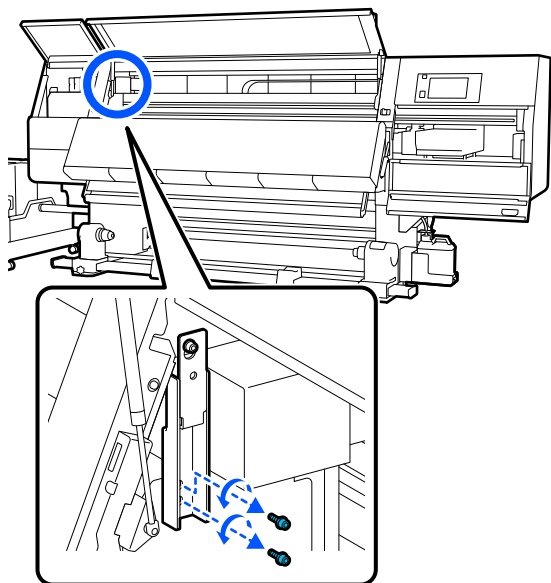


- 4 Put the 2 top screws back into their original screw holes, and use a hex wrench to tighten them securely.
 If they are tightened loosely, they may interfere when closing the maintenance cover. Tighten them securely.

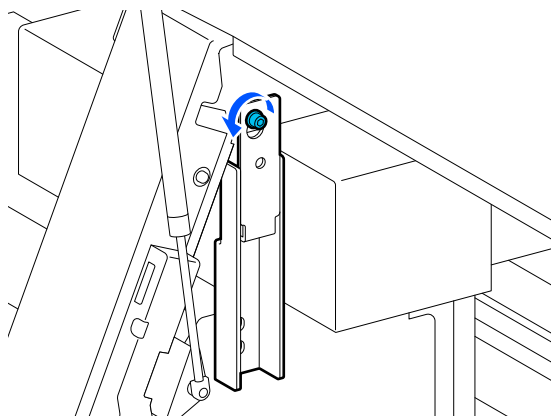


Appendix

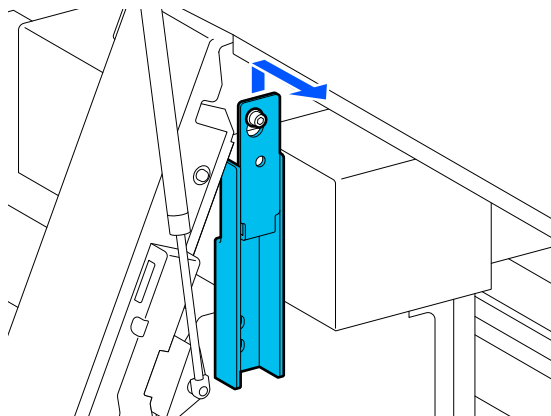
- 5 Use a hex wrench to loosen and remove the 2 bottom screws on anchor A.



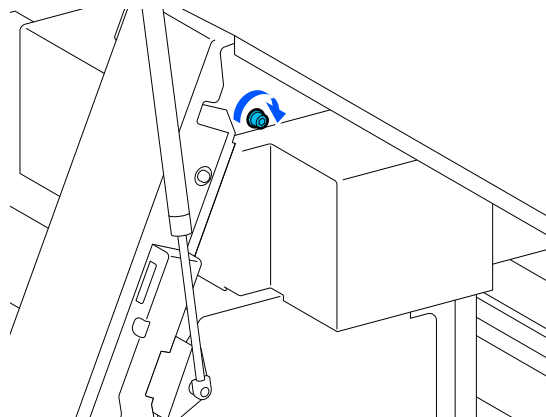
- 6 Use a hex wrench to halfway loosen the top screw on anchor A.



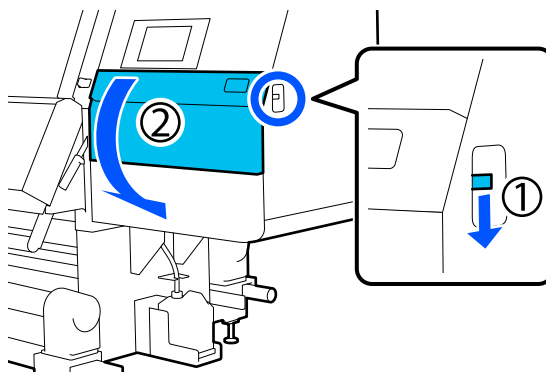
- 7 Slide anchor A upward and then remove it.



- 8 Tighten the top screw.

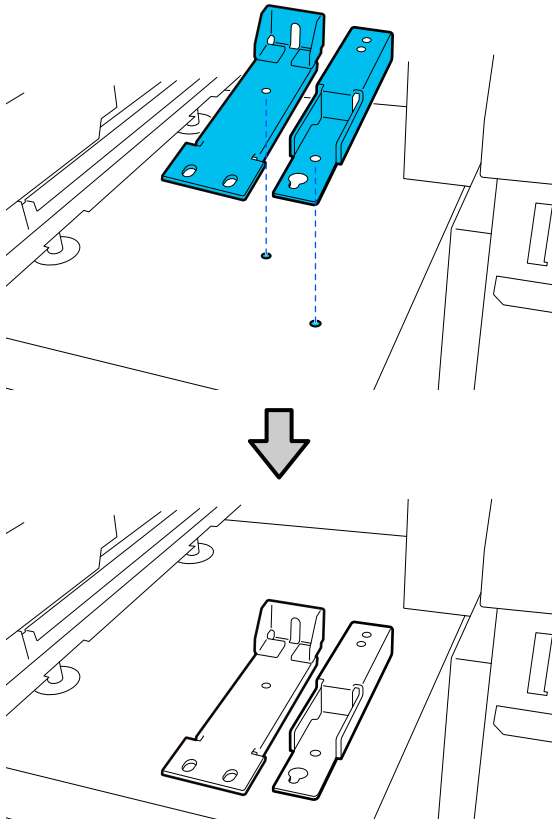


- 9 Open the right-side maintenance cover.

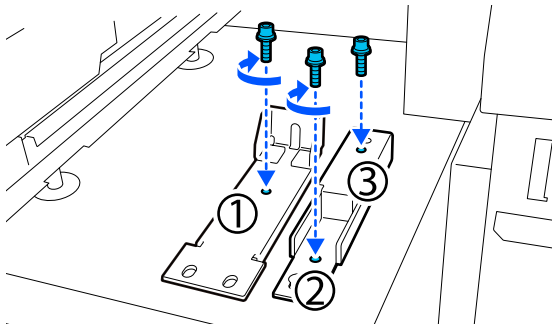


Appendix

- 10** Align anchor A and B with the screw hole positions on the printer as shown in the illustration.

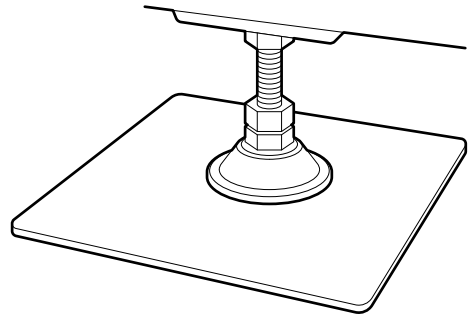


- 11** Use the screws removed in Steps 3 and 5, and insert and tighten 2 of them into screw holes (1) and (2), and insert 1 of them into hole (3).



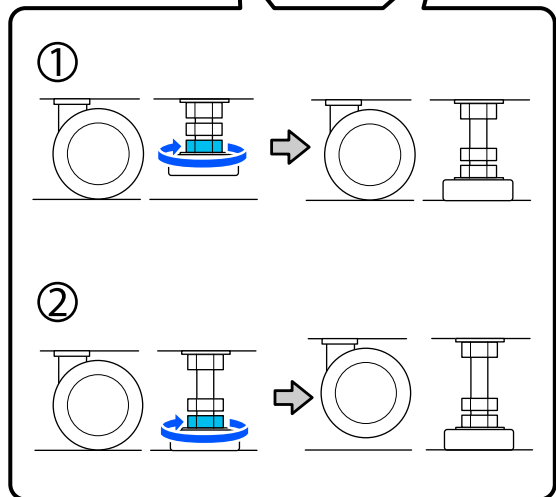
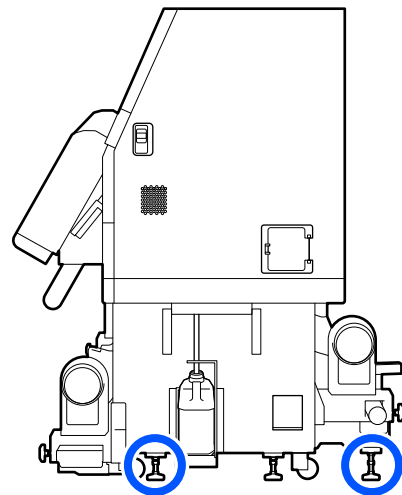
- 12** Close all the covers, and then move the front cover's left and right lock levers inward.

- 13** Place the metal plates under the printer's 6 adjusters.



- 14** On the right side, use the front and back adjusters on the printer to suspend the casters.

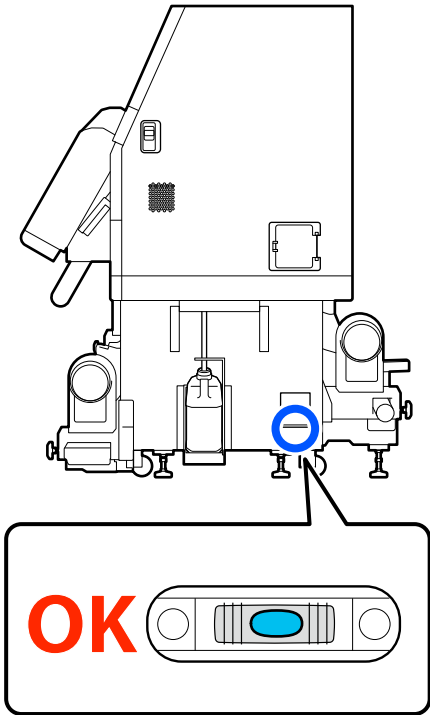
- (1) Turn the bottom nut clockwise until the adjuster touches the floor.
- (2) Continue to turn it clockwise until the caster is suspended.



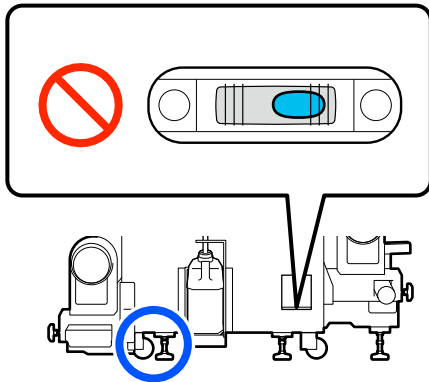
Appendix

15

Adjust the adjusters so the printer is level.
Turn the bottom nut of the adjuster until the air bubble in the level gauge is centered.

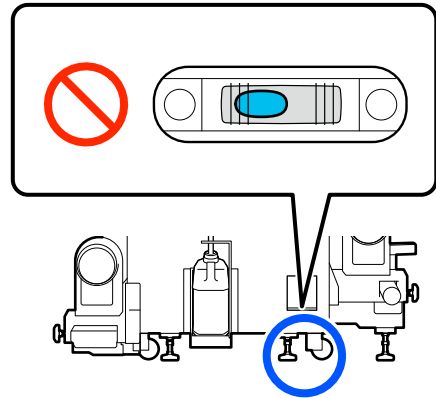


When the air bubble is toward the back side
Turn the nut on the front adjuster clockwise.



When the air bubble is toward the front side

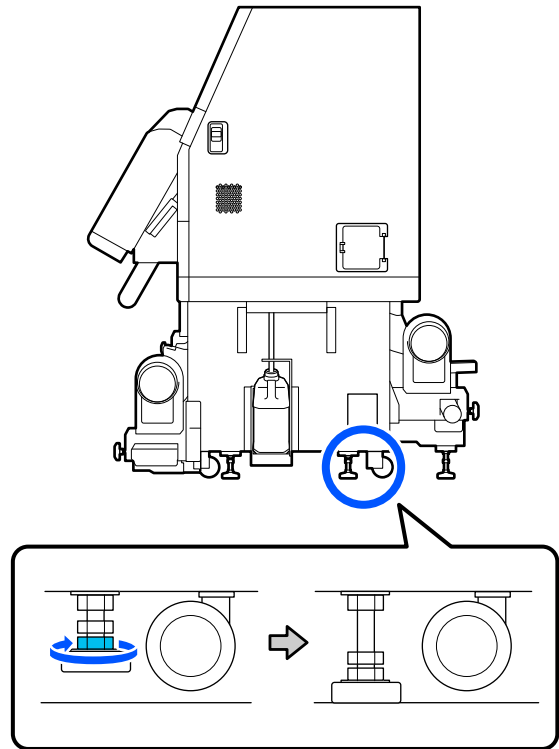
Turn the nut on the back adjuster clockwise.



16

On the right side, lower the center adjuster until it touches the floor.

Turn the bottom nut clockwise until the adjuster touches the floor.



17

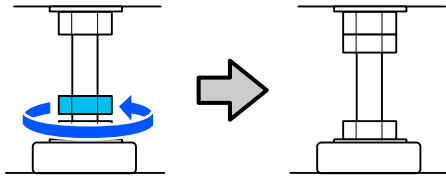
Repeat Step 14 to suspend the left side casters.

18

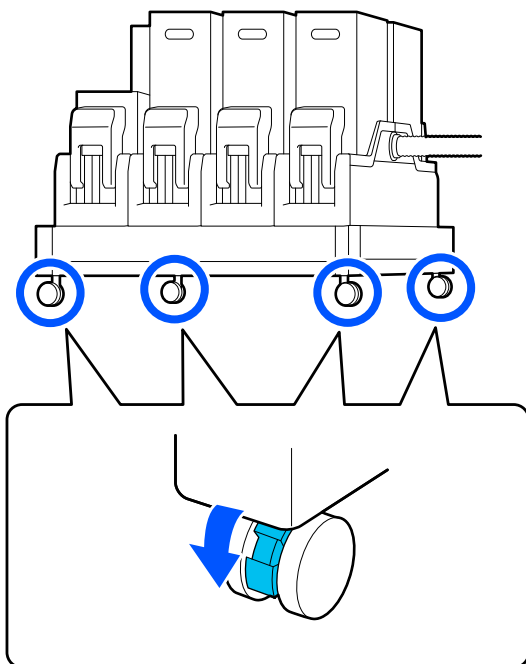
Repeat Step 16 to suspend the center adjuster on the left side.

Appendix

- 19** On all 6 adjusters, turn the top nut clockwise until it reaches the top part and stops.
After it reaches the top part, tighten it securely to fix it.



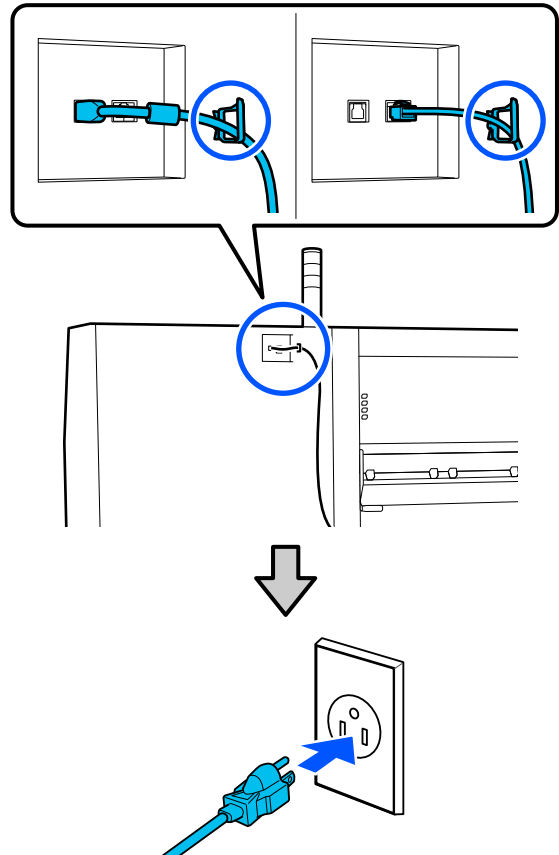
- 20** Lock the casters on the ink supply unit.
Lock all the casters, 4 on the SC-F10000 Series and 6 on the SC-F10000H Series.



- 21** Do parallel adjustments to the Auto Take-up Reel Unit.
[☞ “Parallel Adjustments for the Auto Take-up Reel Unit” on page 198](#)

- 22** Connect all necessary wires, plug the power plug into an outlet with a grounding (earth) connector, and then turn on the power.
Put the cables that went through clamps back through the clamps.

Be sure to put the USB cable and LAN cable through their clamps.



! Important:

The shape of the plug varies with the region or country of sale. Use the supplied power cable only.

- 23** Perform a nozzle check to check for clogged nozzles.
[☞ “Printing nozzle check patterns” on page 137](#)

- 24** Perform **Print Adjustments** in the setup menu, and check the print quality.
[☞ “Print Adjustments” on page 93](#)

Transport

Before transporting the printer, contact your dealer or Epson Support.

[☞ “Where To Get Help” on page 218](#)

How to use pressure roller spacers

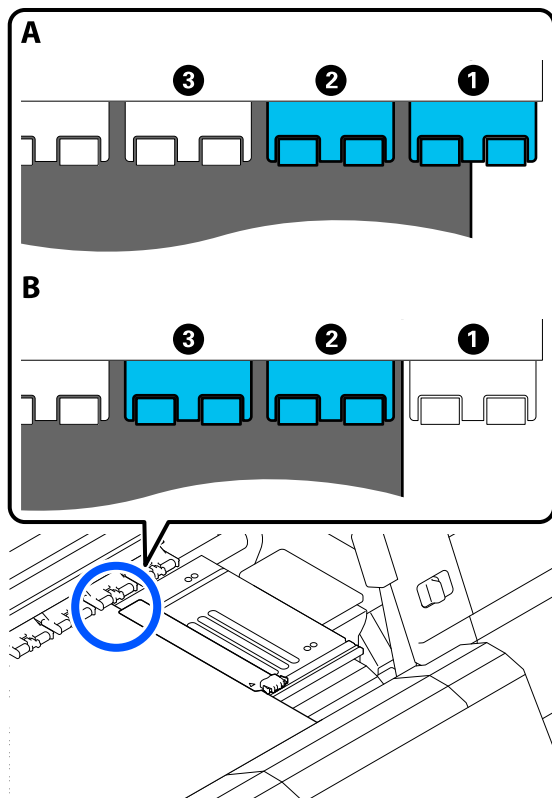
If wrinkles occur near the end of the media, using spacers so the pressure roller does not press on the end of the media may improve the wrinkles. Use the following procedure to install the spacers to the pressure rollers.

How to install spacers

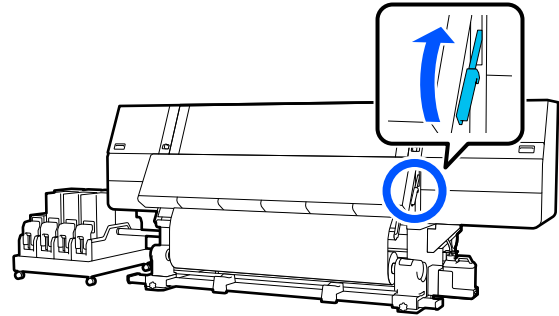
- 1 Confirm on which pressure rollers to install the spacers.

Spacers are installed in a total of 4 positions, 2 each on the left and right pressure rollers that press on the ends of the media. Look at the left and right ends of the media, to confirm the pressure rollers that are pressing on the media.

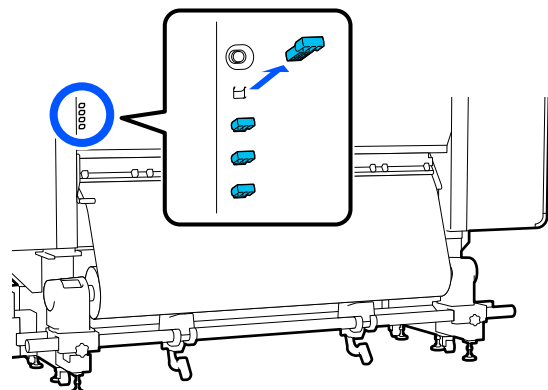
The illustration shows an example of pressure rollers pressing on the right end of the media. If the edge of the media is in the A position, install the spacers on the ① and ② pressure rollers. If the edge of the media is in the B position, install the spacers on the ② and ③ pressure rollers.



- 2 Raise the media loading lever.

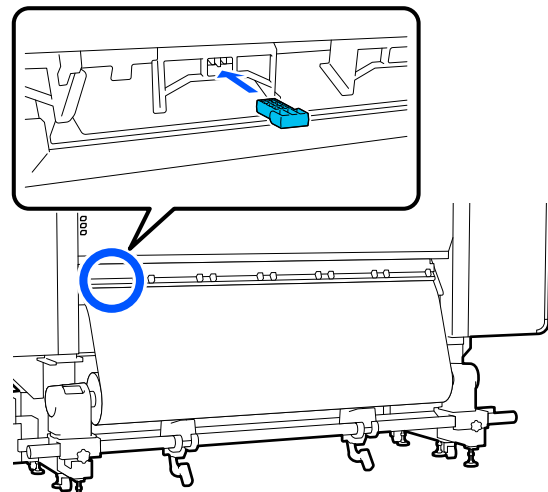


- 3 Move to the back side and remove the spacers from where they are stored.



- 4 Insert the spacers into the holes on the back side of the rollers that you confirmed in Step 1.

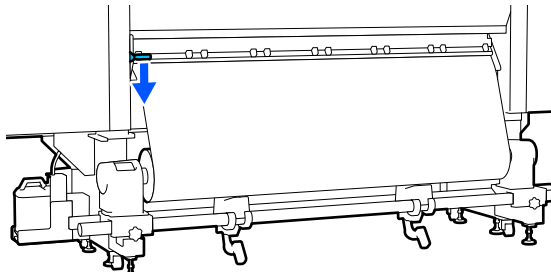
Insert the spacers until they are deep inside a total of 4 pressure rollers, 2 each on the left and the right. If they are only inserted shallowly, they may come out while the printer is operating.



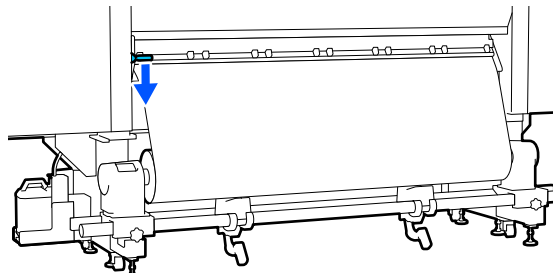
Appendix

5 Lower the media loading lever.

The pressure rollers on which the spacers are installed are immobilized, so they do not move even if the lever is lowered.

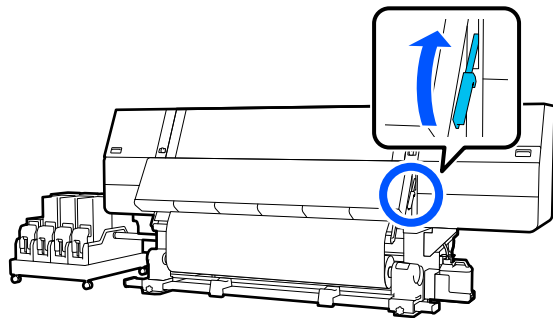


3 Lower the media loading lever.

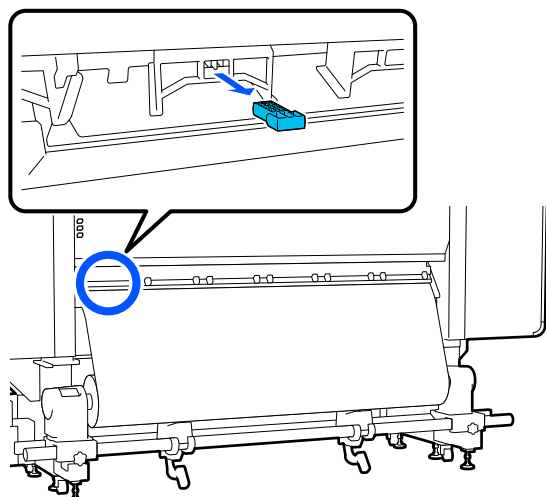


How to remove spacers

1 Raise the media loading lever.



2 Move to the back side and remove the 4 spacers and return them to where they are stored.



Appendix

Parallel Adjustments for the Auto Take-up Reel Unit

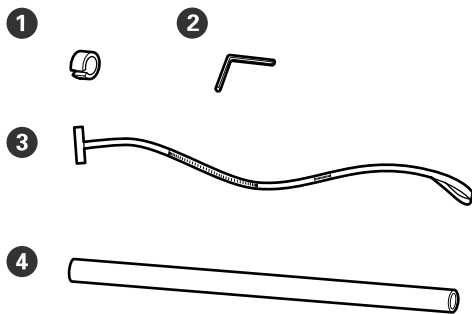
In the following situations, do parallel adjustments to the Auto Take-up Reel Unit.

- ❑ When there are problems with take-up, such as it creating large misalignments with the roll
- ❑ The printer has been moved

Have two people do parallel adjustment work because there is work to be done to the front and back sides of the printer at the same time.

Preparations for Parallel Adjustment

Perform parallel adjustment using the provided shorter roll core and adjustment tools. Get the following items ready before beginning adjustment.



①	Weight
②	Hex wrench
③	Film
④	Roll core (shorter roll)

How to Adjust

Do adjustment work in the following order.

1. Checking the Parallelism

Attach the adjustment tool to confirm there is no misalignment in the parallelism of the Auto Take-up Reel Unit. If there is no misalignment, then adjustment is not necessary.



2. Adjustments

Visually confirm as you do adjustments until any misalignment in the parallelism is eliminated.

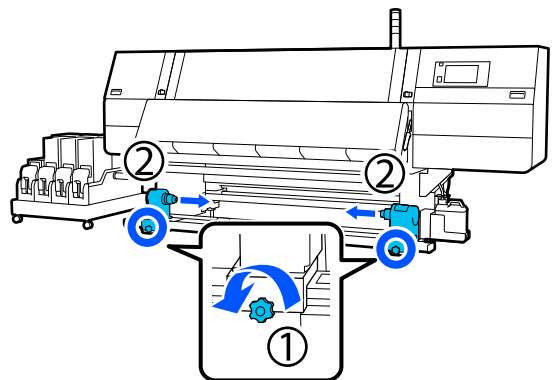


3. Completing Adjustments

Remove the adjustment tool, and set up the printer so you can use it again.

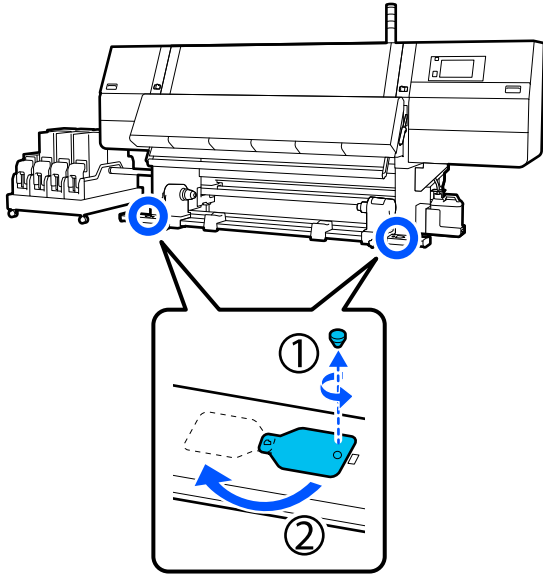
Checking the Parallelism

- 1 Confirm that the printer is off.
- 2 Loosen both the left and right media holder locking screws and move the media holders inward.

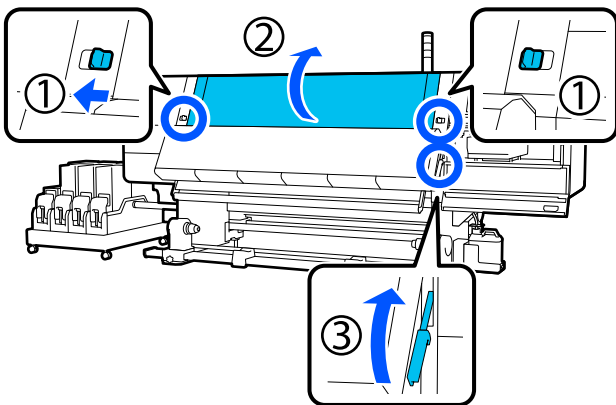


Appendix

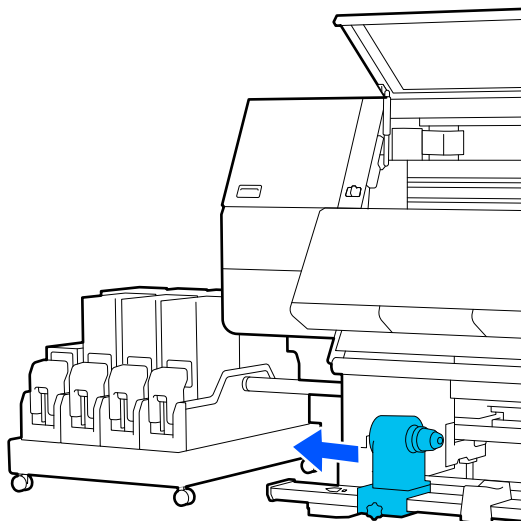
- 3** Remove the screws in the illustration below, and then turn the cover to open it.



- 4** Open the front cover and raise the media loading lever.

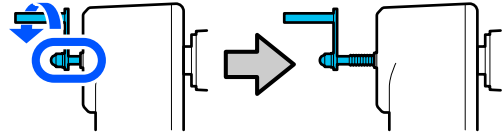


- 5** Move the left-side media holder to the outer side.

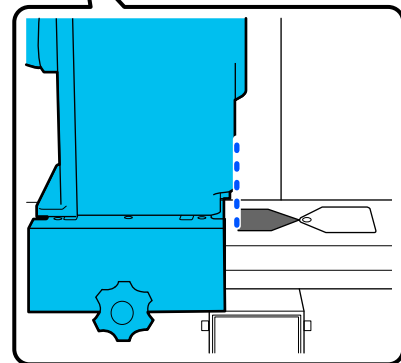
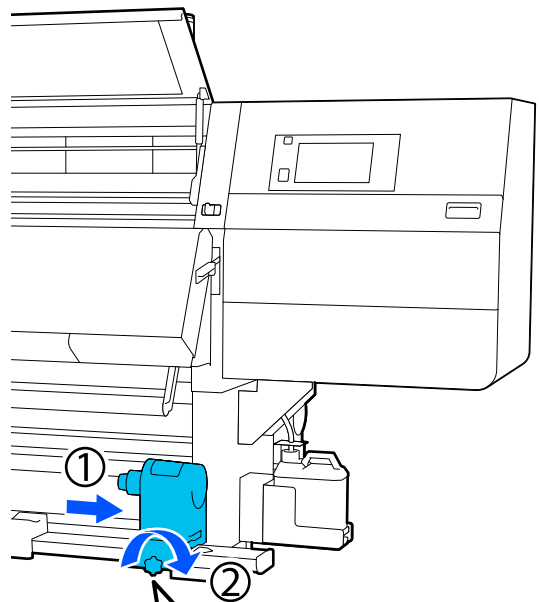


! Important:

If the left-side media holder handle's shaft is not visible, rotate the handle as shown in the illustration until it stops. The roll core cannot be properly loaded if the handle's shaft is not visible.

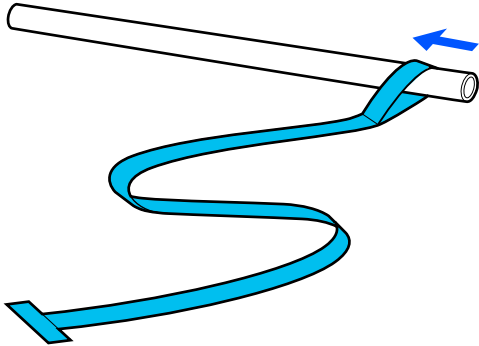


- 6** Align the right-side media holder with the position of the dotted line, and then tighten the locking screw.

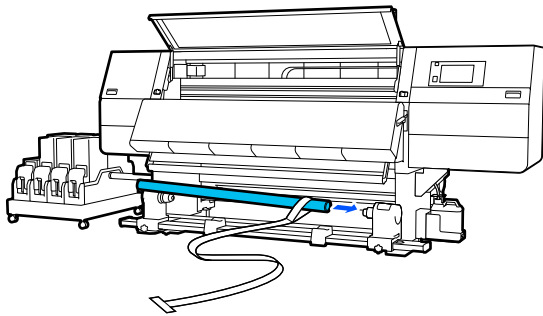


Appendix

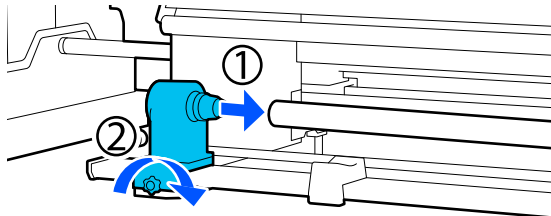
7 Pass film through the roll core.



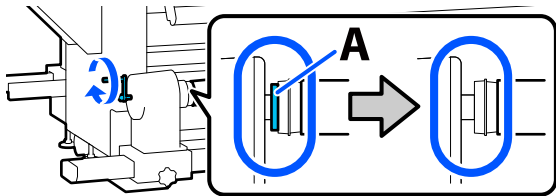
8 Insert the roll core into the right-side media holder.



9 Push the left-side media holder inwards, and then tighten the locking screw.

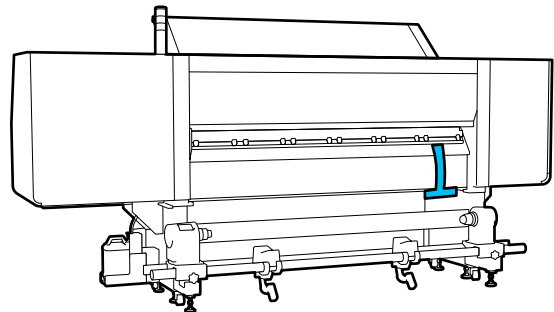
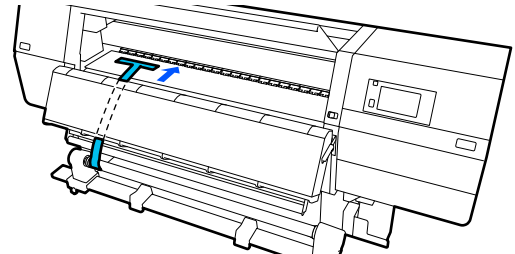
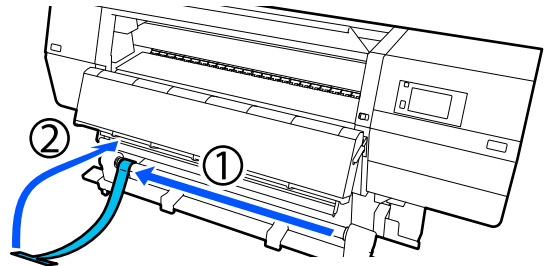


10 Rotate the handle until part A in the illustration below is fully inserted.



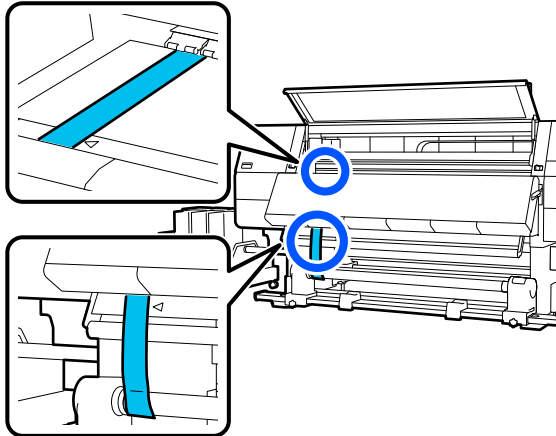
11 Move the film to the left side, insert its leading edge into the printer, and pass it through to the back side.

Insert it into the bottom of the dryer and then out the top part, over the platen and through to the back.

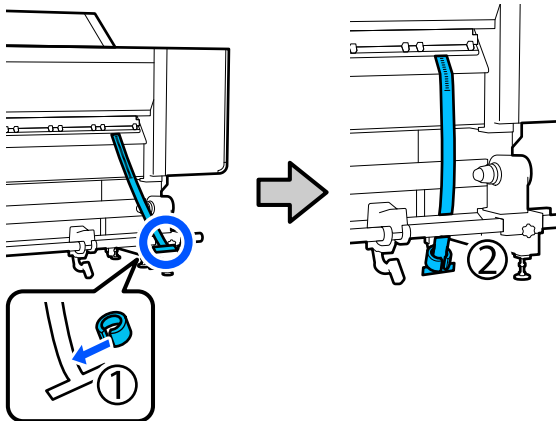


Appendix

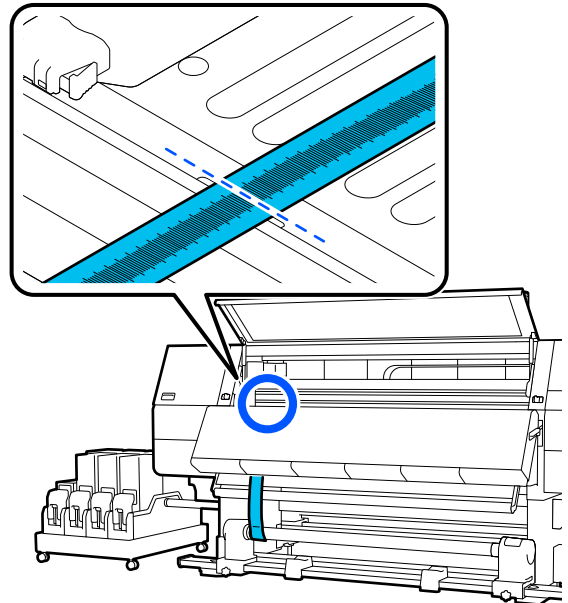
- 12** Align the film with the tips of the triangles on the top and bottom of the left side of the dryer.



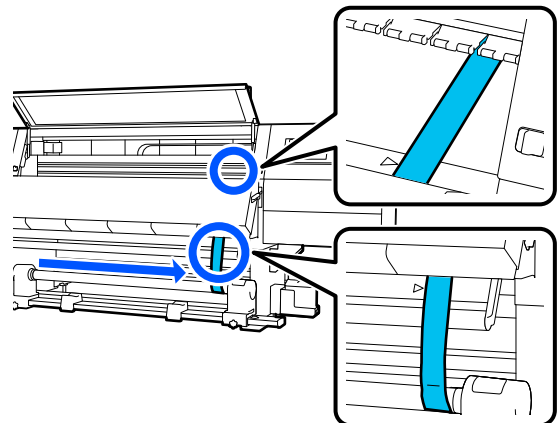
- 13** Attach the weight to the leading edge of the film at the back of the printer, letting it hang in the position shown in the following illustration.



- 14** After the film stops swinging, read the value on the scale at the position on the platen shown in the illustration, and record that value.



- 15** Lift the film at the front and back of the printer and move it so that it aligns with the tips of the triangles on the right side.



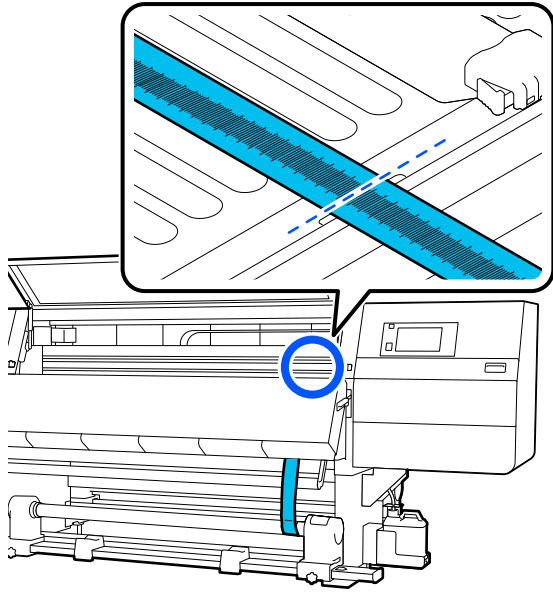
- 16** After the film stops swinging, read the value on the scale at the position on the platen shown in the illustration, and record that value.

If the difference between the values of both sides is more than 0.5 mm (0.01 in.), proceed to the adjustments in the next section.

If the difference is under 0.5 mm (0.01 in.), no adjustments are necessary. Refer to the following to remove the film.

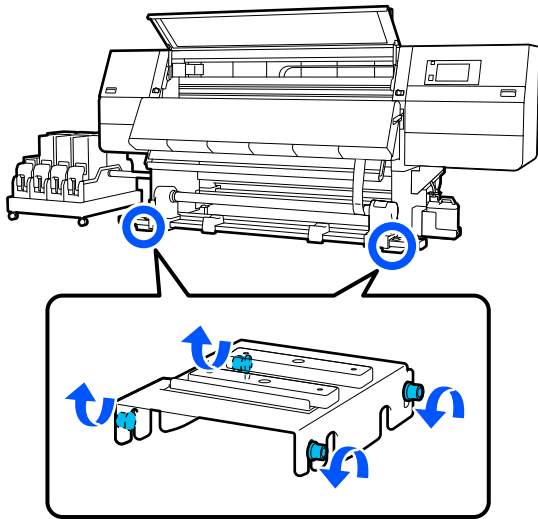
Appendix

 "Completing Adjustments" on page 204

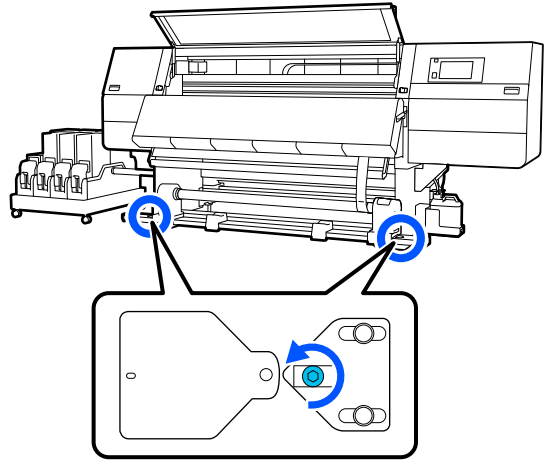


Adjustments

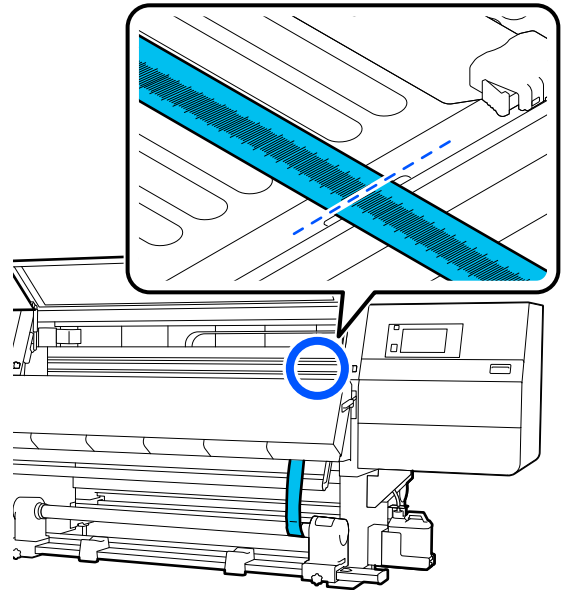
1 Loosen all of the metal fixing screws in the illustration below.



2 Completely loosen the adjustment screws on both sides in the illustration below.

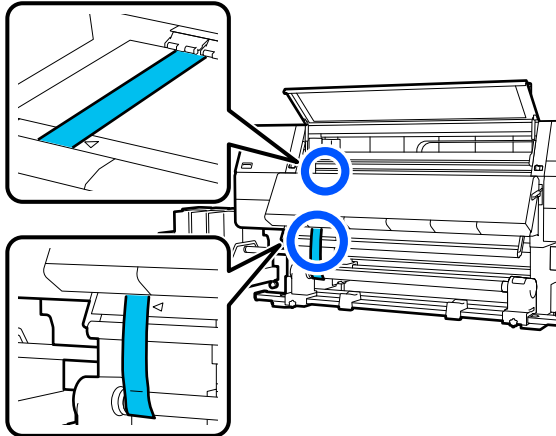


3 Confirm that the film is aligned with the tips of the triangles on the right side, read the value on the scale at the position on the platen shown in the illustration, and record that value.



Appendix

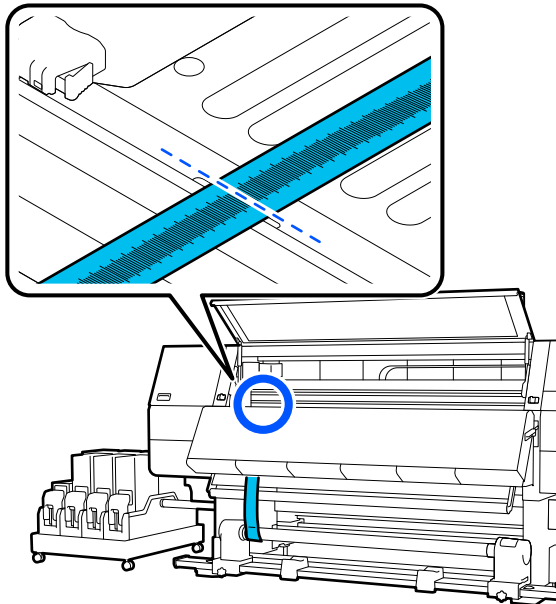
- 4** Move the film to align with the tips of the triangles on the left side.



- 5** After the film stops swinging, read the value on the scale at the position on the platen shown in the illustration, and record that value.

If the difference between the values on the left and the right is more than 0.5 mm (0.01 in.), proceed to Step 6 to adjust the screw with the higher value to reduce the difference.

If the difference is under 0.5 mm (0.01 in.), proceed to Step 7.



- 6** Adjust it so the difference between the left and right is less than 0.5 mm (0.01 in.).

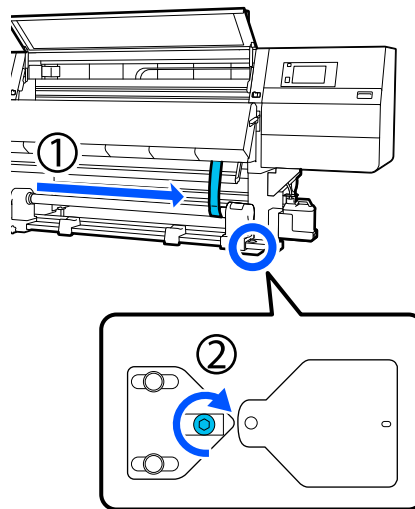
- (1) Align the film with the tips of the triangles on the side you are adjusting.

- (2) While checking the scale, turn the adjustment screw clockwise until the difference in the values for both sides is less than 0.5 mm (0.01 in.).

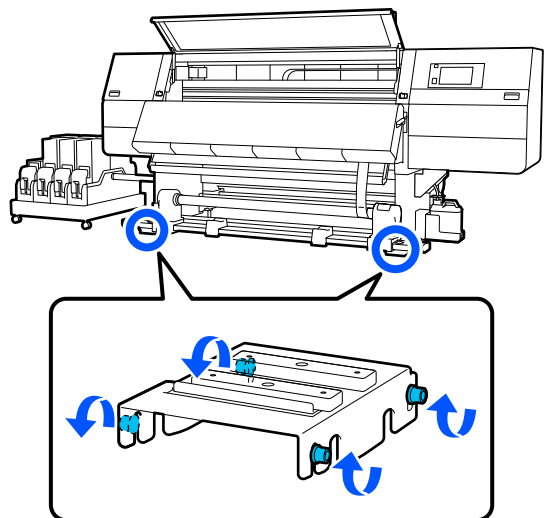
The scale moves from the place that has tension when the screw is turned.

Fully rotating the screw once makes the value about 0.6 mm (0.23 in.) smaller.

Example When the Value of the Right Side is High



- 7** Securely tighten all the screws in the following illustration.

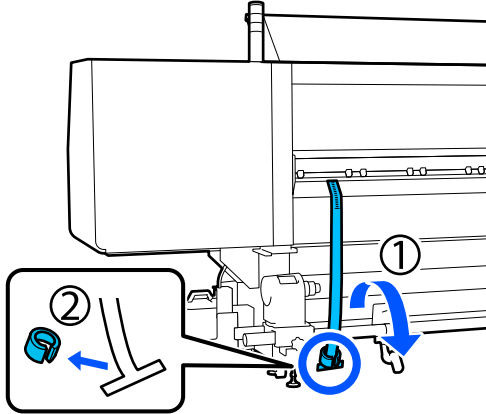


Next, continue to the next section, Completing Adjustments.

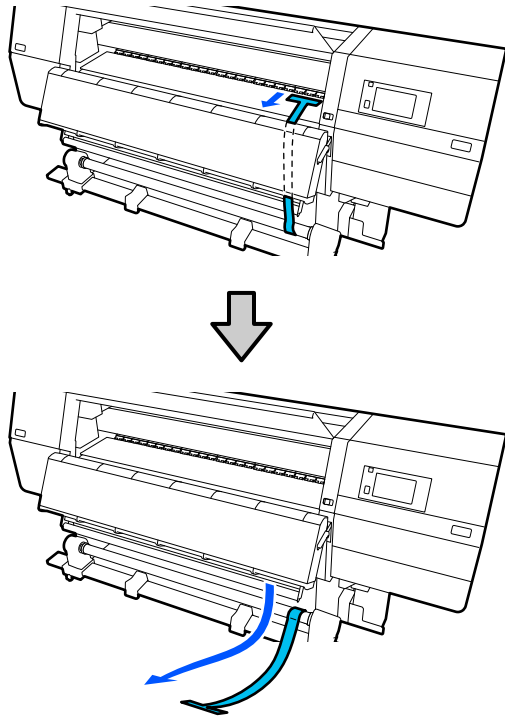
Appendix

Completing Adjustments

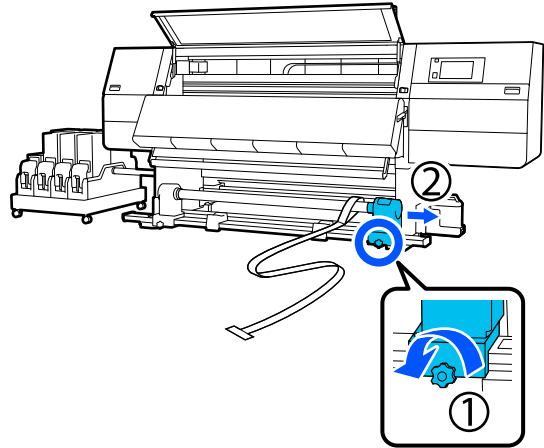
- 1 Remove the weight attached to the film at the back of the printer.



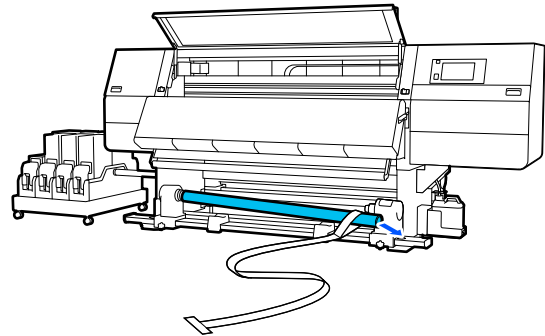
- 2 Pull film out from the front of the printer.



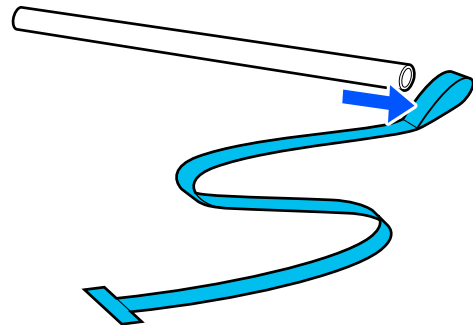
- 3 Loosen the right media holder fixing screw and remove the media holder.



- 4 Remove the roll core.



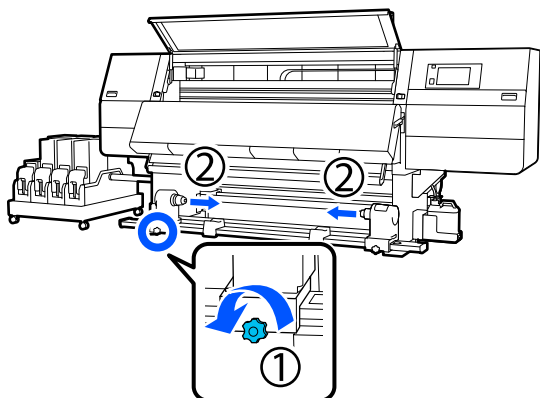
- 5 Remove film from the roll core.



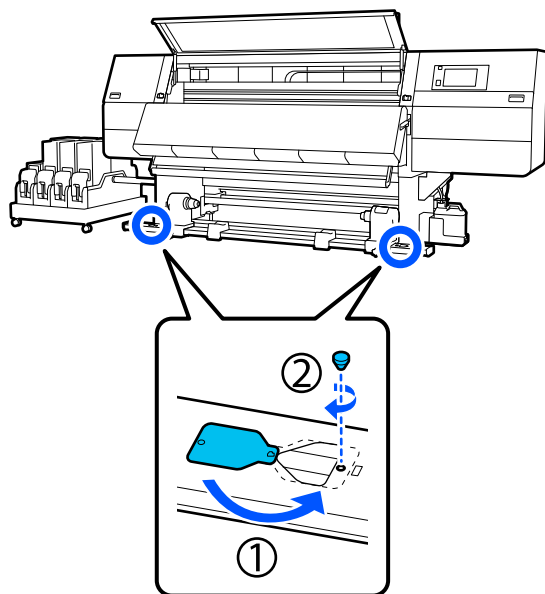
Note:
 After removing the film, be careful not to crease it, and store it together with the weight. If you plan on using the film again, remove dust, etc., and smooth it out straight before use.

Appendix

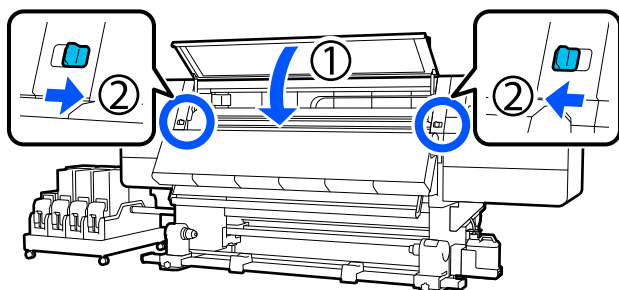
- 6** Loosen the locking screw on the left media holder locking screw and move the left and right media holders inward.



- 7** Turn the cover in the illustration below to close it, and then tighten the screw.



- 8** Close the front cover, and then move the left and right lock levers inward.



Appendix

Media Settings List for Each Media Type

The following table shows the media settings registered when a Media Type is selected.

Ultra-Thin

Item	Pass Mode (*: Default value)										
	300x600dpi				600x600dpi				600x1200dpi		1200x1200dpi
	1.1 pas s	1.5 pas s	2.1 pas s	3.1 pas s	2.1 pas s	2.5 pas s	3.1 pas s	4.3 pas s*	5.0 pas s	5.0 pas s HD	9.0 pas s HD
Heater	On										
Temperature	90	80	70	65	70	65	65	60	55	55	50
Fan	Off										
Drying Time	14	19	23	33	23	27	33	46	52	52	89
Proceed to Drying after Print	Off										
Drying Action	Auto										
Platen Gap	2.0										
Feeding Tension	Lv2										
Paper Suction	Lv1										
Media Feed Speed Limitation	Off										
Pressure Roller Load	Standard										
Remove Skew	On										
Stick Prevention	On										
Rewind Tension	Lv6	Lv6	Lv6	Lv6	Lv6	Lv6	Lv6	Lv4	Lv4	Lv4	Lv4
Print Quality Adjustment Limitation Temperature	5										
Media Feed Adjustment value	0										

Appendix

Thin

Item	Pass Mode (*: Default value)										
	300x600dpi				600x600dpi				600x1200dpi		1200x1200dpi
	1.1 pas s	1.5 pas s	2.1 pas s	3.1 pas s	2.1 pas s	2.5 pas s	3.1 pas s	4.3 pas s*	5.0 pas s	5.0pas s HD	9.0pass HD
Heater	On										
Temperature	90	80	70	65	70	65	65	60	55	55	50
Fan	Off										
Drying Time	14	19	23	33	23	27	33	46	52	52	89
Proceed to Drying after Print	Off										
Drying Action	Auto										
Platen Gap	2.0										
Feeding Tension	Lv2										
Paper Suction	Lv3										
Media Feed Speed Limitation	Off										
Pressure Roller Load	Standard										
Remove Skew	On										
Stick Prevention	Off										
Rewind Tension	Lv6	Lv6	Lv6	Lv6	Lv6	Lv6	Lv6	Lv4	Lv4	Lv4	Lv4
Print Quality Adjustment Limitation Temperature	5										
Media Feed Adjustment value	0										

Appendix

Med-Thick

Item	Pass Mode (*: Default value)										
	300x600dpi				600x600dpi				600x1200dpi		1200x1200dpi
	1.1 pas s	1.5 pas s	2.1 pas s	3.1 pas s	2.1 pas s	2.5 pas s	3.1 pas s	4.3 pas s*	5.0 pas s	5.0pas s HD	9.0pass HD
Heater	On										
Temperature	105	105	100	85	100	90	85	75	70	70	55
Fan	Off										
Drying Time	14	19	23	33	23	27	33	46	52	52	89
Proceed to Drying after Print	Off										
Drying Action	Auto										
Platen Gap	2.0										
Feeding Tension	Lv2										
Paper Suction	Lv5										
Media Feed Speed Limitation	Off										
Pressure Roller Load	Standard										
Remove Skew	On										
Stick Prevention	Off										
Rewind Tension	Lv8	Lv8	Lv8	Lv8	Lv8	Lv8	Lv8	Lv8	Lv8	Lv8	Lv8
Print Quality Adjustment Limitation Temperature	5										
Media Feed Adjustment value	0										

Appendix

Thick













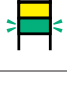

Item	Pass Mode (*: Default value)										
	300x600dpi				600x600dpi				600x1200dpi		1200x1200dpi
	1.1 pas s	1.5 pas s	2.1 pas s	3.1 pas s	2.1 pas s	2.5 pas s	3.1 pas s	4.3 pas s*	5.0 pas s	5.0 pas s HD	9.0 pas s HD
Heater	On										
Temperature	90	85	80	75	80	80	75	75	70	70	55
Fan	Off										
Drying Time	14	19	23	33	23	27	33	46	52	52	89
Proceed to Drying after Print	Off										
Drying Action	Auto										
Platen Gap	2.0										
Feeding Tension	Lv2										
Paper Suction	Lv8										
Media Feed Speed Limitation	Off										
Pressure Roller Load	Standard										
Remove Skew	On										
Stick Prevention	Off										
Rewind Tension	Lv8	Lv8	Lv8	Lv8	Lv8	Lv8	Lv8	Lv8	Lv8	Lv8	Lv8
Print Quality Adjustment Limitation Temperature	15										
Media Feed Adjustment value	0										

How to read the signal lamps

The signal lamps indicate the status of the printer as shown in the following table. The lamps are, in order from the top, red, yellow, and green.

The following table is for standard settings. These settings may have been changed to suit your operating environment.

Appendix

	Green	Yellow	Red	Status	Explanation
	Off	Off	Off	Power off	The power is off.
	Off	Flashing	Off	Starting/stopping operations	Doing start up operations after the power is turned on, or doing shut down operations after the power is turned off.
	On	Off	Off	Idling	Idling in a normal state. Ready to print.
	Flashing	Off	Off	Printing	Printing in a normal state.
	On	On	Off	Consumable near end (idling)	Printing is possible, but printing will not be possible when the consumables need to be replaced.
	Flashing	On	Off	Consumable near end (printing)	Printing can continue, but printing will stop and not be possible when the consumables need to be replaced.
	Off	On	Off	Printing cannot start	Printing not possible in current state for such reasons as a cover is open or a consumable is not loaded.
	Off	Off	On	Error (recoverable)	An error has occurred so printing is not possible. Resolve the error and printing can be done.
	Off	Off	Flashing	Fatal error (service call)	An error has occurred that cannot be resolved, so printing is not possible.
	On	Flashing	Off	Doing maintenance (jobs can be received)	A maintenance function is being executed. Print jobs can be received.
	Off	Flashing	Off	Doing maintenance (jobs cannot be received)	A maintenance function is being executed. Print jobs cannot be received.
	On	On	Off	Pause mode (printing stopped)	Printing is stopped.
	Flashing	On	Off	Pause mode (waiting to stop printing)	Waiting to stop printing. Printing continues to the end of the page, and then stops.
	Off	On	Off	Offline (jobs cannot be received)	The connection to the computer is offline. Print jobs cannot be received.

Appendix

System Requirements

Each software can be used in the following environments. (As of February, 2021)

The supported operating systems may change.

For the latest information, see the Epson Web site.

Epson Edge Dashboard

The Epson Edge Dashboard can be used in the following environments.

Important:

Make sure the computer on which the Epson Edge Dashboard is installed meets the following requirements. If these requirements are not met, the software cannot monitor the printer correctly.

- Disable your computer's hibernate function.*
- Disable the sleep function so that the computer does not enter sleep status.*

Windows

Operating systems	Windows 7 SP1 / Windows 7 x64 SP1 Windows 8 / Windows 8 x64 Windows 8.1 / Windows 8.1 x64 Windows 10 / Windows 10 x64
CPU	Multi-core processor (3.0 GHz or more recommended)
Free memory	4 GB or more
Hard disk (free space during installation)	2 GB or more
Display resolution	1280 x 1024 or better
Communication interface	High Speed USB Ethernet 1000Base-T
Browser	Internet Explorer 11 Microsoft Edge

Mac

Operating systems	Mac OS X 10.7 Lion or later
CPU	Multi-core processor (3.0 GHz or more recommended)
Free memory	4 GB or more
Hard disk (free space during installation)	2 GB or more

Appendix

Display resolution	1280 x 1024 or better
Communication interface	High Speed USB Ethernet 1000Base-T
Browser	Safari 6 or later

Linux

Distribution	Debian 8.6 64 bit (MATE desktop environment only) or later
CPU	Multi-core processor (3.0 GHz or more recommended)
Free memory	4 GB or more
Hard disk (free space during installation)	2 GB or more
Display resolution	1280 x 1024 or better
Communication interface	High Speed USB Ethernet 1000Base-T
Browser	Mozilla Firefox 45 (ESR) or later

Epson Edge Print

Operating system (OS)	Windows 7 SP1 x64 Windows 8 x64 Windows 8.1 x64 Windows 10 x64
CPU	Intel® Core™ i3 3.0GHz or faster (released after April 2014)
Free memory	8GB or more
Hard disk drive (free space during installation)	50 GB or more
Display resolution	1280 x 1024 or better
Communication interface	Hi-Speed USB Ethernet 100Base-TX/1000Base-T

We recommend installing this software on a computer with high specifications since the software will be used in combination with software applications such as Adobe Illustrator.

Also, this software normally handles data that is several GB in size, and in some cases may be tens of GB in size particularly when performing high quality banner printing jobs.

We therefore recommend using a computer with sufficient hard disk space.

Appendix

Web Config

Windows

Browser	Internet Explorer 11, Microsoft Edge, Mozilla Firefox*, Google Chrome*
---------	--

* Use the latest version

Mac

Browser	Safari*, Mozilla Firefox*, Google Chrome*
---------	---

* Use the latest version

Appendix

Specifications Table

Printer Specifications	
Printing method	On-demand ink jet
Nozzle configuration	SC-F10000H Series: 400 nozzles x 2 rows x 4 chips x 6 colors (High Density Black, Cyan, Magenta, Yellow, Light Cyan/Fluorescent Yellow, Light Magenta/Fluorescent Pink)
	SC-F10000 Series: 400 nozzles x 2 rows x 4 chips x 4 colors (High Density Black, Cyan, Magenta, Yellow)
Resolution (maximum)	1200 x 1200 dpi (With 300 x 300 dpi 16 Half Tone layers.)
Control code	ESC/P raster (undisclosed command)
Media Feed Method	Friction feed
Rated voltage (#1, #2)	AC 200 to 240 V
Rated frequency (#1, #2)	50/60 Hz
Rated current (#1, #2)	16 A
Power consumption (total for numbers #1 and #2)	SC-F10000H Series: Printing: Approx. 4.4 kW Sleep mode: Approx. 230 W Power off: Approx. 9.6 W
	SC-F10000 Series: Printing: Approx. 3.9 kW Sleep mode: Approx. 221 W Power off: Approx. 9.6 W
Temperature and humidity (without condensation)	

Printer Specifications	
Printing	10 to 35 °C (50 to 95 °F), 20 to 80% Recommended: 18 to 28 °C (64.4 to 82.4 °F), 40 to 60%
In storage (Before unpacking)	-20 to 60 °C (-4 to 140 °F), 5 to 85% (Within 120 hours at 60 °C (140 °F), within a month at 40 °C (104 °F))
In storage (Before charging ink)	-20 to 40 °C (-4 to 104 °F), 5 to 85% (Within a month at 40 °C (104 °F))
In storage (After charging ink)	5 to 35 °C (41 to 95 °F), 5 to 85%

Temperature and humidity range

Gray area: While operating
Cross-hatch line area: Recommended

The graph plots temperature (°C) on the x-axis and humidity (%) on the y-axis. The x-axis has major ticks at 10, 18, 20, 28, 30, 32, 35, and 40. The y-axis has major ticks at 20, 30, 40, 50, 60, 70, 80, and 90. A gray shaded area represents the operating range, bounded by 10°C to 35°C on the x-axis and 20% to 80% on the y-axis. A cross-hatched area represents the recommended range, bounded by 18°C to 28°C on the x-axis and 40% to 60% on the y-axis.

Appendix

Printer Specifications	
Dimension	<p>Printer</p> <p>When stored: 3710 (W) x 1303 (D) x 1886 (H) mm (146 [W] x 51.29 [D] x 74.25 [H] in.)</p> <p>When at maximum size: 3710 (W) x 1350 (D) x 1931 (H) mm (146 [W] x 53.14 [D] x 76.02 [H] in.)</p> <p>Take Up Media Holder: 280 (W) x 236 (D) x 352 (H) mm (11.02 [W] x 9.29 [D] x 13.85 [H] in.)</p> <p>Take In Media Holder: 280 (W) x 285 (D) x 352 (H) mm (11.02 [W] x 11.22 [D] x 13.85 [H] in.)</p>
	<p>Ink supply unit</p> <p>SC-F10000H Series:</p> <p>1278 (W) x 556 (D) x 541 (H) mm (50.31 [W] x 21.88 [D] x 21.29 [H] in.) (ink supply unit only)</p> <p>1278 (W) x 556 (D) x 580 (H) mm (50.31 [W] x 21.88 [D] x 22.83 [H] in.) (when 3 L ink cartridge is installed)</p> <p>1278 (W) x 556 (D) x 790 (H) mm (50.31 [W] x 21.88 [D] x 31.10 [H] in.) (when 10 L ink cartridge is installed)</p> <p>SC-F10000 Series:</p> <p>877 (W) x 556 (D) x 541 (H) mm (34.52 [W] x 21.88 [D] x 21.29 [H] in.) (ink supply unit only)</p> <p>877 (W) x 556 (D) x 580 (H) mm (34.52 [W] x 21.88 [D] x 22.83 [H] in.) (when 3 L ink cartridge is installed)</p> <p>877 (W) x 556 (D) x 790 (H) mm (34.52 [W] x 21.88 [D] x 31.10 [H] in.) (when 10 L ink cartridge is installed)</p>

Printer Specifications	
Weight*	<p>Printer</p> <p>Total weight (SC-F10000H Series): Approx. 687 kg (1515 lb.)</p> <p>Total weight (SC-F10000 Series): Approx. 683 kg (1506 lb.)</p> <p>Take Up Media Holder: Approx. 7 kg (15.43 lb.)</p> <p>Take In Media Holder: Approx. 7 kg (15.43 lb.)</p>
	<p>Ink supply unit</p> <p>SC-F10000H Series: Approx. 80 kg (176.37 lb.)</p> <p>SC-F10000 Series: Approx. 53 kg (116.84 lb.)</p>

* Ink not included.



Important:

Use this printer at altitudes below 2000 m (2591 ft.).



Warning:

This is a class A product. In a domestic environment this product may cause radio interference in which case the user may be required to take adequate measures.

For California customers only

The lithium batteries in this product contain Perchlorate Material - special handling may apply.

See www.dtsc.ca.gov/hazardouswaste/perchlorate.

Appendix

Interface Specifications	
USB port for a computer	USB 3.0 (SuperSpeed USB)
Wired LAN compliance standard	1000Base-T*1
Network printing protocols/functions	EpsonNet Print (Windows)*2 Standard TCP/IP (Windows)*3 WSD (Windows)*3 Bonjour (Mac)*3 IPP (Windows)*3 IPP (Mac)*3 FTP*3

Interface Specifications	
Security standards/protocols	IEEE802.1X (Ethernet)
	IPsec (v4/v6), IP filtering
	SSL/TLS:
	HTTPS Server (Web Config)
	IPPS Server
	SMTPTS Client (Email send)
	STARTTLS (SMTPTS)
Root certificate (client)	
Root certificate version 2.01	
Root certificate update (client)	
CA-signed certificate (server)	
CA certificate	
CSR generation (server)	
Self-signed certificate (server)	
EC key CSR/self-signed certificate generation (server)	
Certificate, secret key import	
OpenSSL version: 1.0.2j	
Supported TLS versions: 1.0/1.1/1.2	
Authentication for email sending:	
POP before SMTP	
APOP	
SMTP authentication (Kerberos/NTLMv1/CRAM-MD5/PLAIN/LOGIN)	
Authentication for IPP printing:	
HTTP Basic authentication	
MIB access authentication, encryption: SNMPv3	

*1 Use a shielded twisted pair cable (category 5e or better).

*2 IPv4 compliant.

*3 IPv4 and IPv6 compliant.

Appendix

Ink Specifications	
Type	Special ink cartridges
Sublimation dye ink	SC-F10000H Series: High Density Black, Cyan, Magenta, Yellow, Light Cyan, Light Magenta, Fluorescent Yellow, Fluorescent Pink
	SC-F10000 Series: High Density Black, Cyan, Magenta, Yellow
Use by date	See the date printed on the ink cartridge (stored at normal temperature)
Print quality guarantee expiry	Six months (from date ink cartridge is opened)
Storage temperature	5 to 35 °C (41 to 95 °F)
Ink cartridge capacity	10000 ml, 3000 ml
Ink cartridge dimensions	10000 ml: 150 (W) × 235 (D) × 412 (H) mm (5.90 [W] × 9.25 [D] × 16.22 [H] in.)
	3000 ml: 158 (W) × 260 (D) × 168 (H) mm (6.22 [W] × 10.23 [D] × 6.61 [H] in.)

Note:

To ensure the colors you want to print, maintain a constant room temperature of 18 to 28 °C (64.4 to 82.4 °F).

Information of EU declaration of conformity

The full text of the EU declaration of conformity of this equipment is available at the following internet address.

<http://www.epson.eu/conformity>

Where To Get Help

Technical Support Web Site

Epson's Technical Support Web Site provides help with problems that cannot be solved using the troubleshooting information in your product documentation. If you have a Web browser and can connect to the Internet, access the site at:

<https://support.epson.net/>

If you need the latest drivers, FAQs, manuals, or other downloadables, access the site at:

<https://www.epson.com>

Then, select the support section of your local Epson Web site.

Contacting Epson Support

Before Contacting Epson

If your Epson product is not operating properly and you cannot solve the problem using the troubleshooting information in your product documentation, contact Epson support services for assistance. If Epson support for your area is not listed below, contact the dealer where you purchased your product.

Epson support will be able to help you much more quickly if you give them the following information:

- Product serial number
(The serial number label is usually on the back of the product.)
- Product model
- Product software version
(Click **About**, **Version Info**, or similar button in the product software.)
- Brand and model of your computer
- Your computer operating system name and version
- Names and versions of the software applications you normally use with your product

Where To Get Help

Help for Users in North America

Visit www.epson.com/support (U.S.) or www.epson.ca/support (Canada) and search for your product to download software and utilities, view manuals, get FAQs and troubleshooting advice, or contact Epson.

Epson provides technical support and information on the installation, configuration, and operation of professional printing products through the Epson Preferred Limited Warranty Plan. Dial (888) 377-6611, 6 AM to 6 PM, Pacific Time, Monday through Friday. Days and hours of support are subject to change without notice. Before you call, make sure you have your printer serial number and proof of purchase.

Note:

If you experience difficulty with the toll-free line, call (562) 276-1305.

Note:

For help using any other software on your system, see the documentation for that software for technical support information.

Purchase Supplies and Accessories

You can purchase genuine Epson ink, paper, and accessories from an Epson authorized reseller. To find the nearest reseller, visit proimaging.epson.com (U.S.) or proimaging.epson.ca (Canada), select your product series and product, and click the **Where to Buy** button. Or call 800-GO-EPSON (800-463-7766) in the U.S. or 800-807-7766 in Canada.

Help for Users in Latin America

If you need additional help with your Epson product, contact Epson.

Epson provides these technical support services:

Internet Support

Visit Epson's support website at www.latin.epson.com/support (Caribbean), www.epson.com.br/suporte (Brazil), or www.latin.epson.com/soporte (other regions) for solutions to common problems. You can download drivers and documentation, get FAQs and troubleshooting advice, or e-mail Epson with your questions.

Speak to a Support Representative

Before you call Epson for support, please have the following information ready:

- Product name
- Product serial number (located on a label on the product)
- Proof of purchase (such as a store receipt) and date of purchase
- Computer configuration
- Description of the problem

Then call:

Country	Telephone
Argentina	(54 11) 5167-0300 0800-288-37766
Bolivia*	800-100-116
Brazil	0800-007-5000
Chile	(56 2) 2484-3400
Colombia	Bogota: (57 1) 592-2200 Other cities: 018000-915235
Costa Rica	800-377-6627
Dominican Republic*	1-888-760-0068
Ecuador*	1-800-000-044
El Salvador*	800-6570
Guatemala*	1-800-835-0358
Mexico	Mexico City: (52 55) 1323-2052 Other cities: 01-800-087-1080
Nicaragua*	00-1-800-226-0368
Panama*	00-800-052-1376
Paraguay	009-800-521-0019
Peru	Lima: (51 1) 418-0210 Other cities: 0800-10-126
Uruguay	00040-5210067

Where To Get Help

Country	Telephone
Venezuela	(58 212) 240-1111

* Contact your local phone company to call this toll-free number from a mobile phone.

If your country does not appear in the list, contact the sales office in the nearest country. Toll or long distance charges may apply.

Purchase Supplies and Accessories

You can purchase genuine Epson ink, paper, and accessories from an Epson authorized reseller. To find the nearest reseller, visit www.epson.com.jm (Caribbean), www.epson.com.br (Brazil), or www.latin.epson.com (other regions) or call your nearest Epson sales office.

Help for Users in Europe

Check your **Pan-European Warranty Document** for information on how to contact Epson support.

Help for Users in Taiwan

Contacts for information, support, and services are:

World Wide Web (<https://www.epson.com.tw>)

Information on product specifications, drivers for download, and products enquiry are available.

Epson HelpDesk (Phone: +0800212873)

Our HelpDesk team can help you with the following over the phone:

- Sales enquiries and product information
- Product usage questions or problems
- Enquiries on repair service and warranty

Repair service center:

Telephone number	Fax number	Address
02-23416969	02-23417070	No.20, Beiping E. Rd., Zhongzheng Dist., Taipei City 100, Taiwan
02-27491234	02-27495955	1F., No.16, Sec. 5, Nanjing E. Rd., Songshan Dist., Taipei City 105, Taiwan
02-32340688	02-32340699	No.1, Ln. 359, Sec. 2, Zhongshan Rd., Zhonghe City, Taipei County 235, Taiwan
039-605007	039-600969	No.342-1, Guangrong Rd., Luodong Township, Yilan County 265, Taiwan
038-312966	038-312977	No.87, Guolian 2nd Rd., Hualien City, Hualien County 970, Taiwan
03-4393119	03-4396589	5F., No.2, Nandong Rd., Pingzhen City, Taoyuan County 32455, Taiwan (R.O.C.)
03-5325077	03-5320092	1F., No.9, Ln. 379, Sec. 1, Jingguo Rd., North Dist., Hsinchu City 300, Taiwan
04-23011502	04-23011503	3F., No.30, Dahe Rd., West Dist., Taichung City 40341, Taiwan (R.O.C.)
04-23805000	04-23806000	No.530, Sec. 4, Henan Rd., Nantun Dist., Taichung City 408, Taiwan
05-2784222	05-2784555	No.463, Zhongxiao Rd., East Dist., Chiayi City 600, Taiwan
06-2221666	06-2112555	No.141, Gongyuan N. Rd., North Dist., Tainan City 704, Taiwan
07-5520918	07-5540926	1F., No.337, Minghua Rd., Gushan Dist., Kaohsiung City 804, Taiwan

Where To Get Help

Telephone number	Fax number	Address
07-3222445	07-3218085	No.51, Shandong St., Sanmin Dist., Kaohsiung City 807, Taiwan
08-7344771	08-7344802	1F., No.113, Shengli Rd., Pingtung City, Pingtung County 900, Taiwan

Help for Users in Australia/New Zealand

Epson Australia/New Zealand wishes to provide you with a high level of customer service. In addition to your product documentation, we provide the following sources for obtaining information:

Your Dealer

Don't forget that your dealer can often help identify and resolve problems. The dealer should always be the first call for advise on problems; they can often solve problems quickly and easily as well as give advise on the next step to take.

Internet URL

Australia

<https://www.epson.com.au>

New Zealand

<https://www.epson.co.nz>

Access the Epson Australia/New Zealand World Wide Web pages.

The site provides a download area for drivers, Epson contact points, new product information and technical support (e-mail).

Epson Helpdesk

Epson Helpdesk is provided as a final backup to make sure our clients have access to advice. Operators on the Helpdesk can aid you in installing, configuring and operating your Epson product. Our Pre-sales Helpdesk staff can provide literature on new Epson products and advise where the nearest dealer or service agent is located. Many types of queries are answered here.

The Helpdesk numbers are:

Australia	Phone:	1300 361 054
	Fax:	(02) 8899 3789
New Zealand	Phone:	0800 237 766

We encourage you to have all the relevant information on hand when you ring. The more information you prepare, the faster we can help solve the problem. This information includes your Epson product documentation, type of computer, operating system, application programs, and any information you feel is required.

Help for Users in Singapore

Sources of information, support, and services available from Epson Singapore are:

World Wide Web

<https://www.epson.com.sg>

Information on product specifications, drivers for download, Frequently Asked Questions (FAQ), Sales Enquiries, and Technical Support via e-mail are available.

Epson HelpDesk (Toll Free: 800-120-5564)

Our HelpDesk team can help you with the following over the phone:

- Sales enquiries and product information
- Product usage questions or problems
- Enquiries on repair service and warranty

Help for Users in Thailand

Contacts for information, support, and services are:

World Wide Web

<https://www.epson.co.th>

Information on product specifications, drivers for download, Frequently Asked Questions (FAQ), and e-mail are available.

Where To Get Help

Epson Hotline

(Phone: (66)2685-9899)

Our Hotline team can help you with the following over the phone:

- Sales enquiries and product information
- Product usage questions or problems
- Enquiries on repair service and warranty

Help for Users in Vietnam

Contacts for information, support, and services are:

Epson Hotline (Phone): +84 28 3925 5545

Service Center: 68 Nam Ky Khoi Nghia Street, Nguyen Thai Binh Ward, District 1, Ho Chi Minh City, Vietnam

Help for Users in Indonesia

Contacts for information, support, and services are:

World Wide Web

<https://www.epson.co.id>

- Information on product specifications, drivers for download
- Frequently Asked Questions (FAQ), Sales Enquiries, questions through e-mail

Epson Hotline

- Sales enquiries and product information
- Technical support
 - Phone (62) 21-572 4350
 - Fax (62) 21-572 4357

Epson Service Center

Jakarta Mangga Dua Mall 3rd floor No 3A/B
Jl. Arteri Mangga Dua,
Jakarta

Phone/Fax: (62) 21-62301104

Bandung Lippo Center 8th floor
Jl. Gatot Subroto No.2
Bandung

Phone/Fax: (62) 22-7303766

Surabaya Hitech Mall It IIB No. 12
Jl. Kusuma Bangsa 116 – 118
Surabaya

Phone: (62) 31-5355035
Fax: (62)31-5477837

Yogyakarta Hotel Natour Garuda
Jl. Malioboro No. 60
Yogyakarta

Phone: (62) 274-565478

Medan Wisma HSBC 4th floor
Jl. Diponegoro No. 11
Medan

Phone/Fax: (62) 61-4516173

Makassar MTC Karebosi Lt. III Kav. P7-8
Jl. Ahmad Yani No.49
Makassar

Phone: (62)411-350147/411-350148

Help for Users in Hong Kong

To obtain technical support as well as other after-sales services, users are welcome to contact Epson Hong Kong Limited.

Internet Home Page

Epson Hong Kong has established a local home page in both Chinese and English on the Internet to provide users with the following information:

- Product information

Where To Get Help

- Answers to Frequently Asked Questions (FAQs)
- Latest versions of Epson product drivers

Users can access our World Wide Web home page at:

<https://www.epson.com.hk>

Technical Support Hotline

You can also contact our technical staff at the following telephone and fax numbers:

Phone: (852) 2827-8911

Fax: (852) 2827-4383

Help for Users in Malaysia

Contacts for information, support, and services are:

World Wide Web

<https://www.epson.com.my>

- Information on product specifications, drivers for download
- Frequently Asked Questions (FAQ), Sales Enquiries, questions through e-mail

Epson Trading (M) Sdn. Bhd.

Head Office.

Phone: 603-56288288

Fax: 603-56288388/399

Epson Helpdesk

- Sales enquiries and product information (Infoline)
Phone: 603-56288222
- Enquiries on repair services & warranty, product usage and technical support (Techline)
Phone: 603-56288333

Help for Users in India

Contacts for information, support, and services are:

World Wide Web

<https://www.epson.co.in>

Information on product specifications, drivers for download, and products enquiry are available.

Helpline

For Service, Product info or to order consumables - 18004250011 (9AM - 6PM) - This is a Toll-free number.

For Service (CDMA & Mobile Users) - 3900 1600 (9AM - 6PM) Prefix local STD code

Help for Users in the Philippines

To obtain technical support as well as other after sales services, users are welcome to contact the Epson Philippines Corporation at the telephone and fax numbers and e-mail address below:

Trunk Line: (63-2) 706 2609

Fax: (63-2) 706 2665

Helpdesk Direct Line: (63-2) 706 2625

E-mail: epchelpdesk@epc.epson.com.ph

World Wide Web

<https://www.epson.com.ph>

Information on product specifications, drivers for download, Frequently Asked Questions (FAQ), and E-mail Enquiries are available.

Toll-Free No. 1800-1069-EPSON(37766)

Our Hotline team can help you with the following over the phone:

- Sales enquiries and product information
- Product usage questions or problems
- Enquiries on repair service and warranty